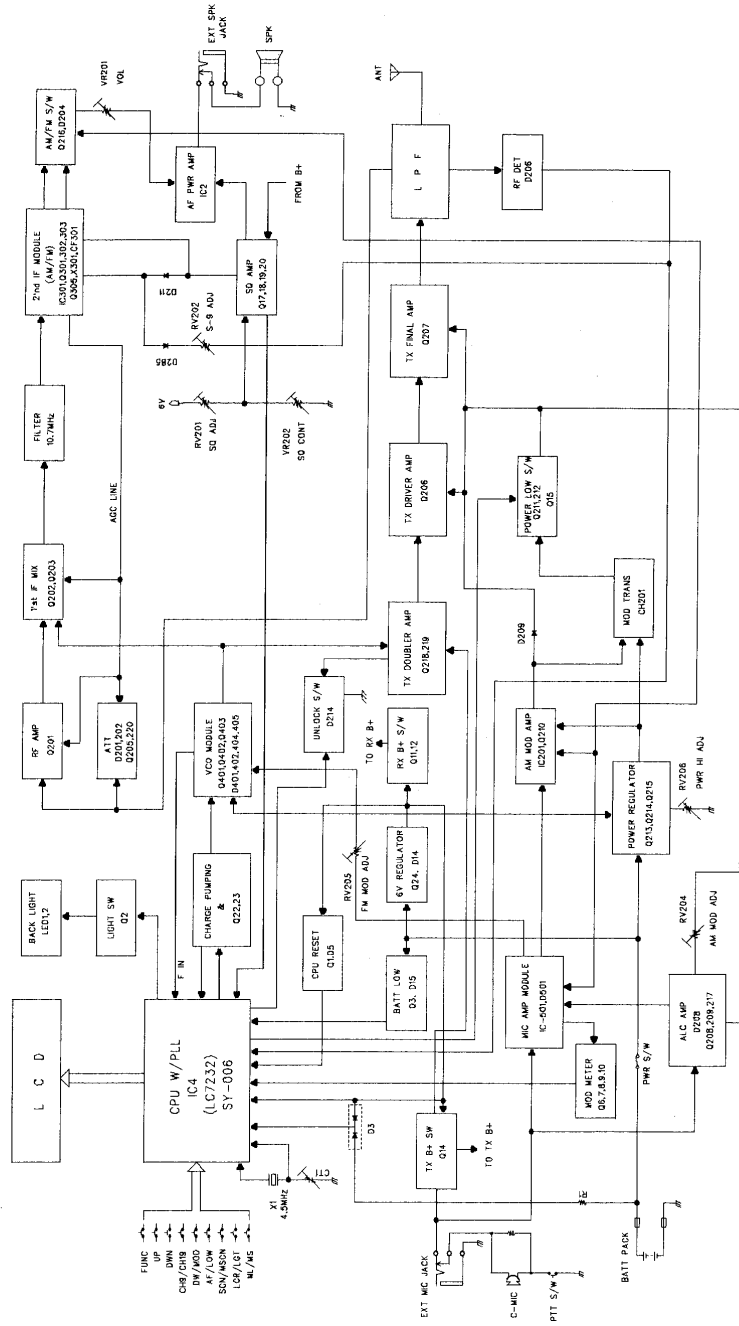
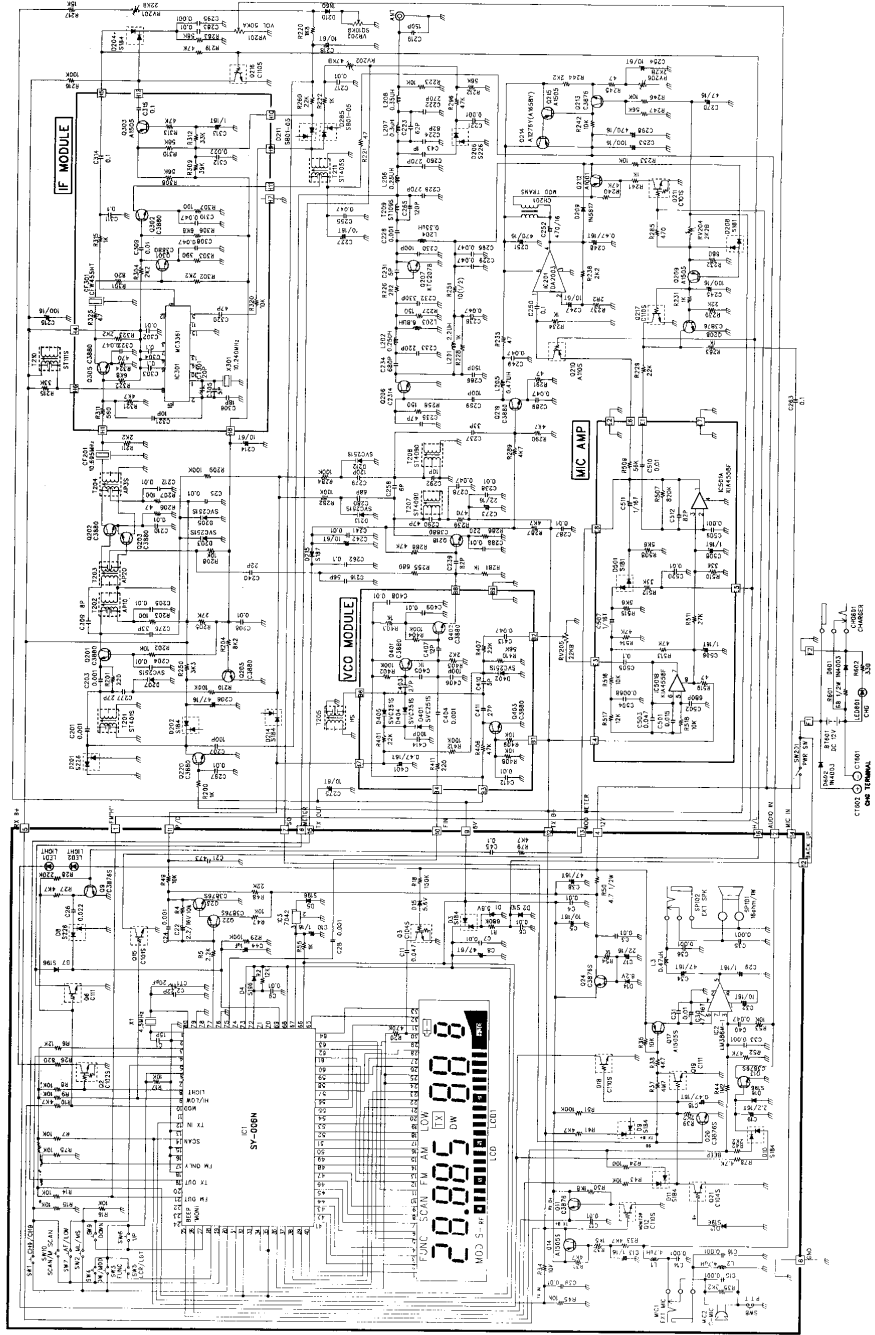


# FUNCTIONAL BLOCK DIAGRAM

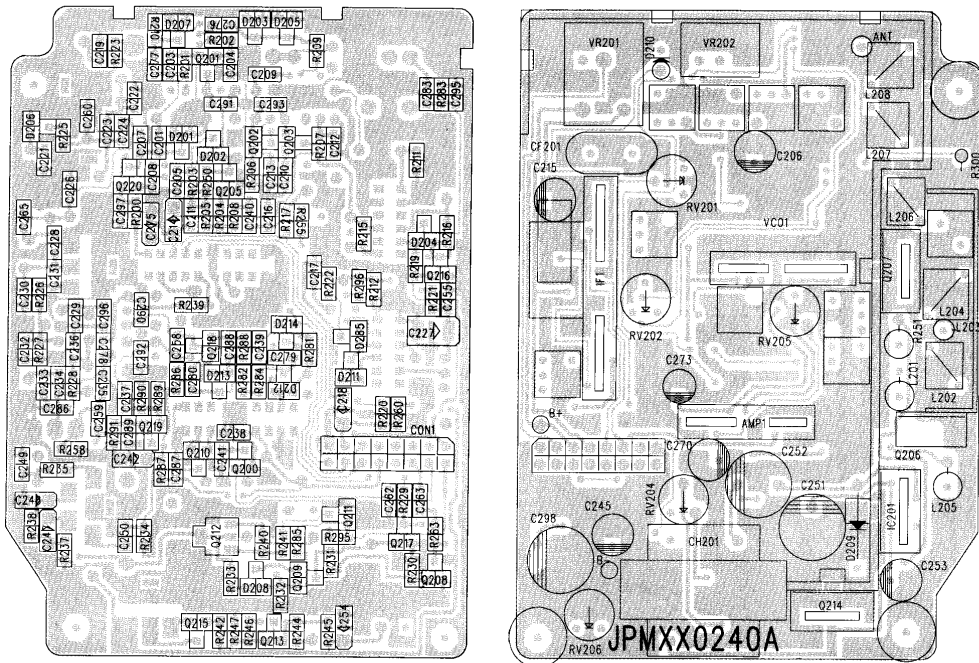


# SCHEMATIC DIAGRAM

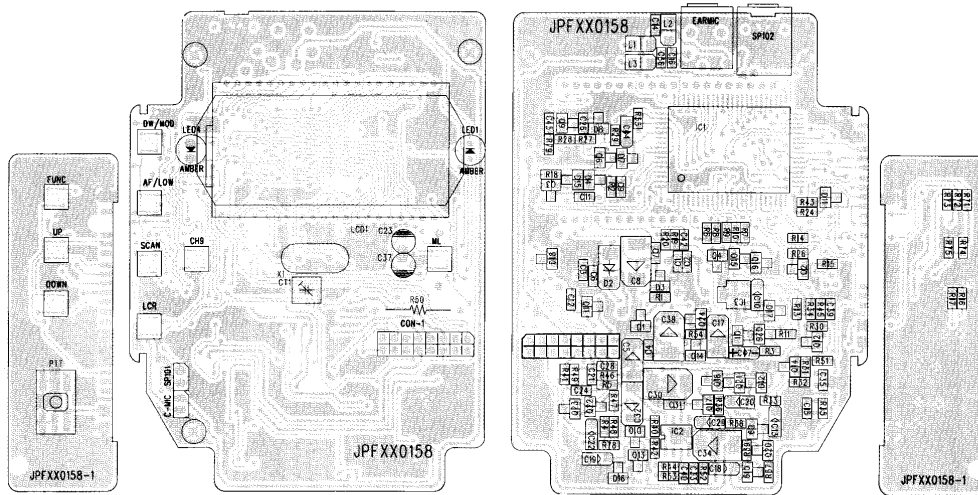




# MAIN PCB



# FRONT PCB



Scanned by IW1AXR   
  
Downloaded by   
RadioAmateur.EU