

Scanned by IW1AXR

Downloaded by
RadioAmateur.EU

INTEK SY-101

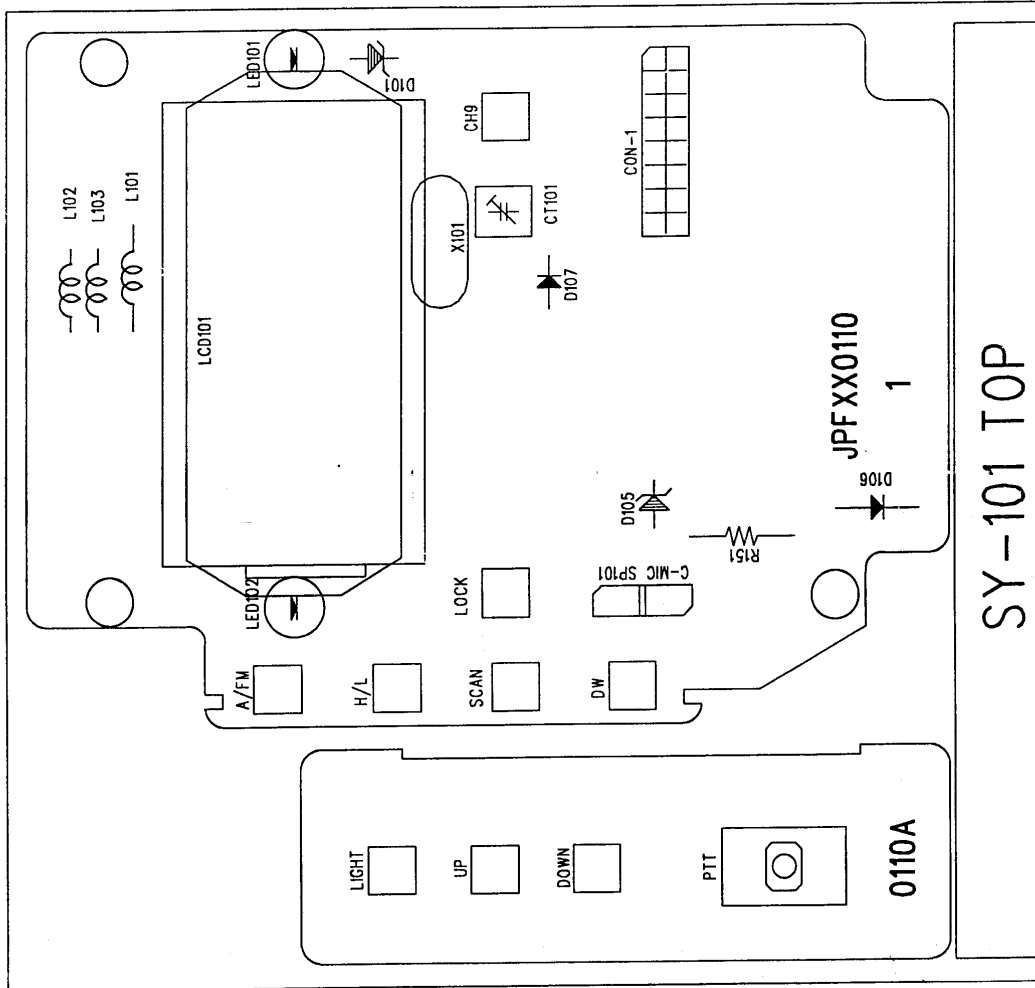
RICETRASMETTITORE PORTATILE CB

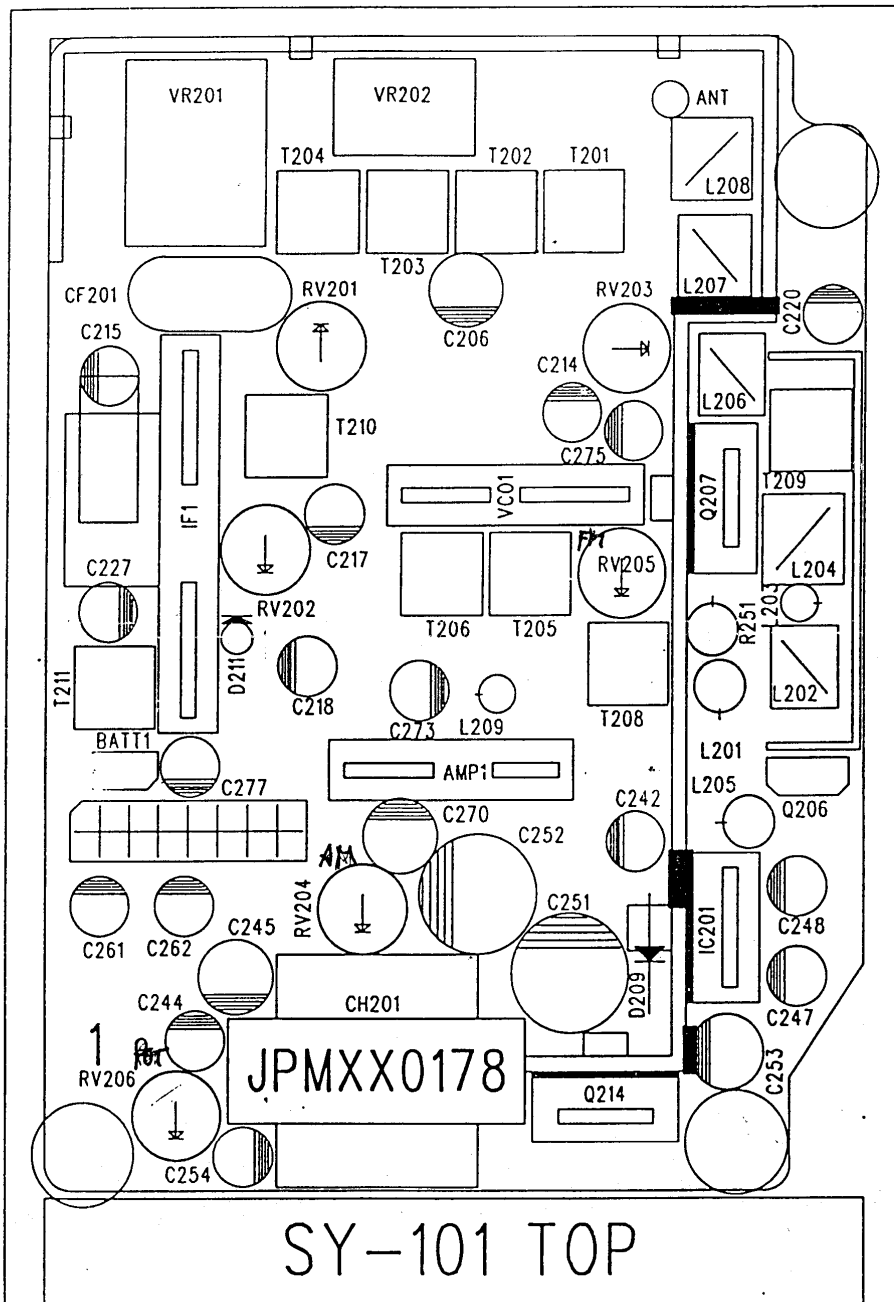
Manuale di Servizio

INTEK[®]

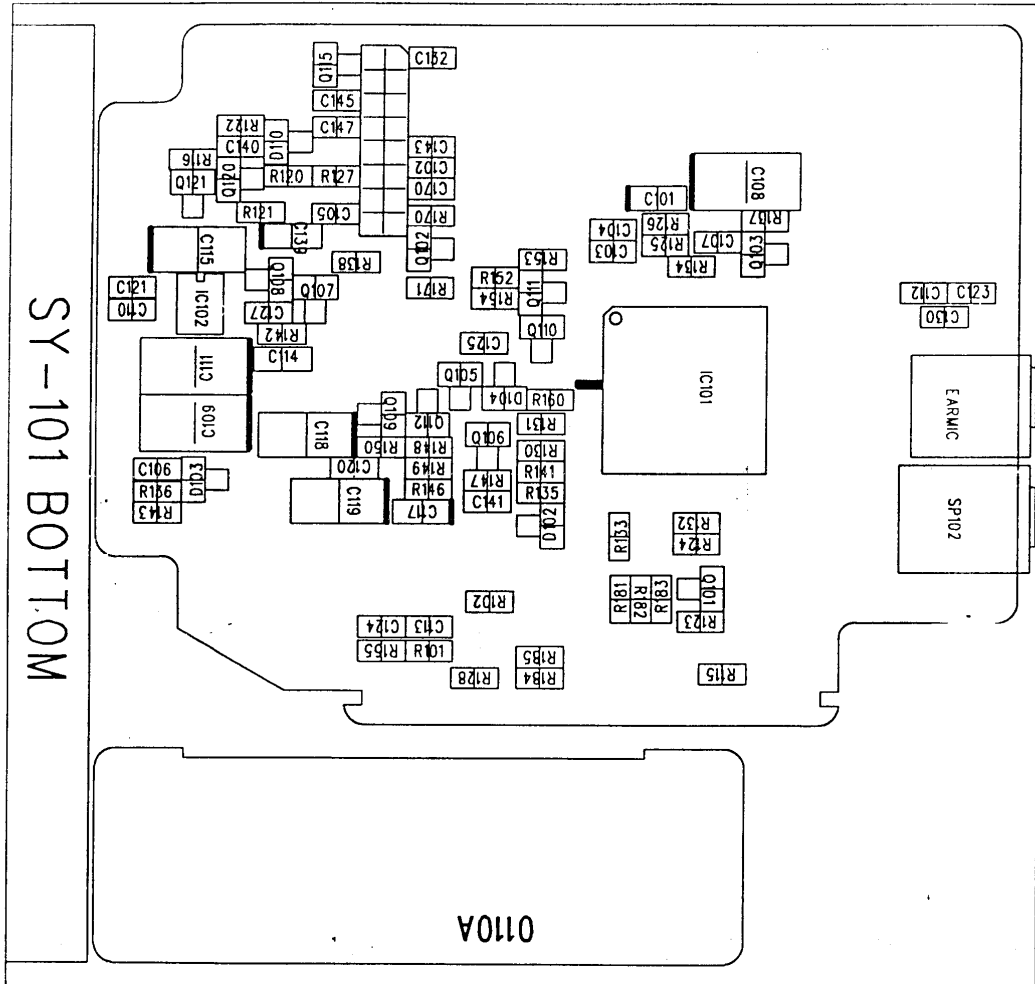
INTEK S.P.A.

S.P. n. 14 Rivotana, km 9.5, 20060 Vignate (Milano) - ITALY
Tel. (39-2) 95360470/95360478/95360387/95360395

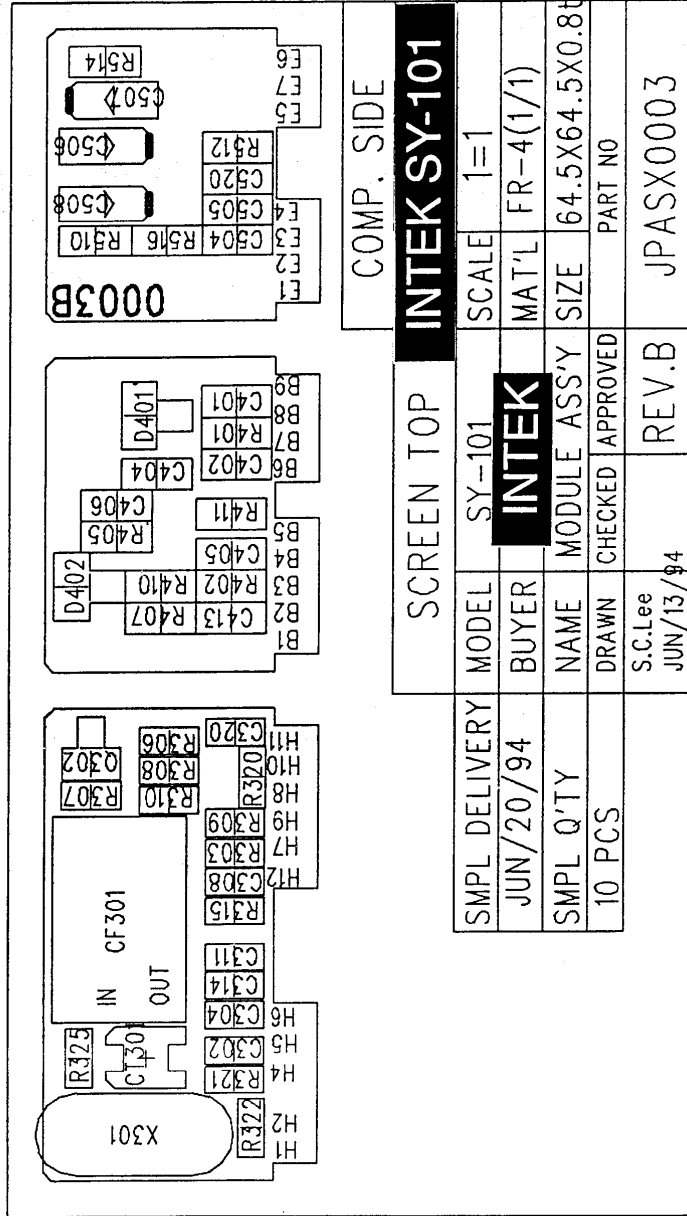


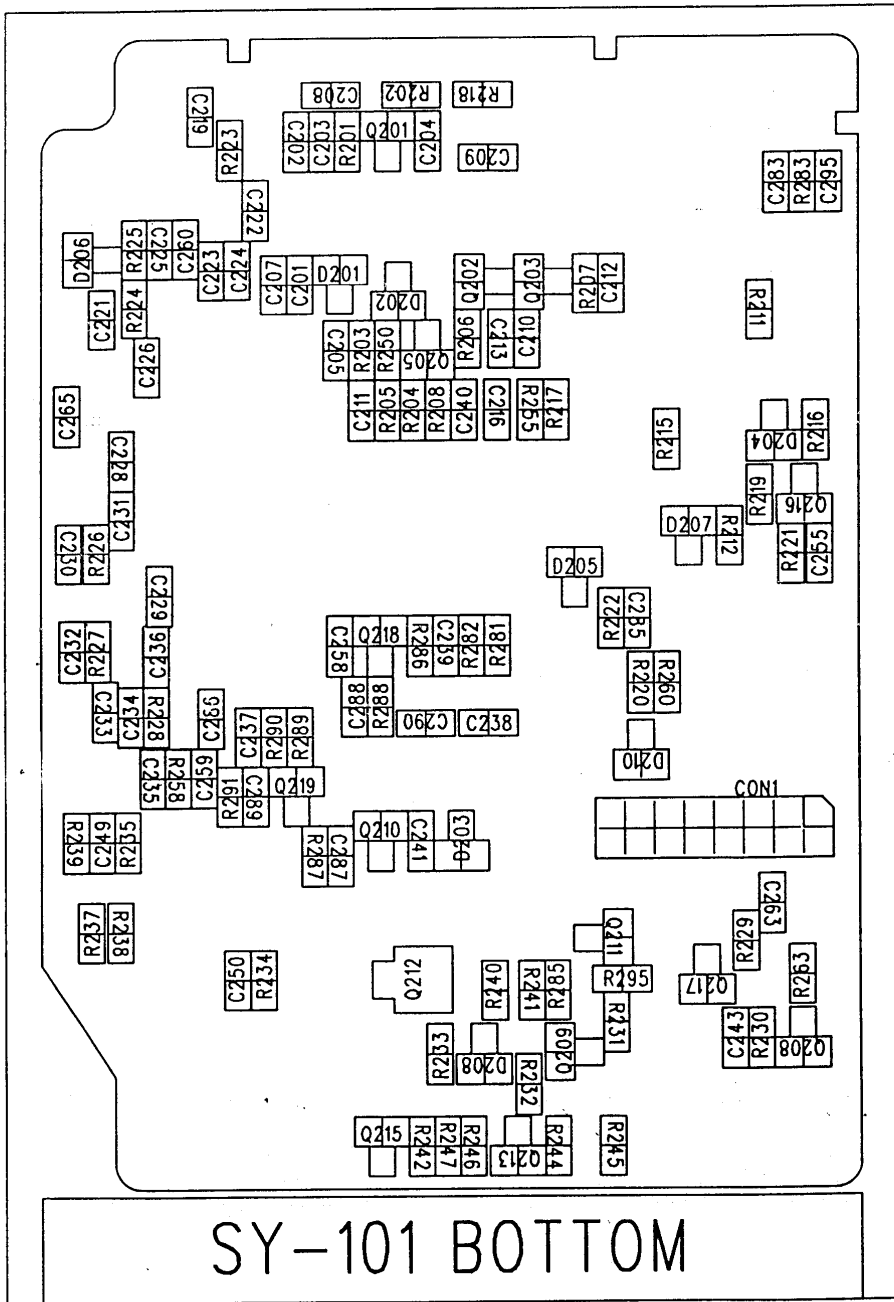


INTEK SY-101



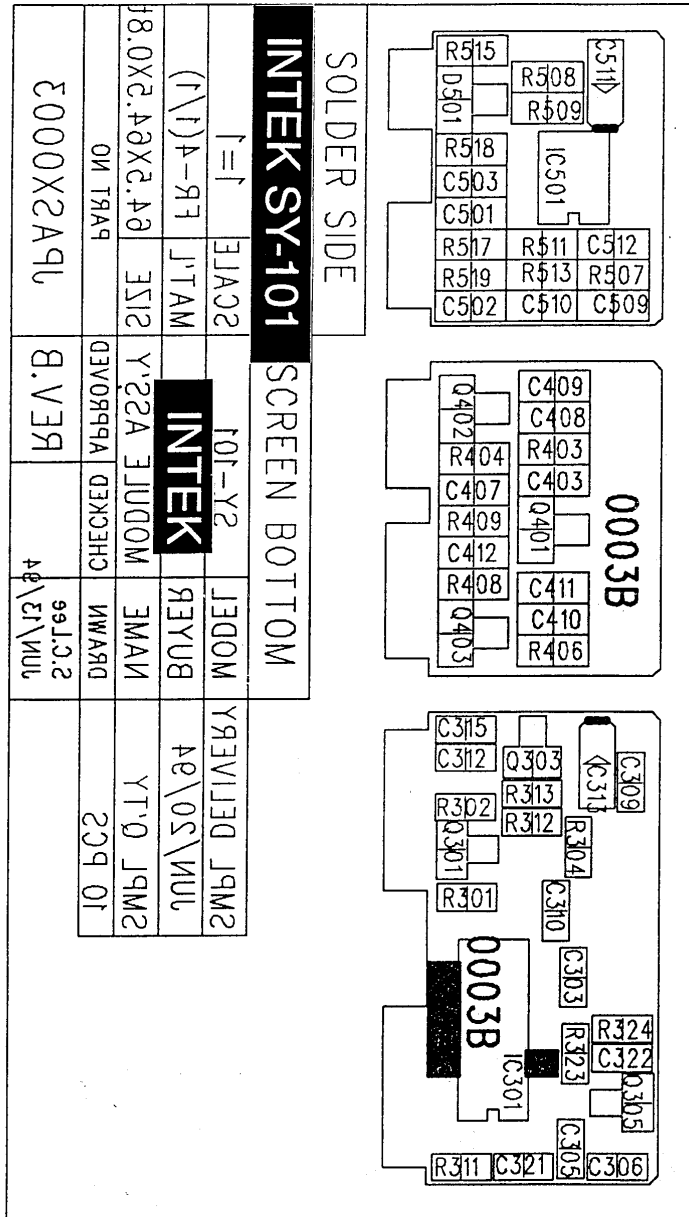
INTEK SY-101





SY-101 BOTTOM

INTEK SY-101



SY-101 RICETRASMETTITORE CB PORTATILE

NOTE PER LA MODIFICA 40/120 CANALI

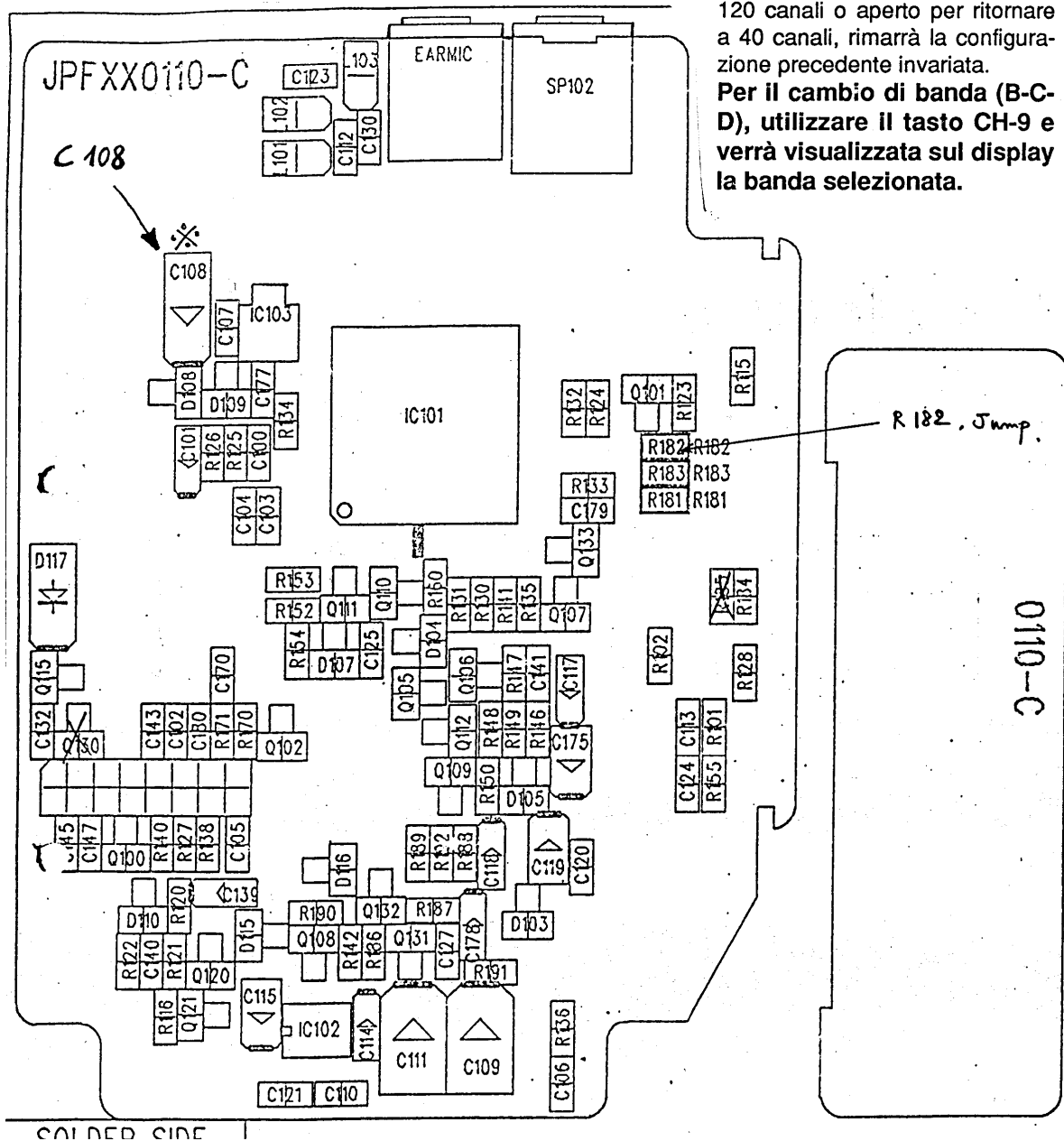
Gli apparati per il mercato italiano hanno, per omologazione, la gamma di frequenza limitata a 40 canali; è possibile estendere la gamma a 120 canali semplicemente mettendo 1 ponticello di stagno. La configurazione può essere eseguita come segue :

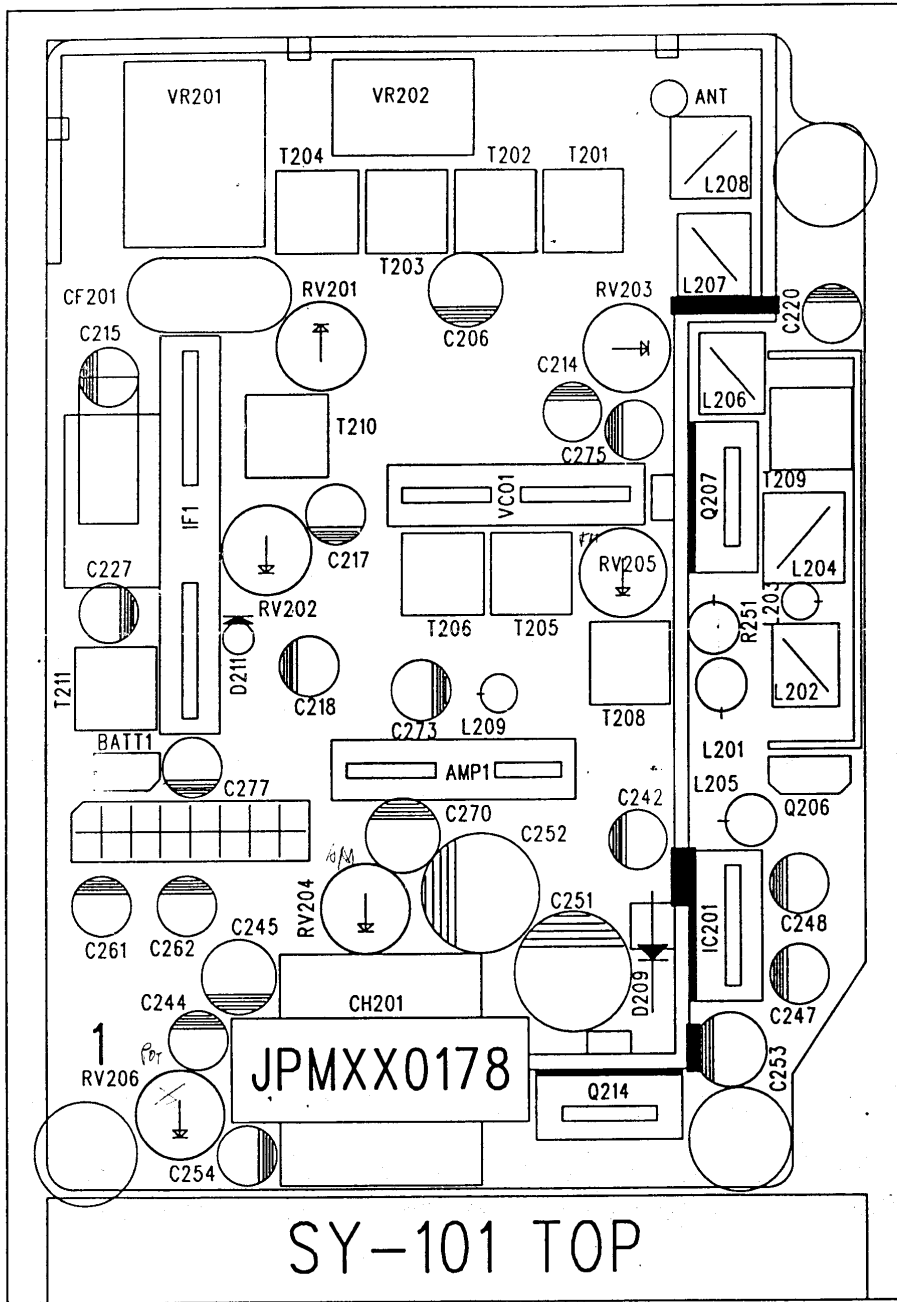
1. 40 canali con R-182 aperto (banda C).
2. 120 canali con R-182 chiuso (bande B-C-D).

N. B. Per il funzionamento dell'SY-101 una volta eseguita la modifica 40/120 o 120/40 deve essere scaricato il condensatore C-108 cortocircuitandolo per alcuni secondi.

Attenzione : se non viene scaricato il condensatore C-108 dopo aver ponticellato R-182 per avere i 120 canali o aperto per ritornare a 40 canali, rimarrà la configurazione precedente invariata.

Per il cambio di banda (B-C-D), utilizzare il tasto CH-9 e verrà visualizzata sul display la banda selezionata.

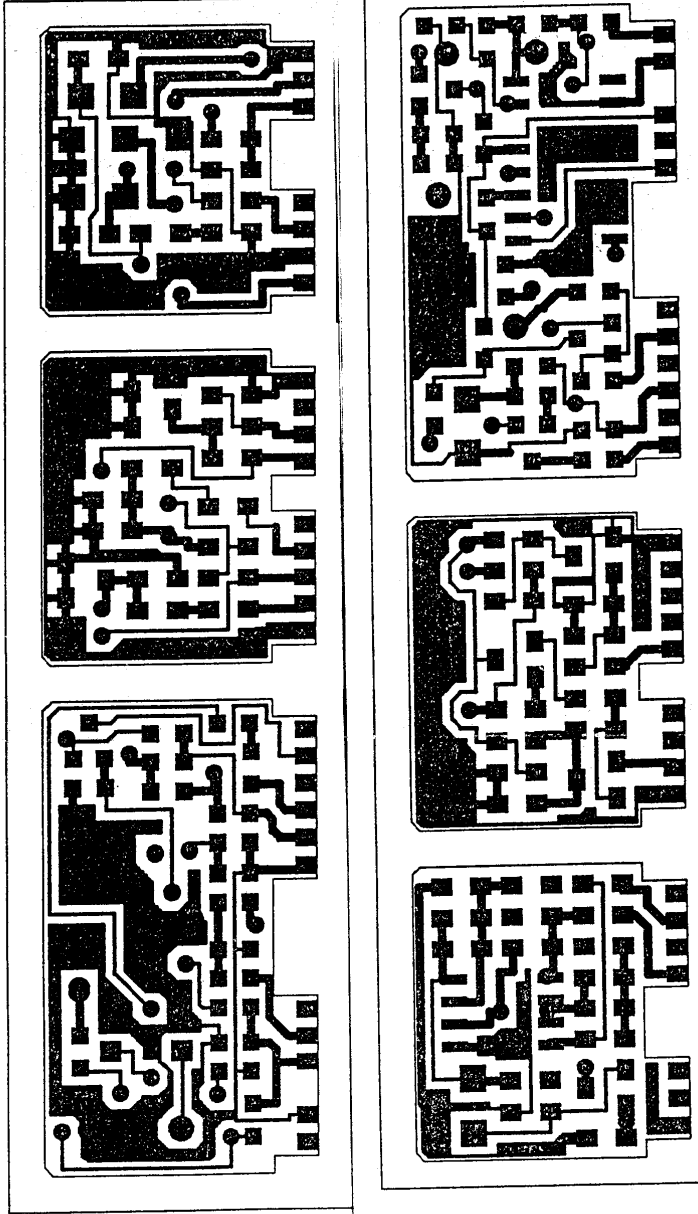


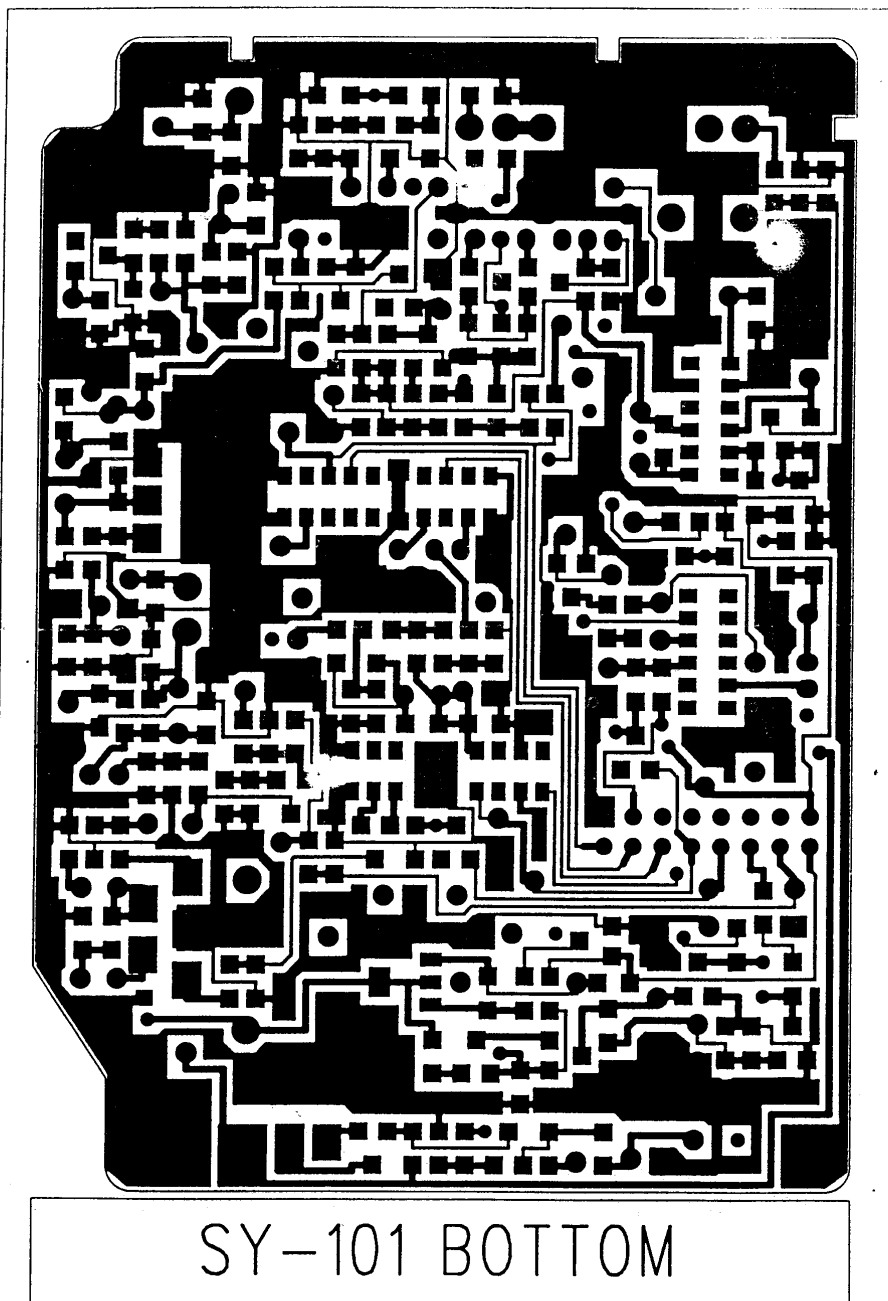


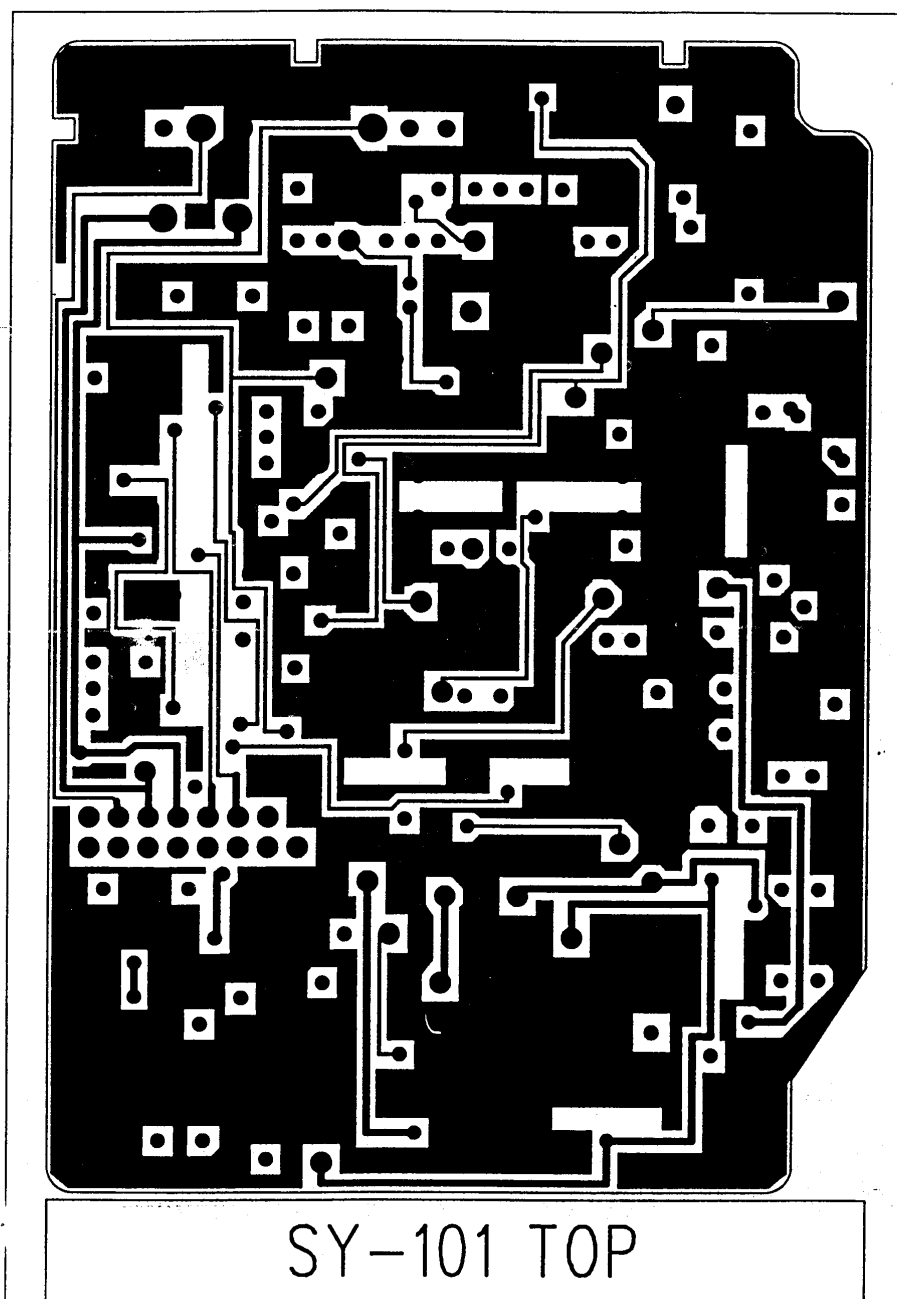
INTEK SY-101

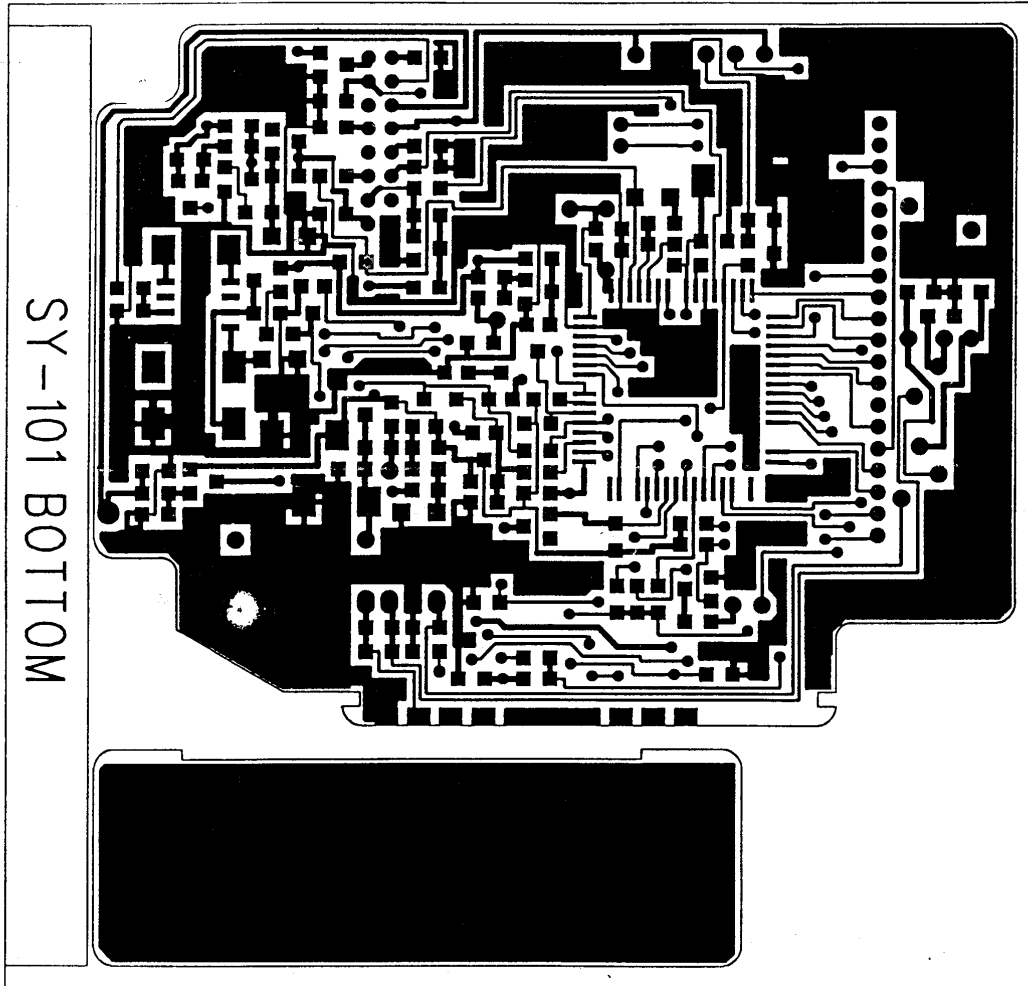
INTEK SY-101

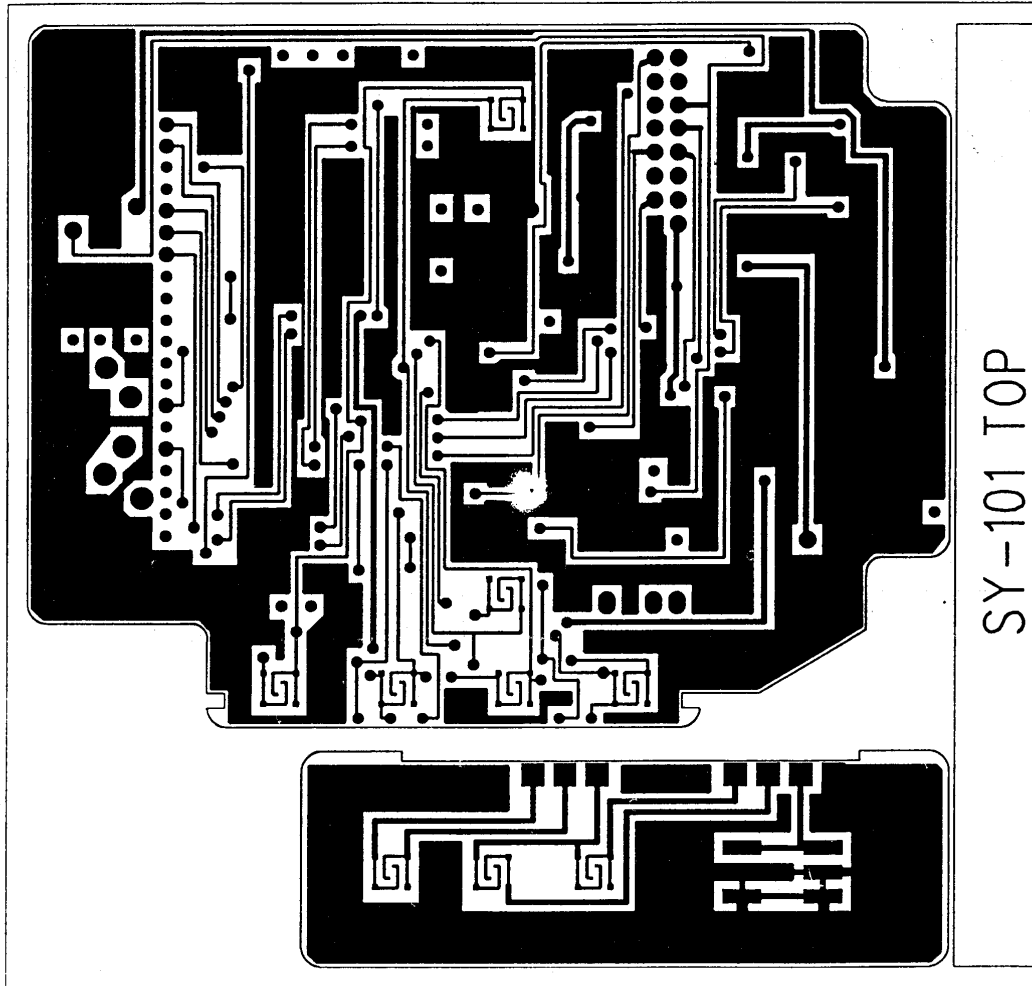
101M0-B.job - Wed Jun 29 14:11:48 1994





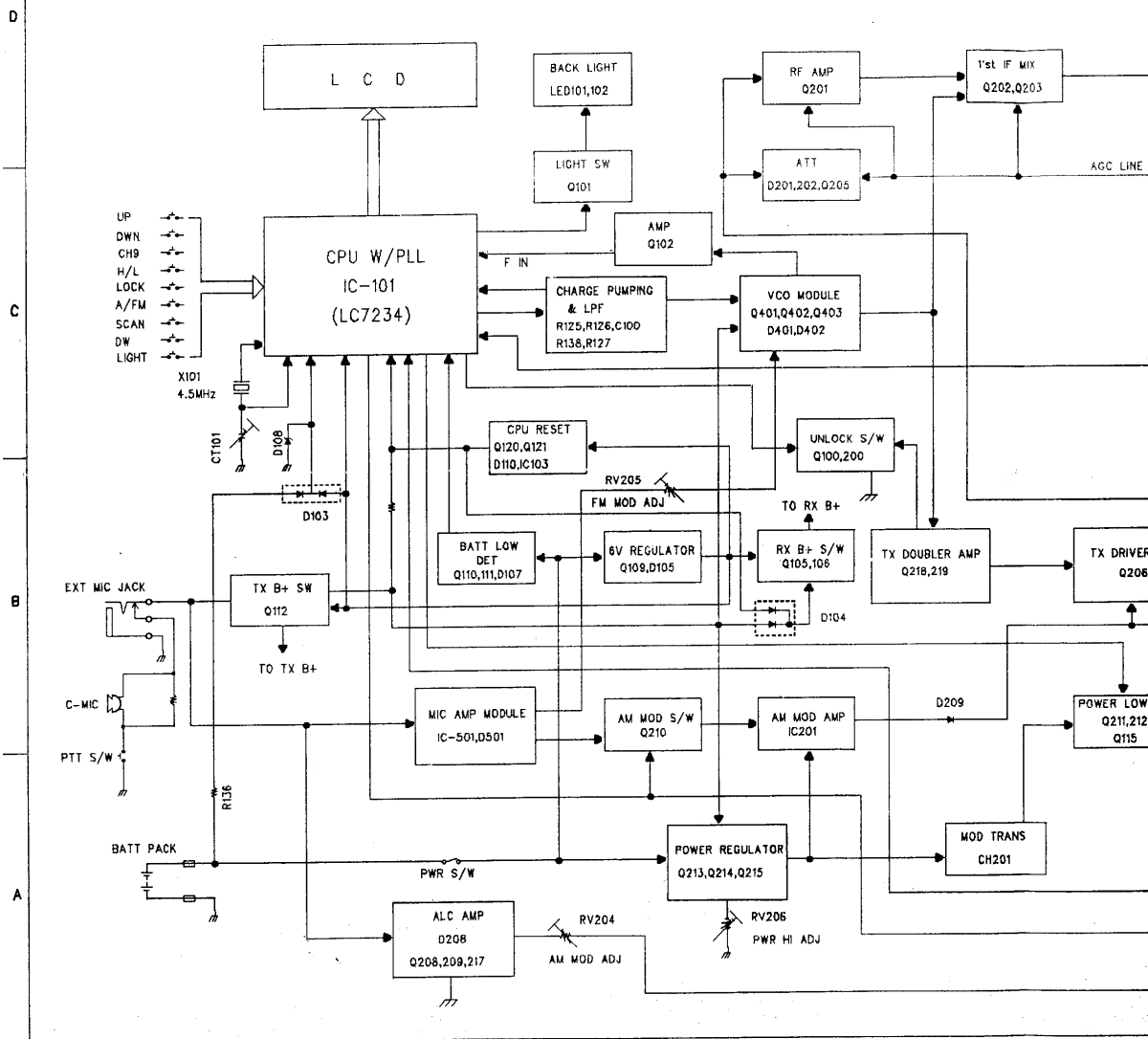


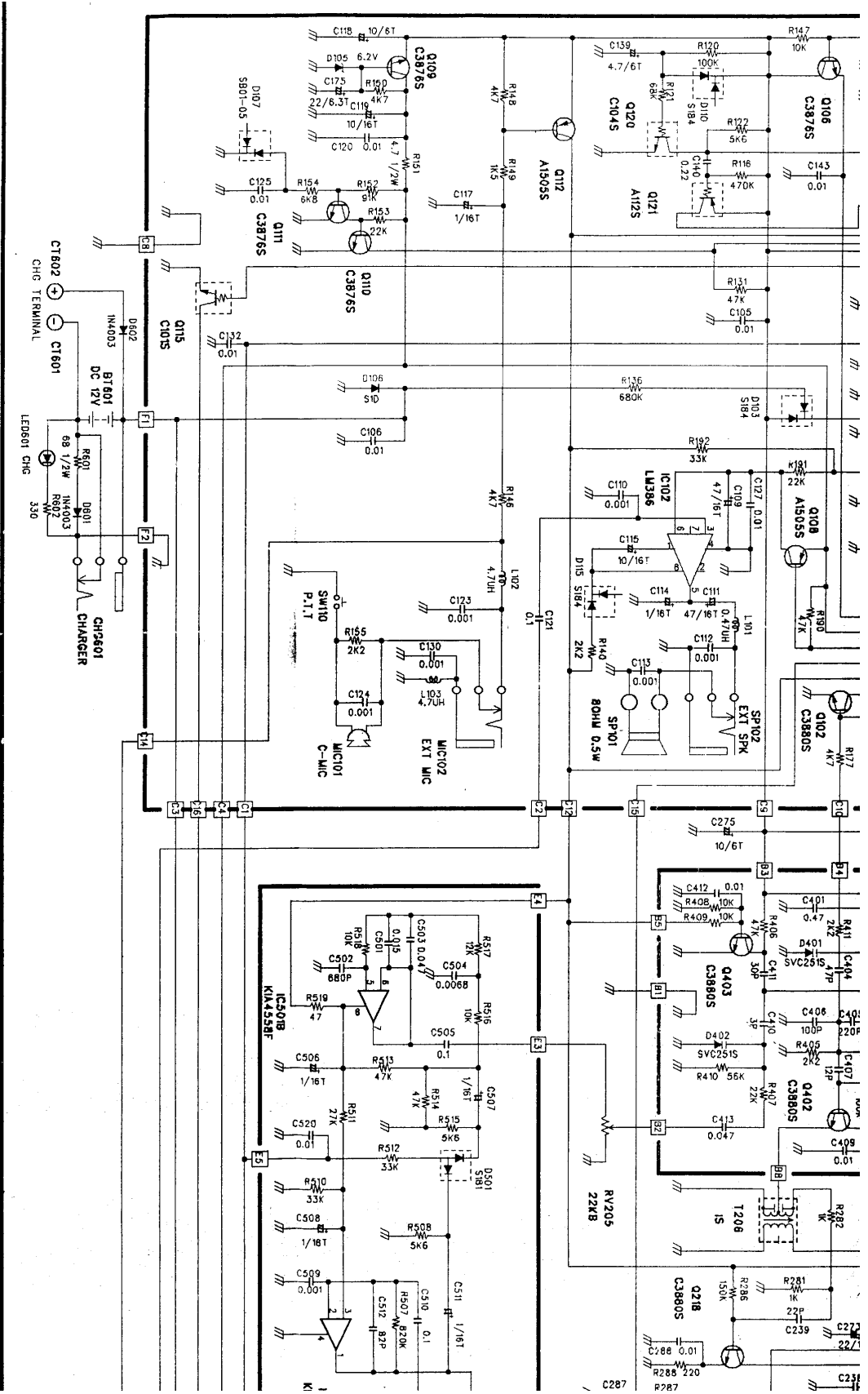




INTEK SY-101

BLOCK DIA





CT802 + CHG TERMINAL

CT801 - CHG TERMINAL

LED801 CHG

BT801 DC 12V

CHP801 CHARGER

SW10

P.T.T

MIC101 C-MIC

MIC102 EXT MIC

Q109 C3876S

Q110 C3876S

Q112 A15055S

Q108 A15055S

Q102 C3880S

Q403 C3880S

Q402 C3880S

Q218 C3880S

IC202 LM386

IC501B KIA4558F

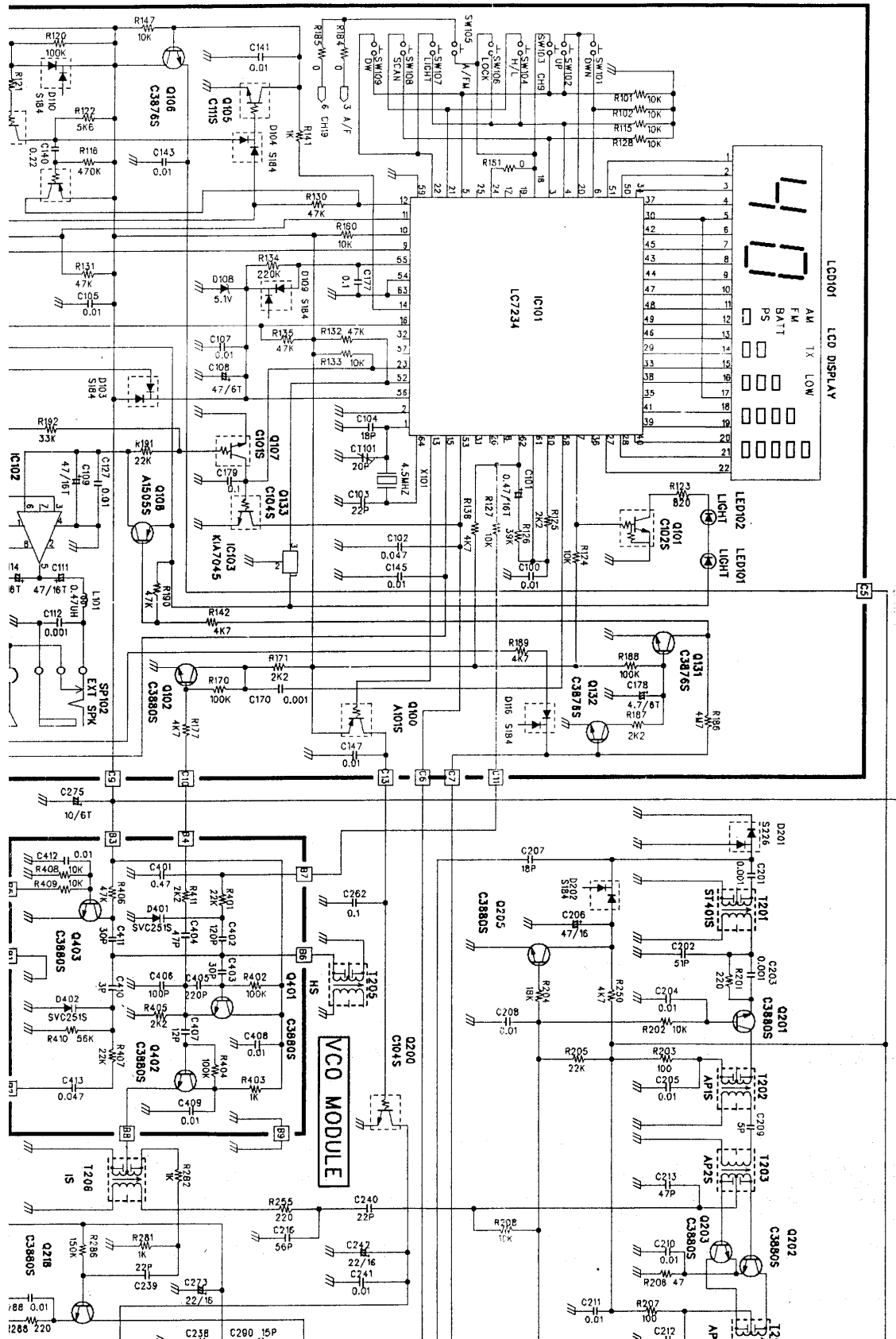
SP101 BOHM 0.5W

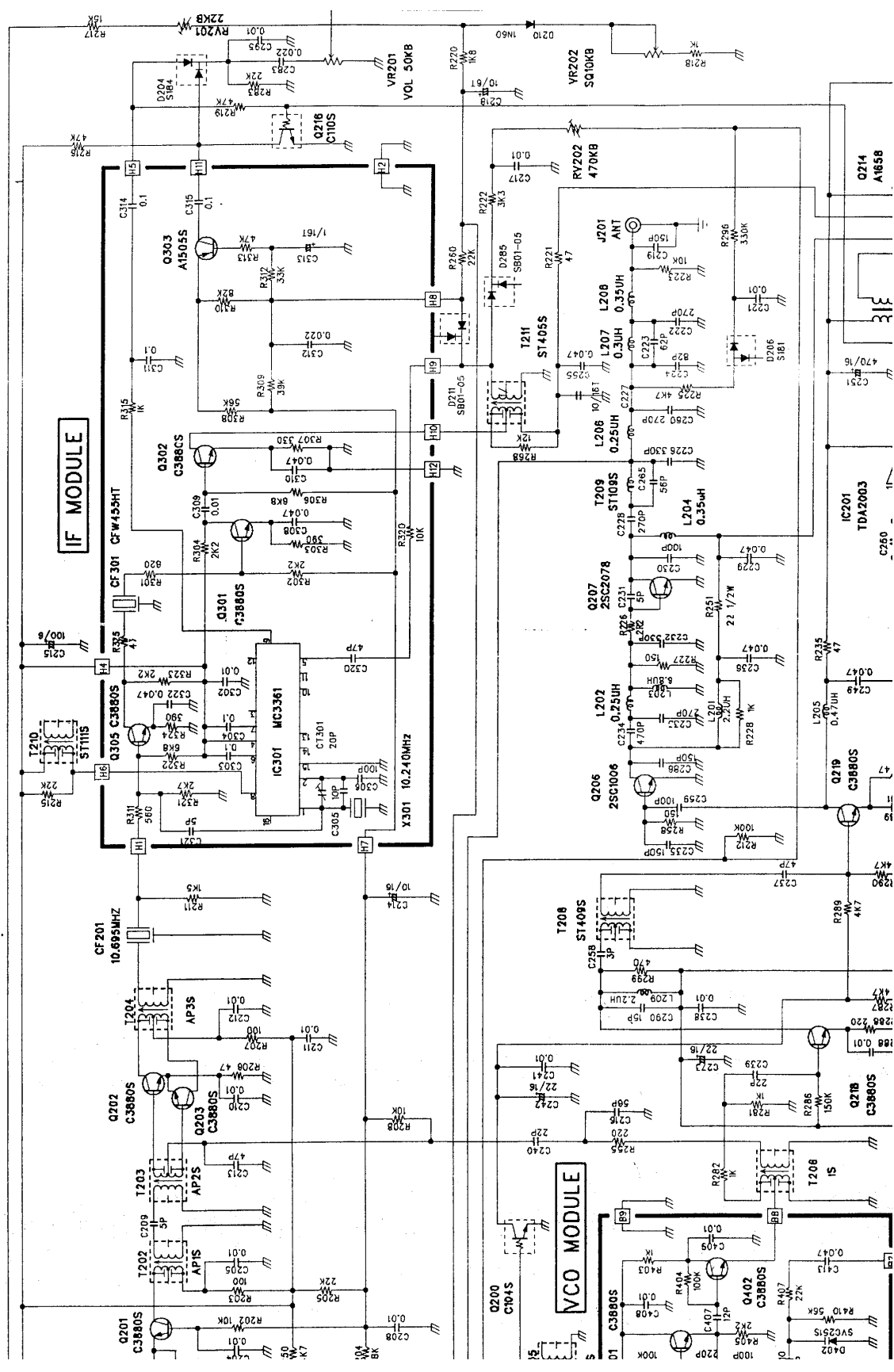
RV205 22KB

K1

R286 C3880S

RESISTOR VALUE LIST





IF MODULE

VCO MODULE

CF301 CFW45HT

CF201 10.695MHZ

Y301 10.240MHZ

IC201 TDA2003

Q214 A1658

Q219 C3880S

Q218 C3880S

Q217 C3880S

Q216 C1105

Q215 A15055

Q214 A1658

Q213 C3880S

Q212 C3880S

Q211 C3880S

Q210 C3880S

Q209 C3880S

Q208 C3880S

Q207 C3880S

Q206 C3880S

Q205 C3880S

Q204 C3880S

Q203 C3880S

Q202 C3880S

Q201 C3880S

Q200 C3880S

Q199 C3880S

Q198 C3880S

Q197 C3880S

Q196 C3880S

Q195 C3880S

Q194 C3880S

Q193 C3880S

Q192 C3880S

Q191 C3880S

Q190 C3880S

Q189 C3880S

Q188 C3880S

Q187 C3880S

Q186 C3880S

Q185 C3880S

Q184 C3880S

Q183 C3880S

Q182 C3880S

Q181 C3880S

Q180 C3880S

Q179 C3880S

Q178 C3880S

Q177 C3880S

Q176 C3880S

Q175 C3880S

Q174 C3880S

Q173 C3880S

Q172 C3880S

Q171 C3880S

Q170 C3880S

Q169 C3880S

Q168 C3880S

Q167 C3880S

Q166 C3880S

Q165 C3880S

Q164 C3880S

Q163 C3880S

Q162 C3880S

Q161 C3880S

Q160 C3880S

Q159 C3880S

Q158 C3880S

Q157 C3880S

Q156 C3880S

Q155 C3880S

Q154 C3880S

Q153 C3880S

Q152 C3880S

Q151 C3880S

Q150 C3880S

Q149 C3880S

Q148 C3880S

Q147 C3880S

Q146 C3880S

Q145 C3880S

Q144 C3880S

Q143 C3880S

Q142 C3880S

Q141 C3880S

Q140 C3880S

Q139 C3880S

Q138 C3880S

Q137 C3880S

Q136 C3880S

Q135 C3880S

Q134 C3880S

Q133 C3880S

Q132 C3880S

Q131 C3880S

Q130 C3880S

Q129 C3880S

Q128 C3880S

Q127 C3880S

Q126 C3880S

Q125 C3880S

Q124 C3880S

Q123 C3880S

Q122 C3880S

Q121 C3880S

Q120 C3880S

Q119 C3880S

Q118 C3880S

Q117 C3880S

Q116 C3880S

Q115 C3880S

Q114 C3880S

Q113 C3880S

Q112 C3880S

Q111 C3880S

Q110 C3880S

Q109 C3880S

Q108 C3880S

Q107 C3880S

Q106 C3880S

Q105 C3880S

Q104 C3880S

Q103 C3880S

Q102 C3880S

Q101 C3880S

Q100 C3880S

Q99 C3880S

Q98 C3880S

Q97 C3880S

Q96 C3880S

Q95 C3880S

Q94 C3880S

Q93 C3880S

Q92 C3880S

Q91 C3880S

Q90 C3880S

Q89 C3880S

Q88 C3880S

Q87 C3880S

Q86 C3880S

Q85 C3880S

Q84 C3880S

Q83 C3880S

Q82 C3880S

Q81 C3880S

Q80 C3880S

Q79 C3880S

Q78 C3880S

Q77 C3880S

Q76 C3880S

Q75 C3880S

Q74 C3880S

Q73 C3880S

Q72 C3880S

Q71 C3880S

Q70 C3880S

Q69 C3880S

Q68 C3880S

Q67 C3880S

Q66 C3880S

Q65 C3880S

Q64 C3880S

Q63 C3880S

Q62 C3880S

Q61 C3880S

Q60 C3880S

Q59 C3880S

Q58 C3880S

Q57 C3880S

Q56 C3880S

Q55 C3880S

Q54 C3880S

Q53 C3880S

Q52 C3880S

Q51 C3880S

Q50 C3880S

Q49 C3880S

Q48 C3880S

Q47 C3880S

Q46 C3880S

Q45 C3880S

Q44 C3880S

Q43 C3880S

Q42 C3880S

Q41 C3880S

Q40 C3880S

Q39 C3880S

Q38 C3880S

Q37 C3880S

Q36 C3880S

Q35 C3880S

Q34 C3880S

Q33 C3880S

Q32 C3880S

Q31 C3880S

Q30 C3880S

Q29 C3880S

Q28 C3880S

Q27 C3880S

Q26 C3880S

Q25 C3880S

Q24 C3880S

Q23 C3880S

Q22 C3880S

Q21 C3880S

Q20 C3880S

Q19 C3880S

Q18 C3880S

Q17 C3880S

Q16 C3880S

Q15 C3880S

Q14 C3880S

Q13 C3880S

Q12 C3880S

Q11 C3880S

Q10 C3880S

Q9 C3880S

Q8 C3880S

Q7 C3880S

Q6 C3880S

Q5 C3880S

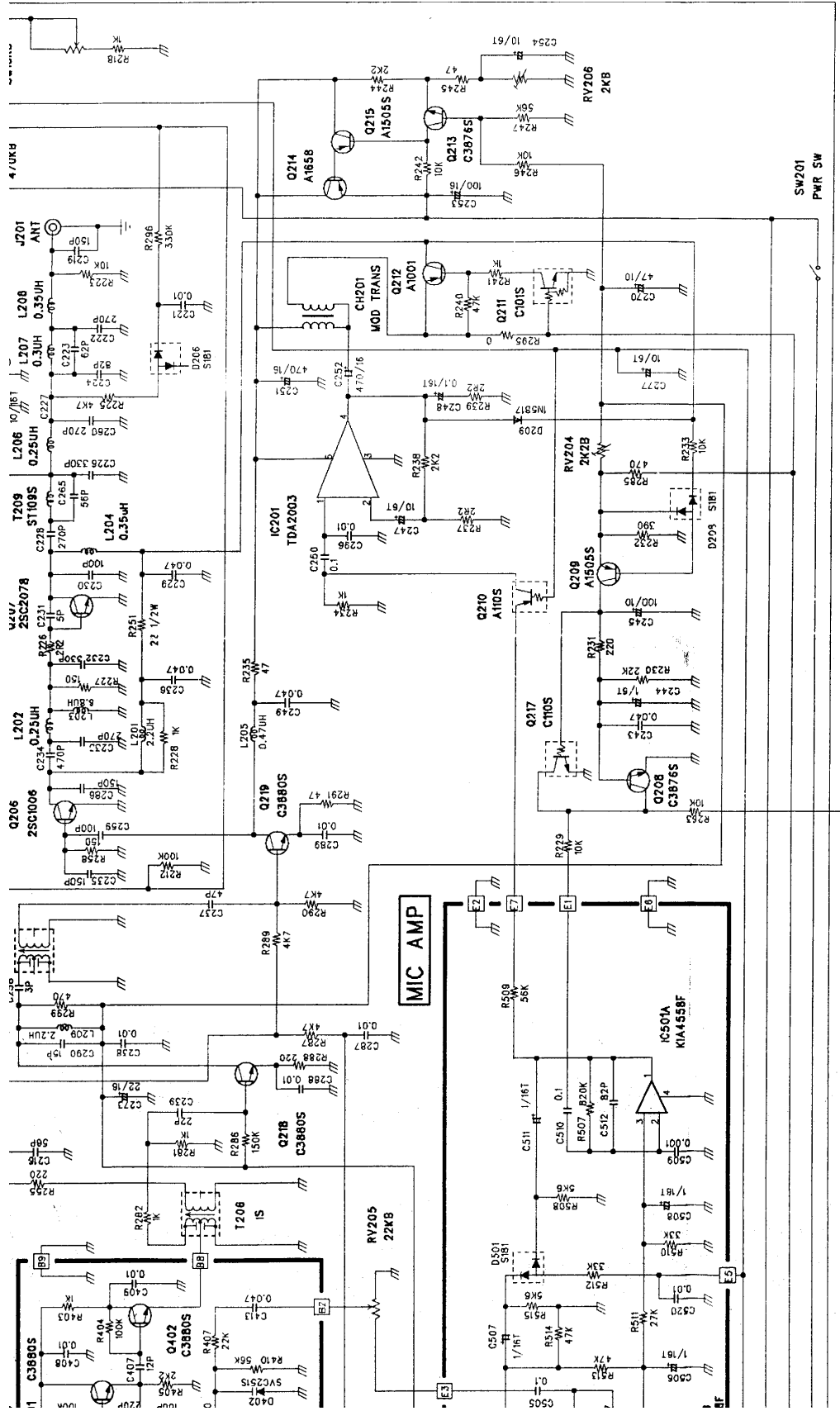
Q4 C3880S

Q3 C3880S

Q2 C3880S

Q1 C3880S

Q0 C3880S



REV.	DATE	NAME	DESCRIPTION	CH
1				
2	3.12.79			
3				
UNIT			SYNTH SUFFT	
DRW				
S.C.LEE				
JUL/04				

INTEK SY-101