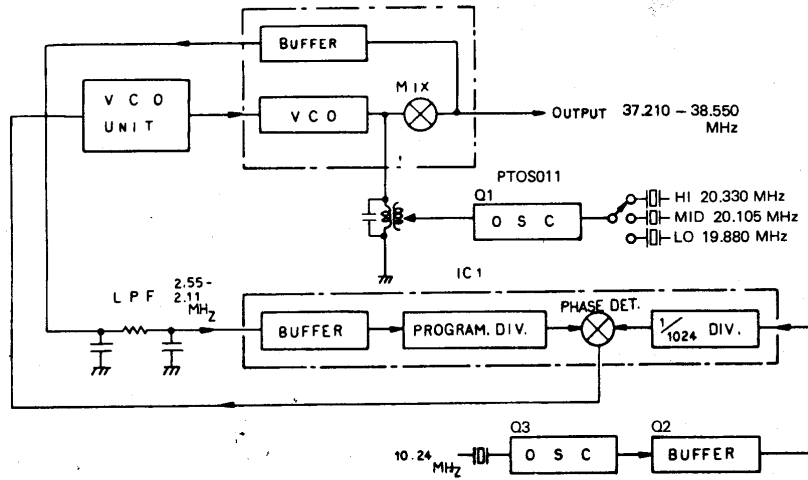
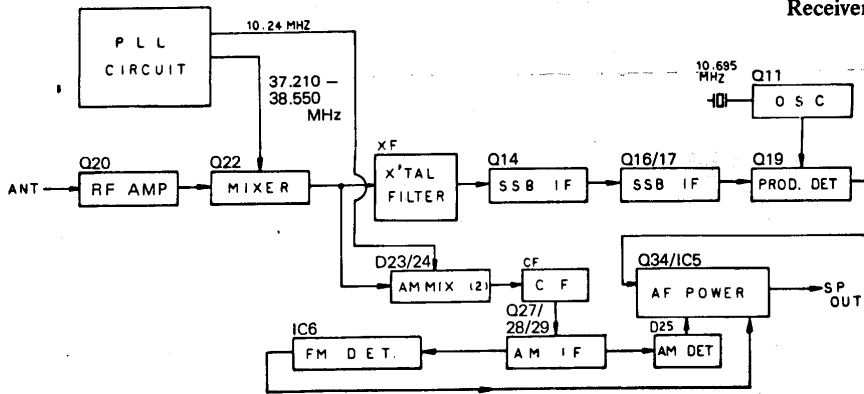


IC 2

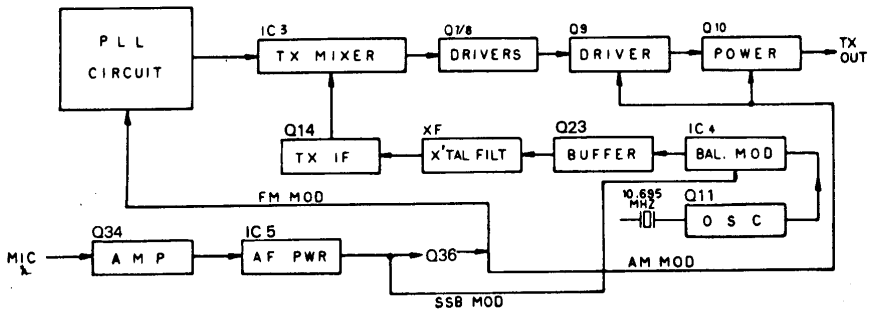
PLL Circuit

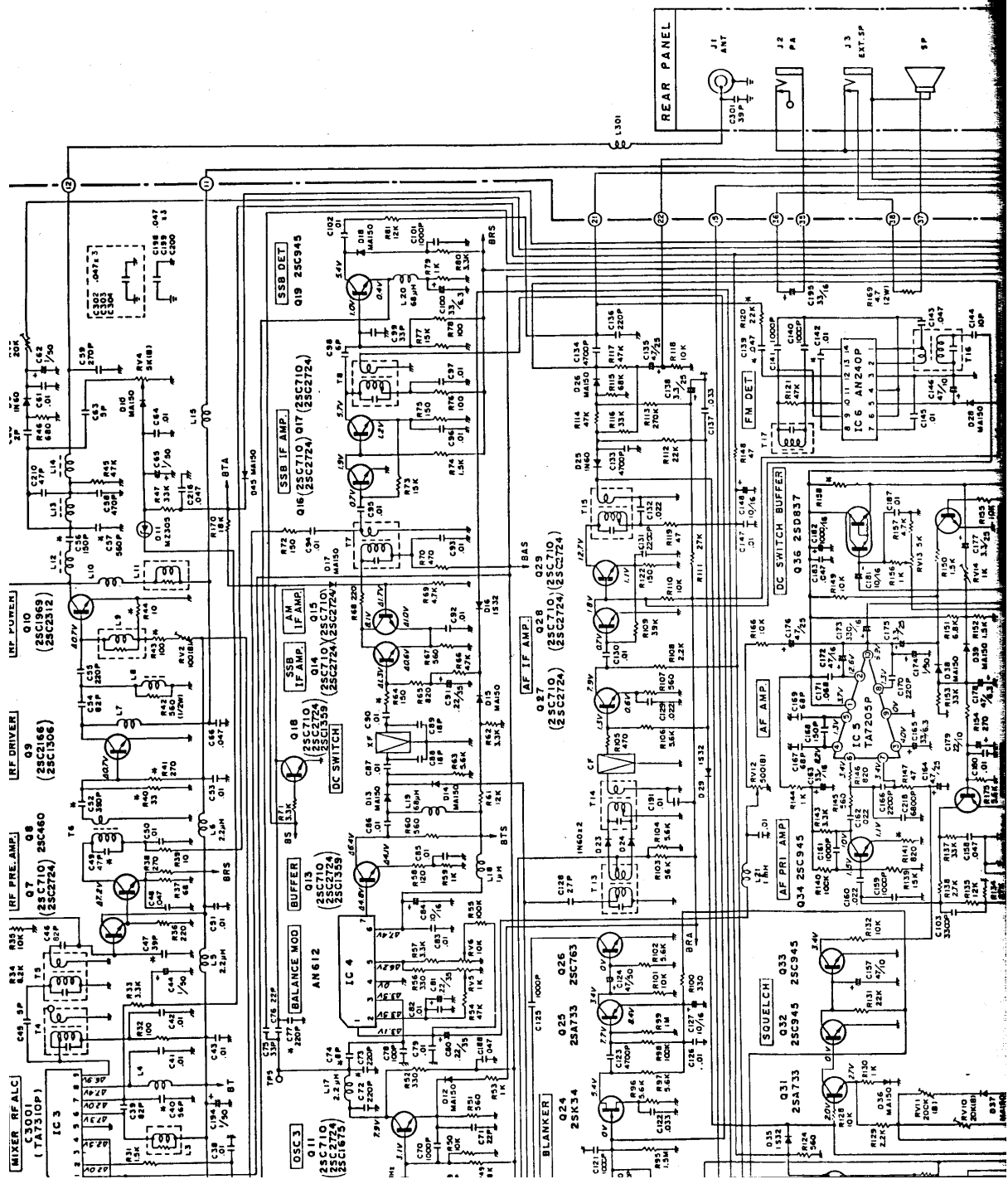


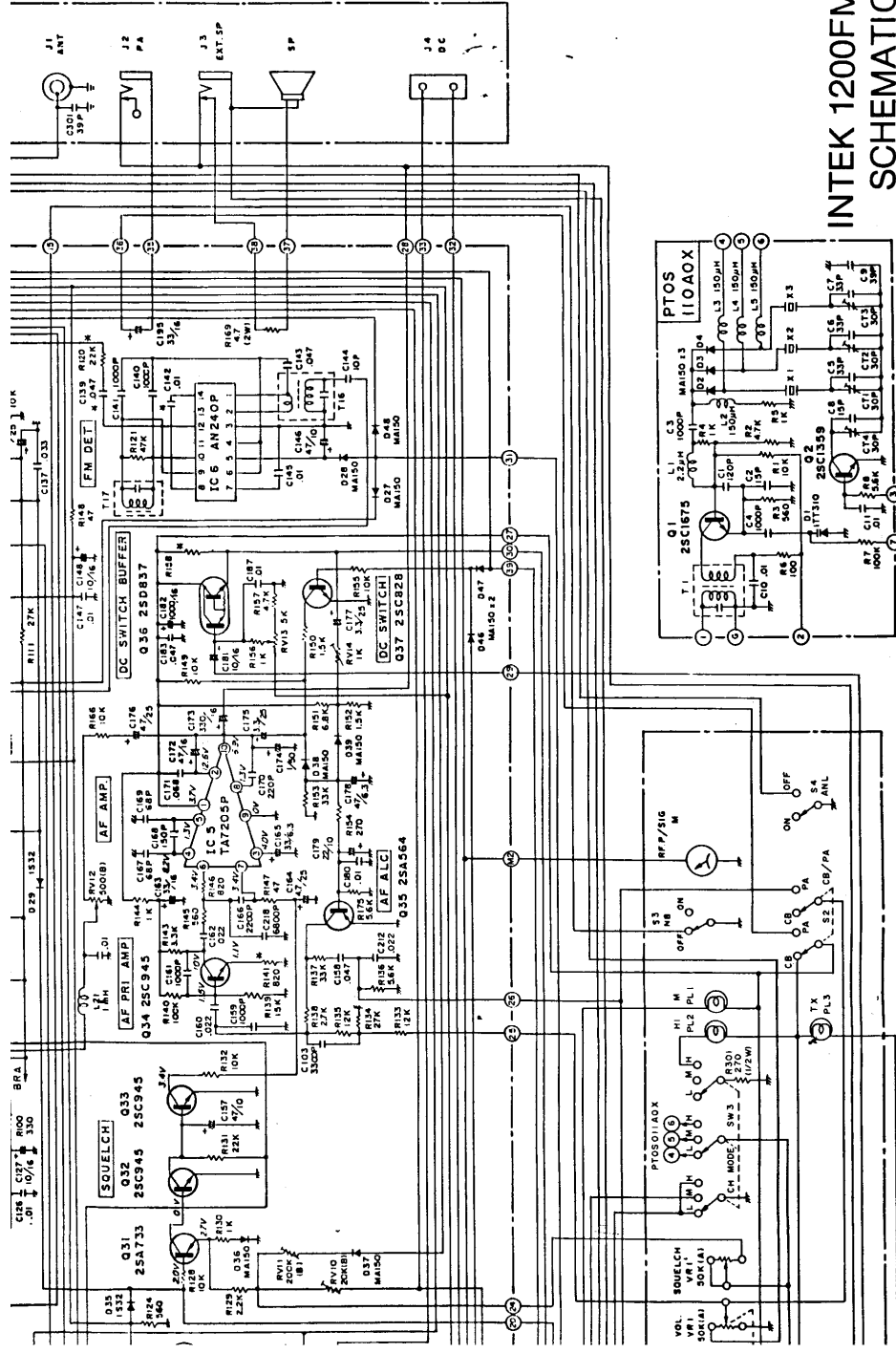
Receiver



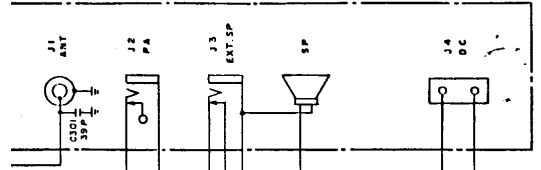
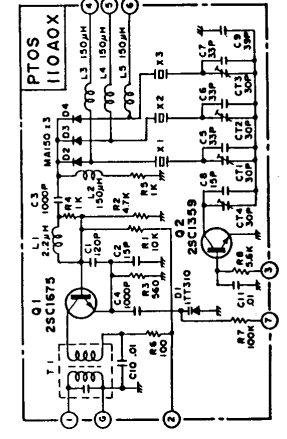
Transmitter



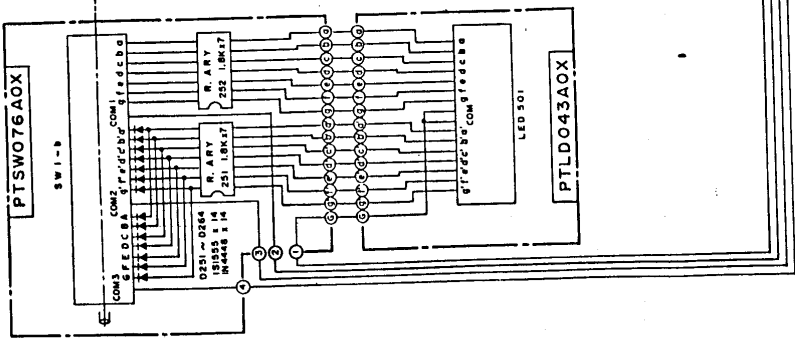
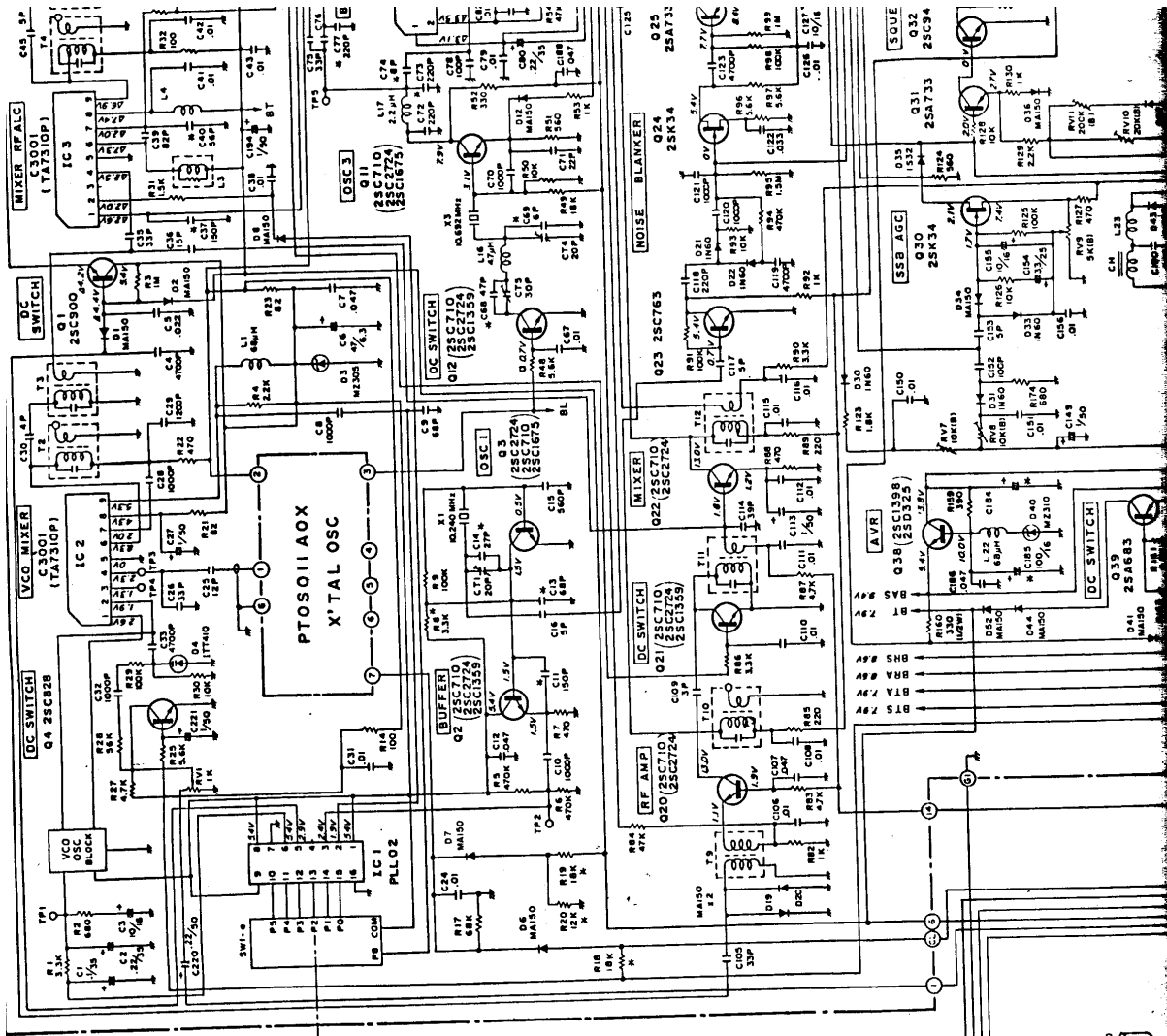




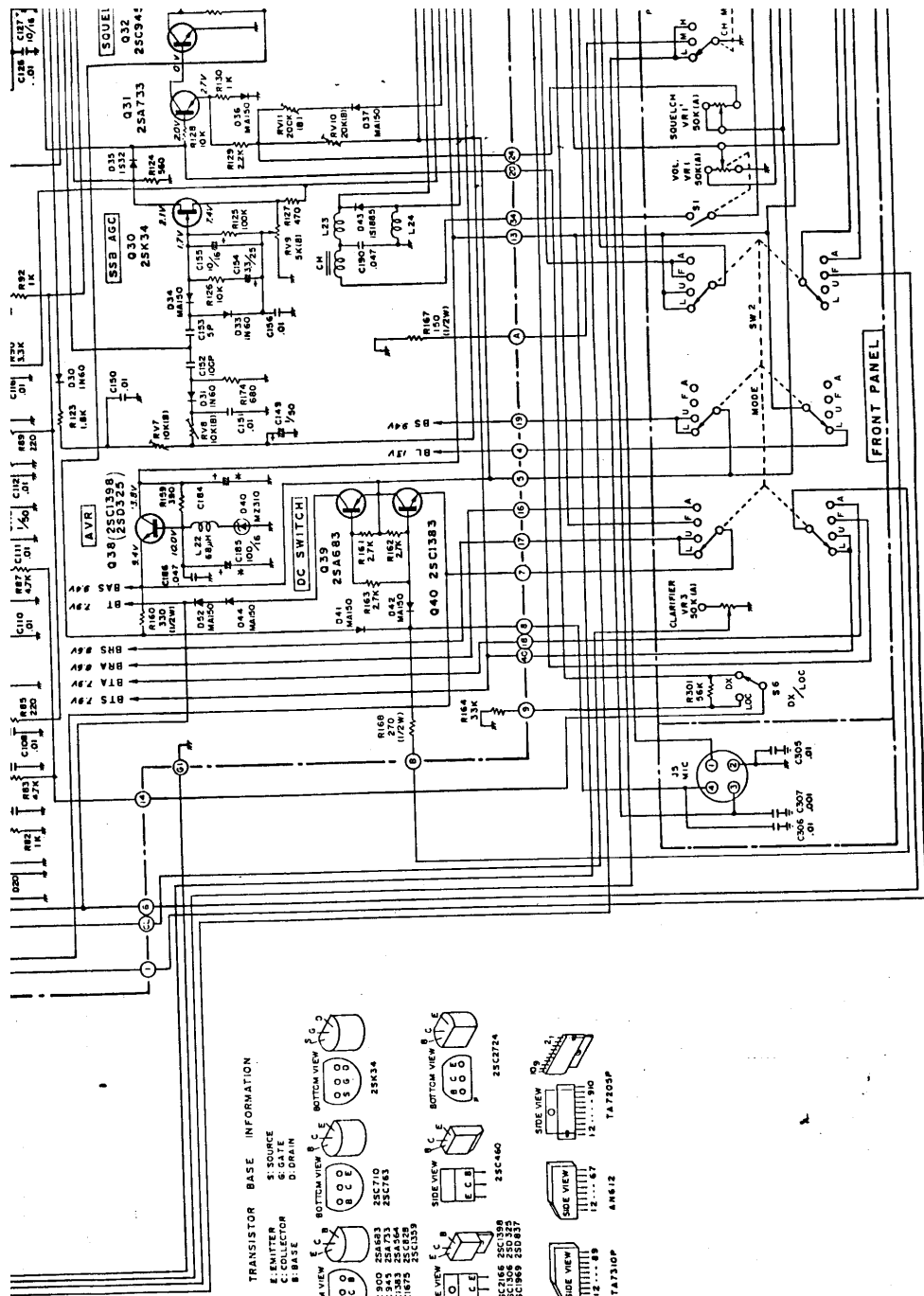
INTEK 1200FM SCHEMATIC DIAGRAM



NOTE:
 ALL VOLTAGES MEASURED FROM PC BOARD GROUND WITH DC VTVM AT NO SIGNAL (AT 13.8V POWER SUPPLY) IF MEASUREMENT VALUES OBTAINED ARE IN EXCESS OF 320% OF VALUES SHOWN, THEN REASON FOR DIFFERENCE SHOULD BE CORRECTED
 A TX : Q LSB : 1.1 AM TX
 † CHASSIS GND
 # PC BOARD GND
 * ADJUSTED (TYPICAL VALUE SHOWN)

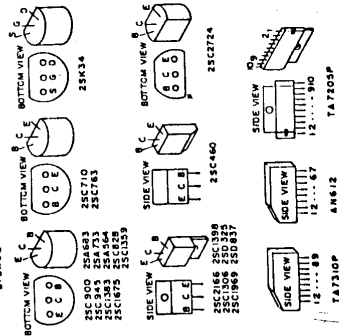


TRANSISTOR BASE INFORMATION
 E: EMITTER
 C: COLLECTOR
 B: BASE
 S: SOURCE
 G: GATE
 D: DRAIN
 SWITCH VIEW
 TOP VIEW
 BOTTOM VIEW
 SIDE VIEW



TRANSISTOR BASE INFORMATION

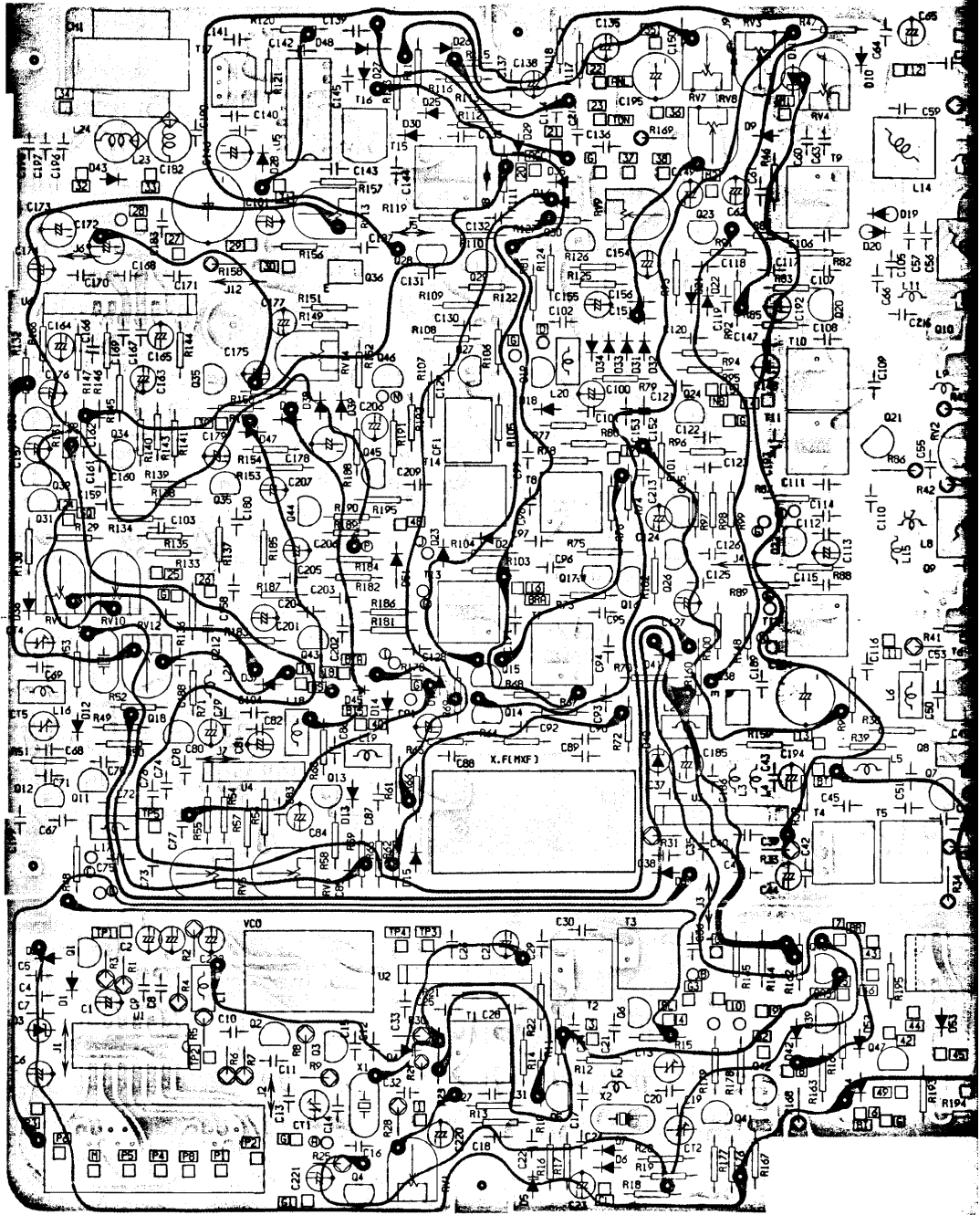
E: EMITTER
C: COLLECTOR
B: BASE

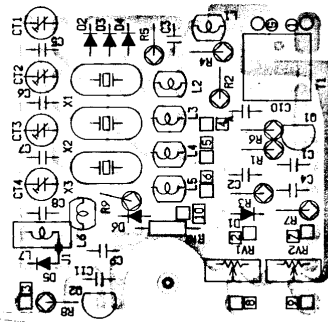
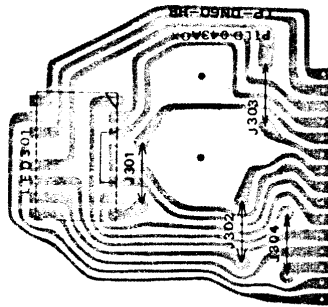
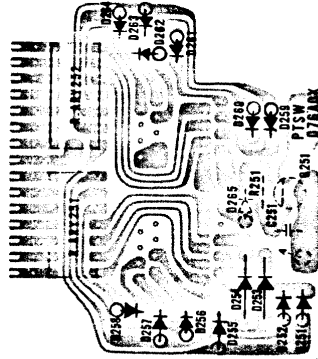
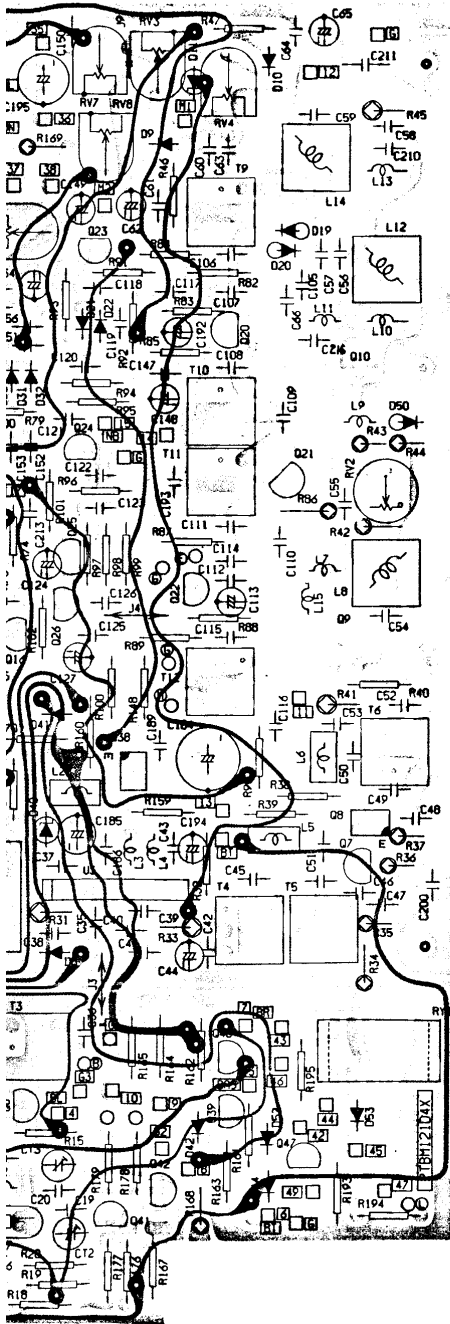


INTEK 1200 FM

PC Board Detail

Main Board





INTEK 1200 FM

Scanned by IW1AXR
 Downloaded by
 RadioAmateur.EU