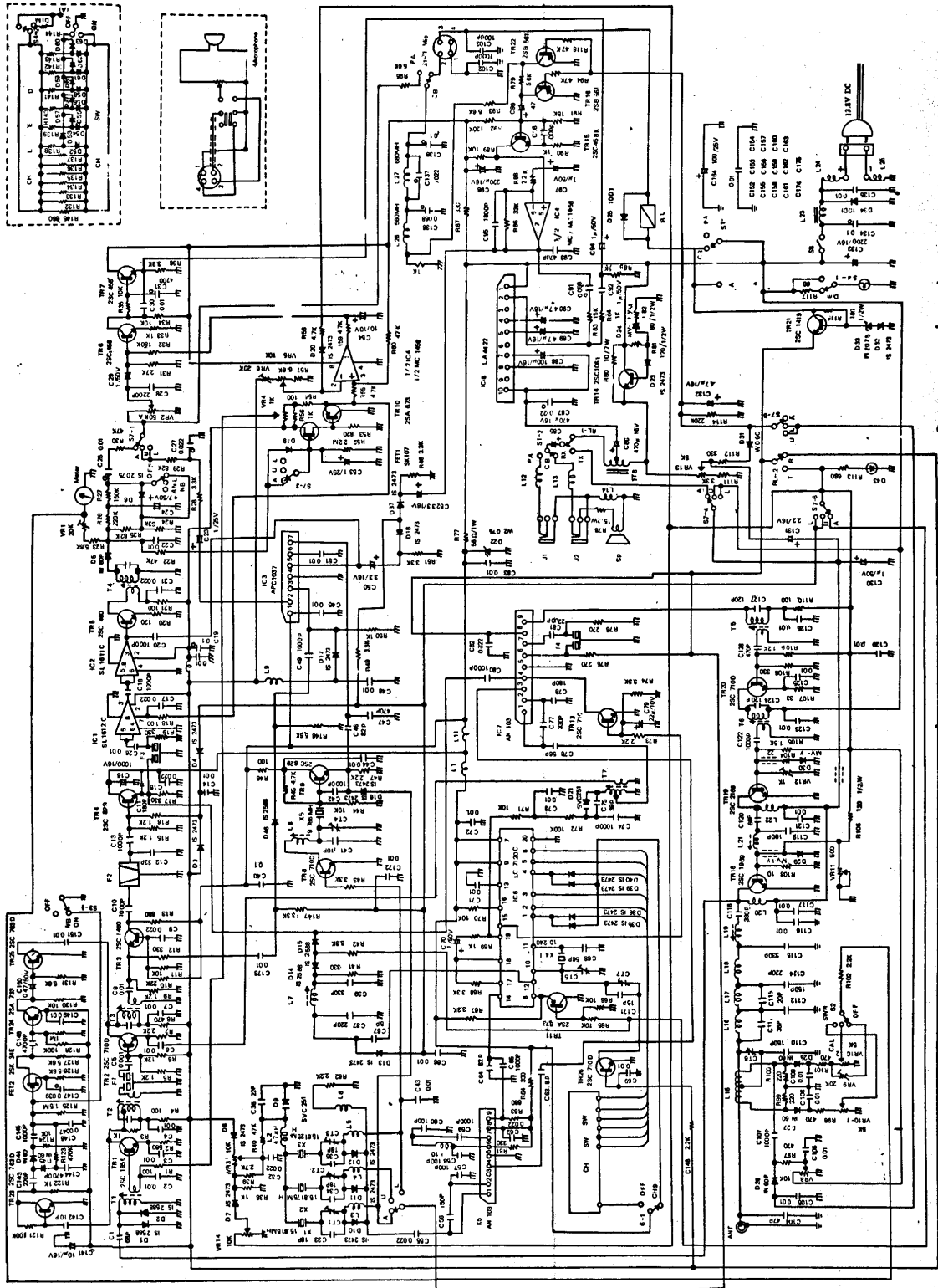


SCHEMATIC DIAGRAM



11/17/70
M. B.
AM-550
SS 801
WMO-HIT

TR1 → 25C 1856E
 TR2 710D
 TR3 460C
 4 829B
 5 460C
 6 } 458C
 7 }
 8 710D
 9 829B
 10 25A 673A-C
 11 " "
 12 25C 710D
 13 1061C
 14 458C
 15 25B 561B
 16 25C 1969A
 17 2166A
 18 710D
 19 1419C
 20 25B 561B
 21 25C 763B
 22 733Q
 23 763B
 24 25D 710D
 25 25K 107 5C4
 26 25K 34E
 27 5C 1612C
 28 5C 1611C
 29 HPC 1037H
 30 HC 1458P
 31 AM 103 0
 32 LC 7120
 33 AM 103 0
 34 LA 4622

xTolp 1
 2 15.815
 3 15.8175
 4 10.240
 5 9.386
 6 9.385
 } MH₂
 Compensation: total due 20PF more
 F₁ photo camera 27MH₂ MA4
 F₂ " " 9.785MH₂
 F₃ " " SFE 9.8HA
 F₄ " " SFE 27MA4
 T1 Transformer 27MH₂
 2 27MH₂
 3 9.78MH₂
 4 27MH₂
 5 27MH₂
 6 27MH₂
 7 17MH₂
 8 OPT.