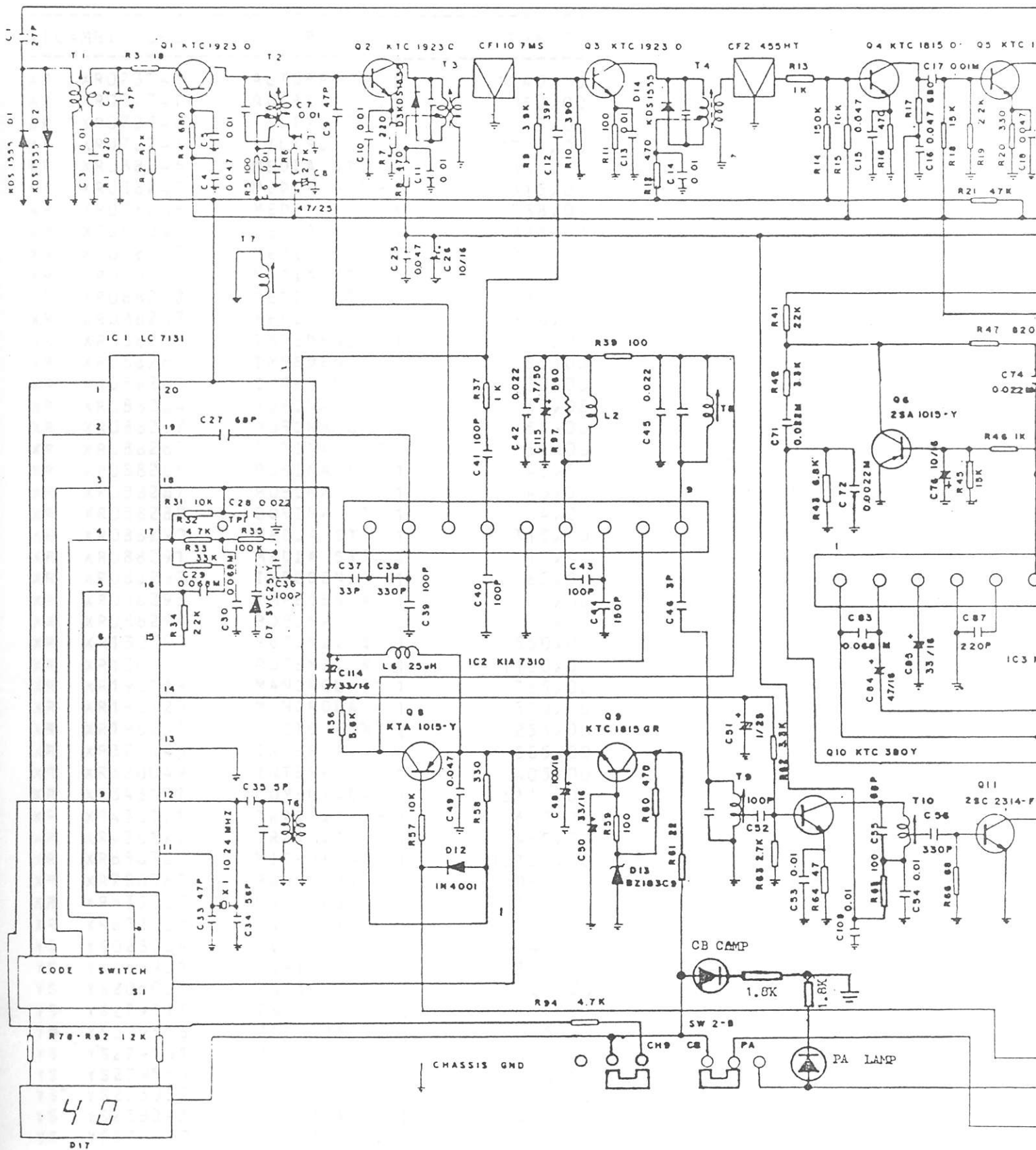


SCHEMATIC DIAGRAM MODE



M MODEL DW900AM

