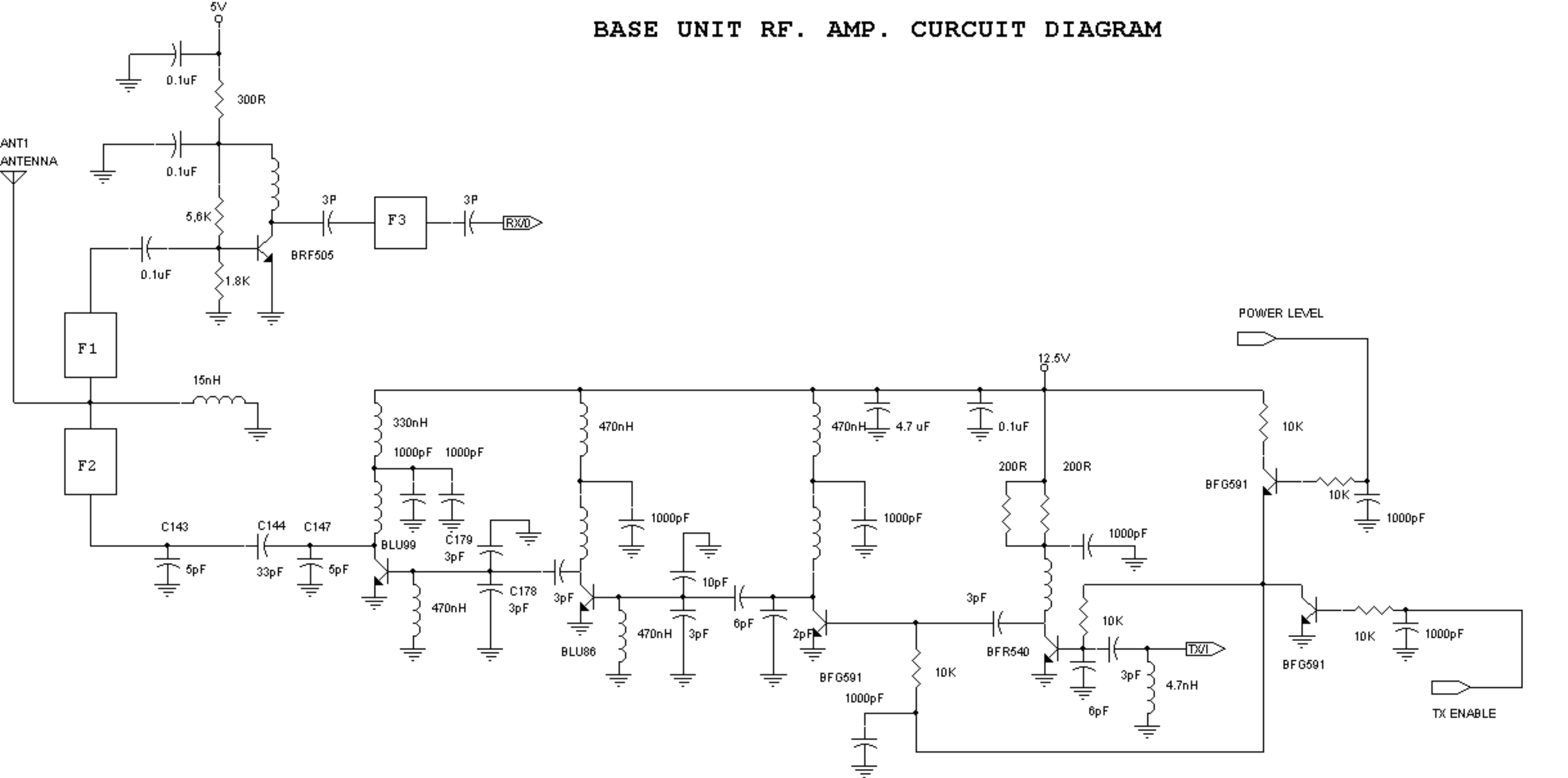
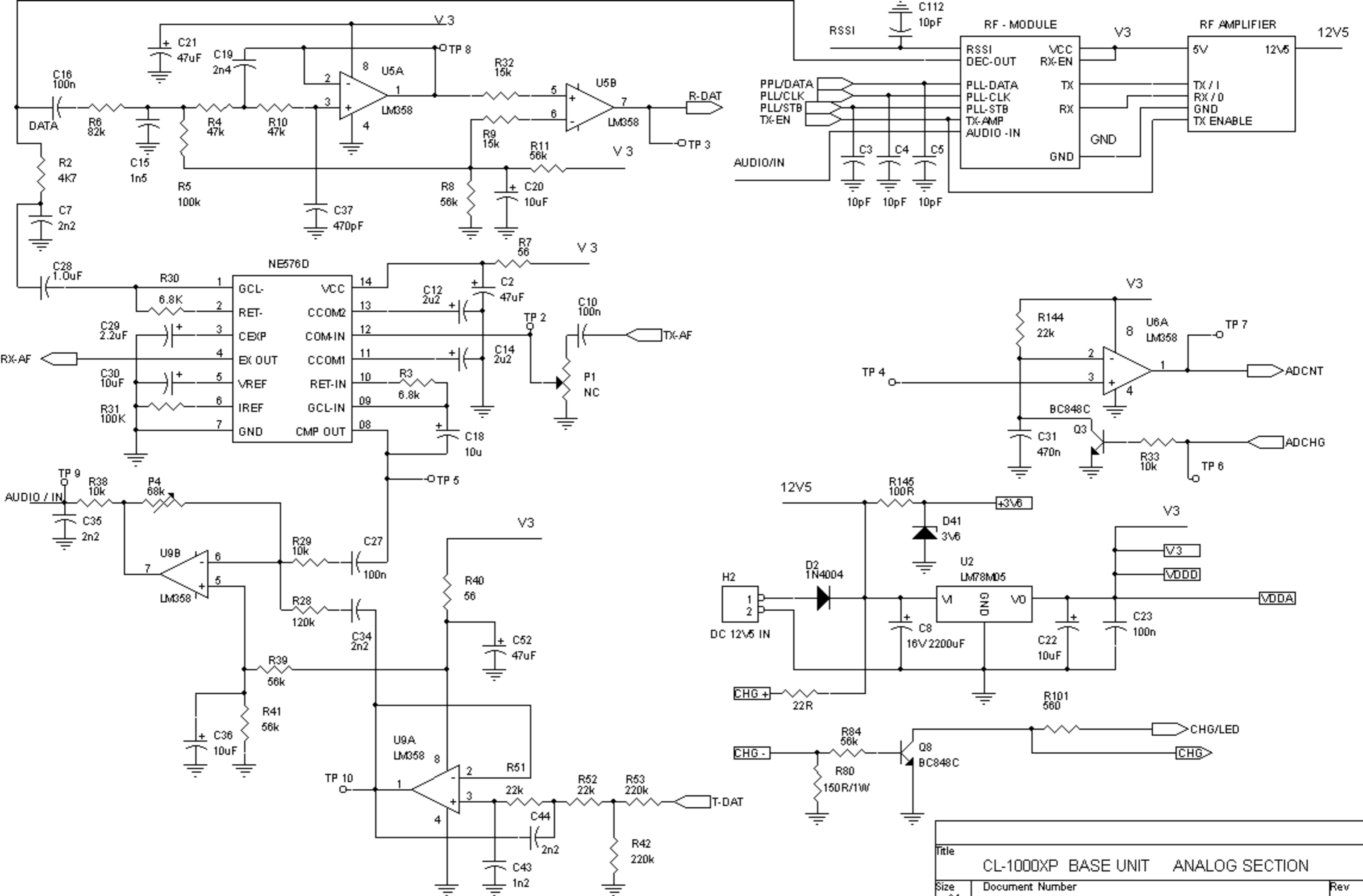


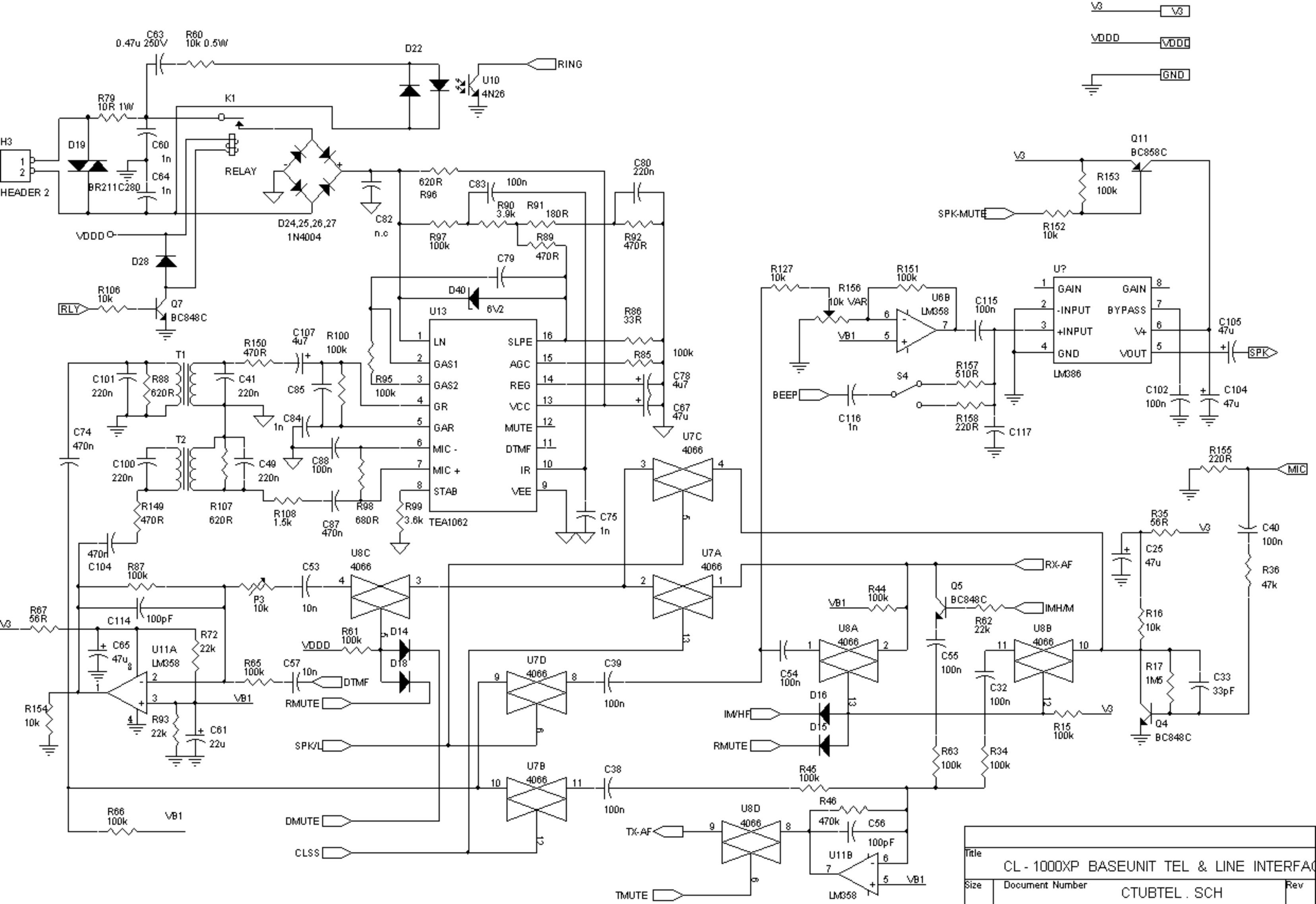
# BASE UNIT RF. AMP. CURCUIT DIAGRAM



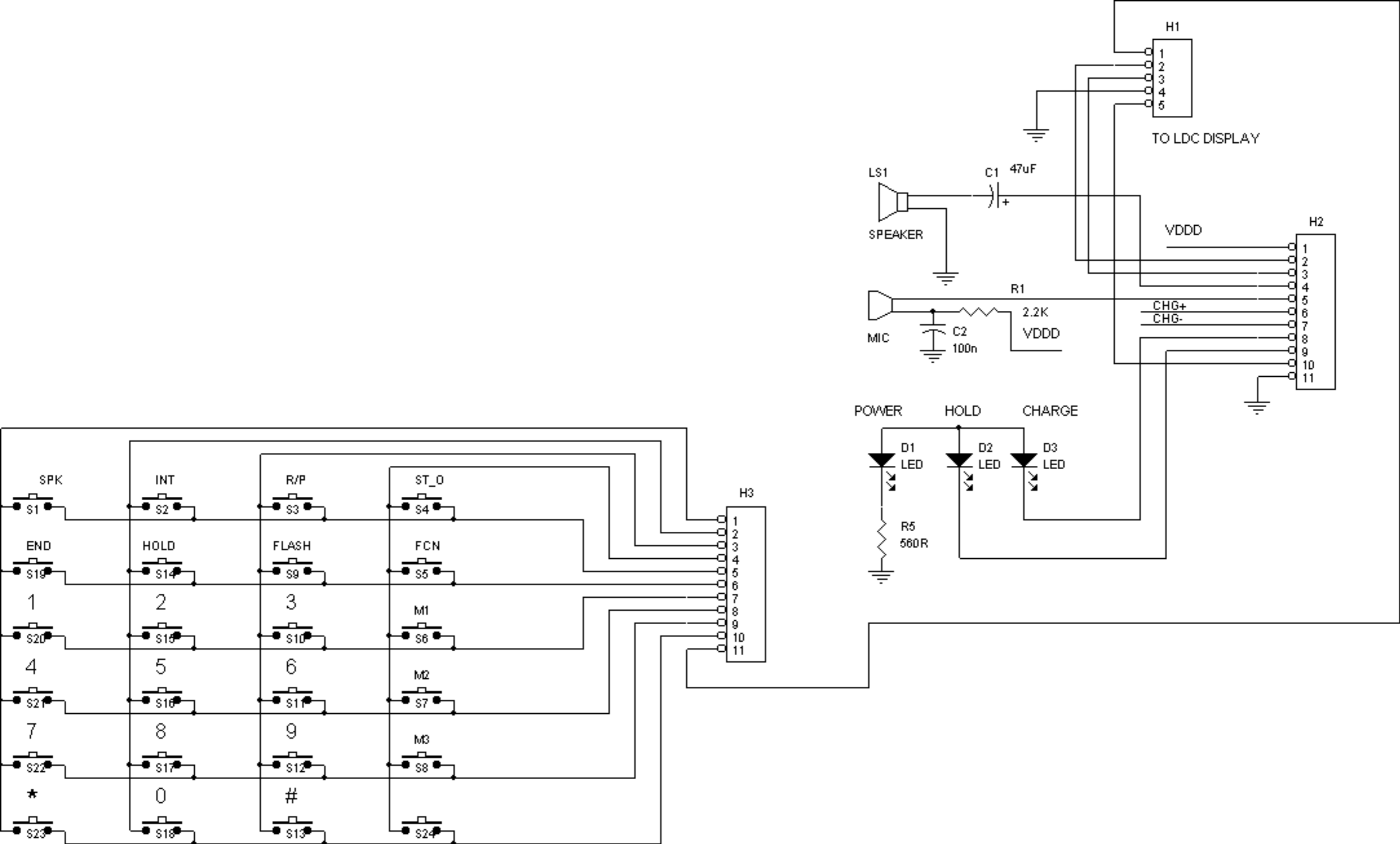
Title		
BASE UNIT RF. AMP. CIRCUIT DIAGRAM		
Size	Document Number	Rev
Date:	Thursday, February 25, 1999	Sheet 4 of 9



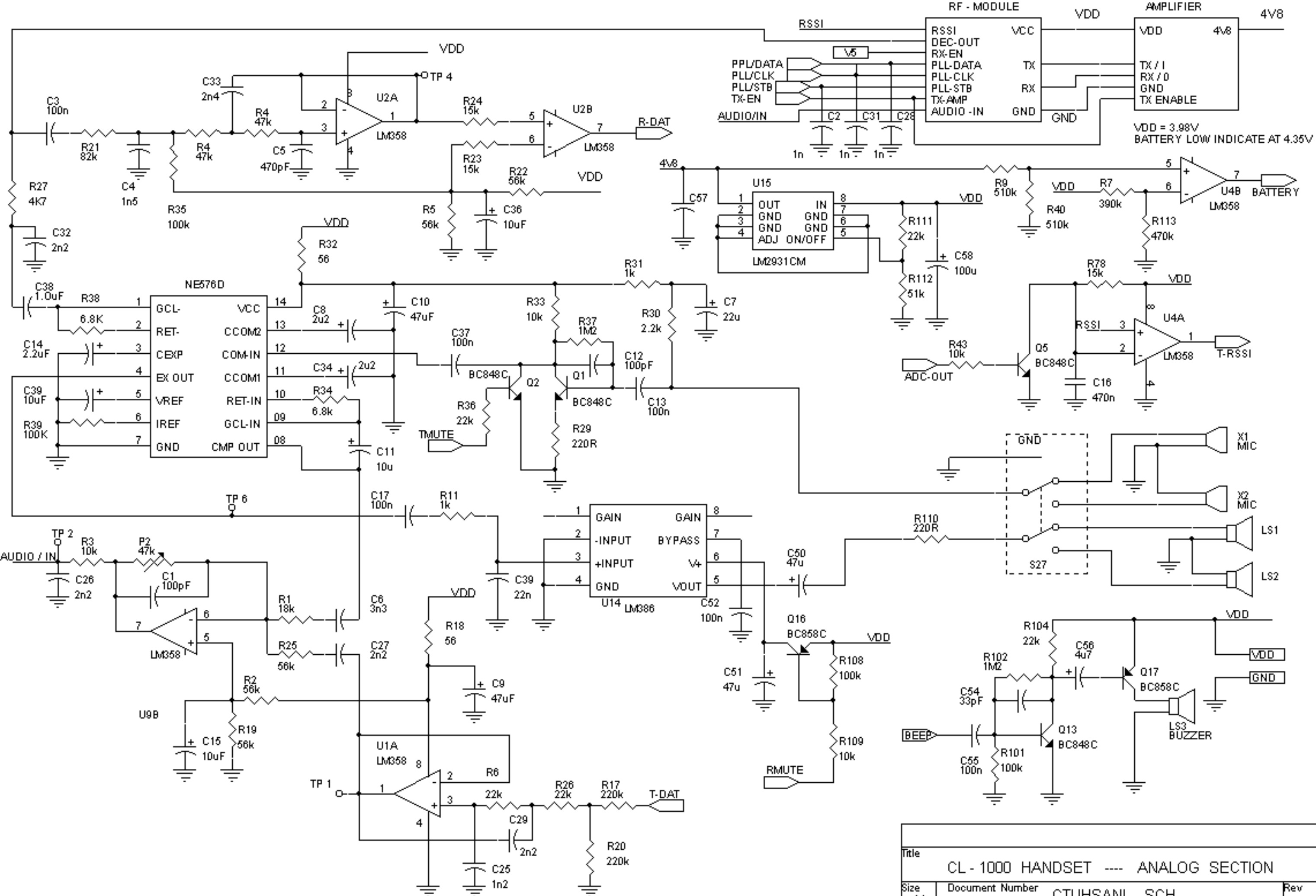
Title		
CL-1000XP BASE UNIT ANALOG SECTION		
Size	Document Number	Rev
A4		
Date:	Wednesday, October 22, 1997	Sheet 1 of 1



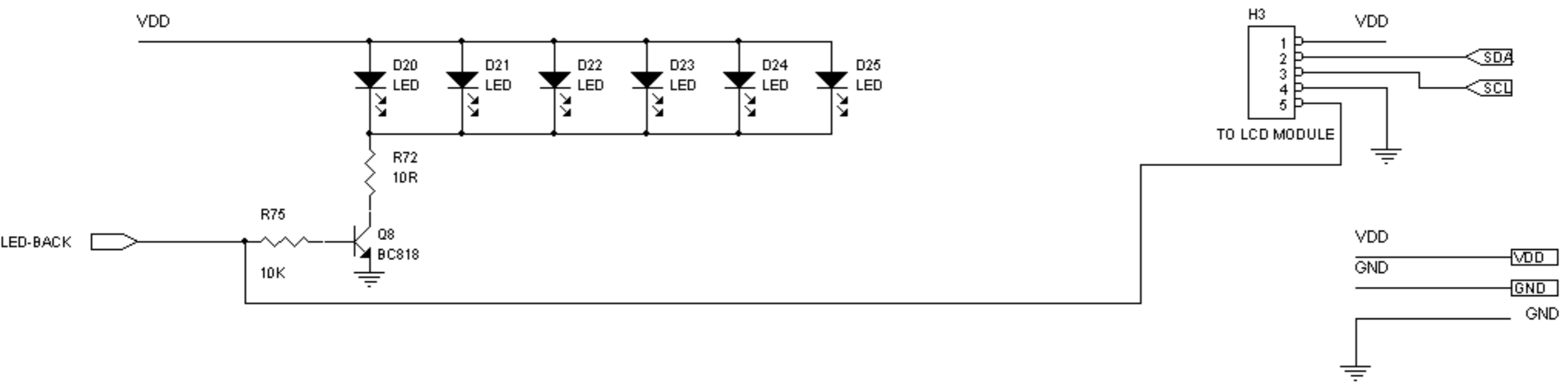
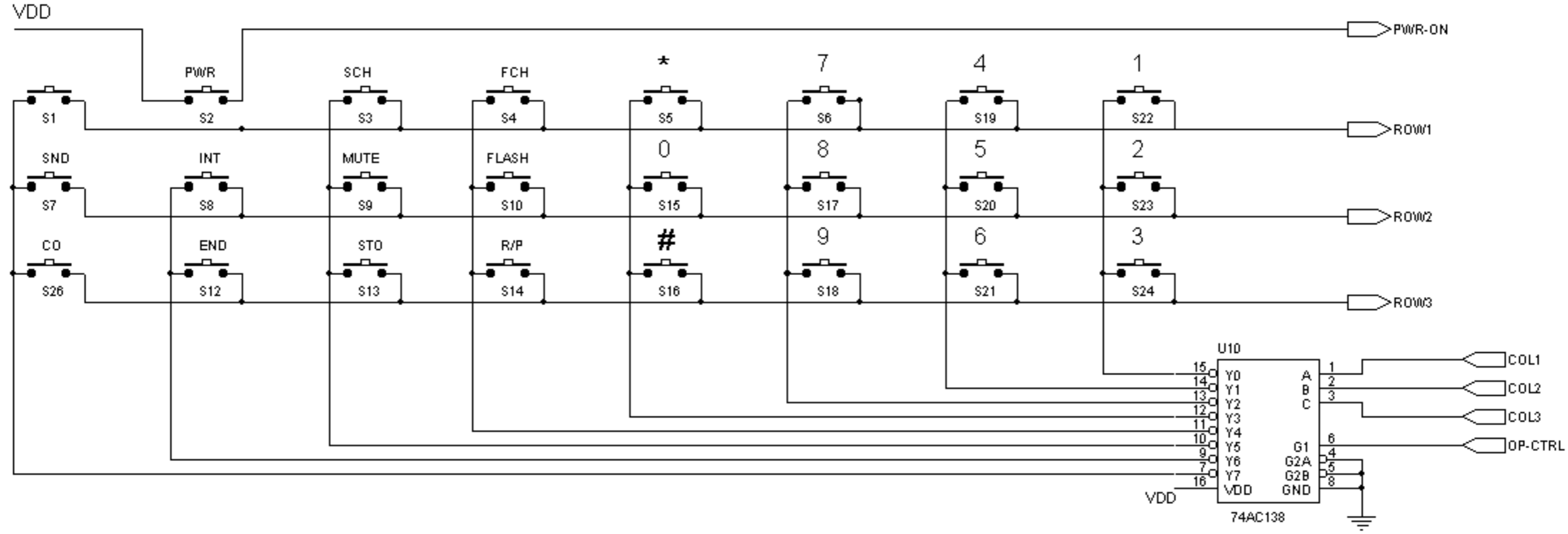
Title			CL - 1000XP BASEUNIT TEL & LINE INTERFA		
Size	Document Number	CTUBTEL . SCH		Rev	
Date:	Wednesday, November 26, 1997	Sheet	1	of	1



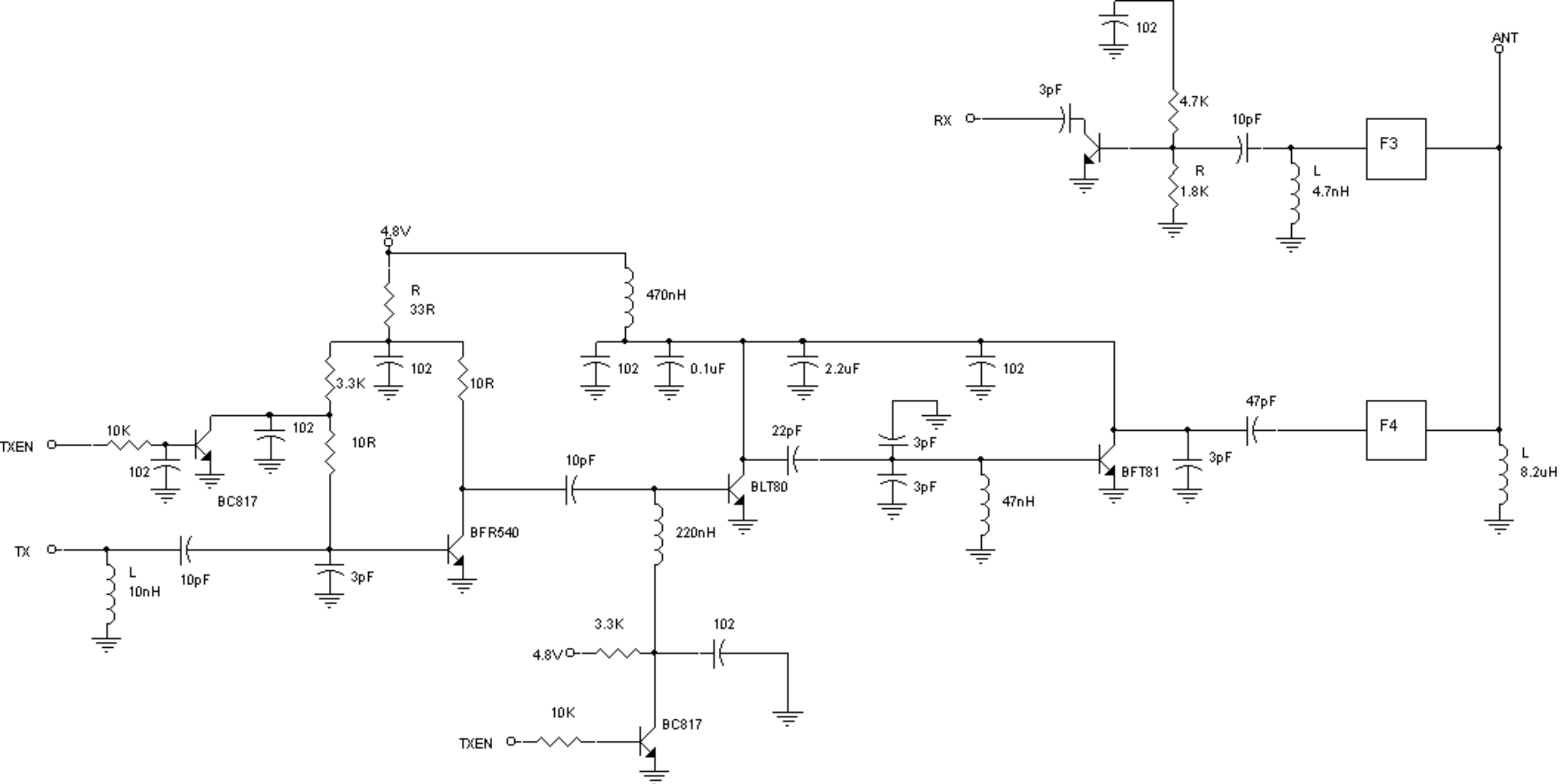
Title		
CL-1000XP BASE-UNIT KEY & DISPLAY		
Size	Document Number	Rev
A4		
Date:	Wednesday, October 15, 1997	Sheet 1 of 1



Title		
CL - 1000 HANDSET ---- ANALOG SECTION		
Size	Document Number	Rev
A4	CTUHSANL . SCH	
Date:	Friday, October 24, 1997	Sheet 1 of 1



Title		
CL-1000XP HANDSET KEY & DISPLAY		
Size	Document Number	Rev
A4		
Date:	Wednesday, October 15, 1997	Sheet 1 of 1



Title		
HANDSET RF. AMP. CIRCUIT DIAGRAM		
Size	Document Number	Rev
Date:	Thursday, October 16, 1997	Sheet 1 of 1