

1 2 3 4 5

A

B

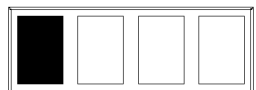
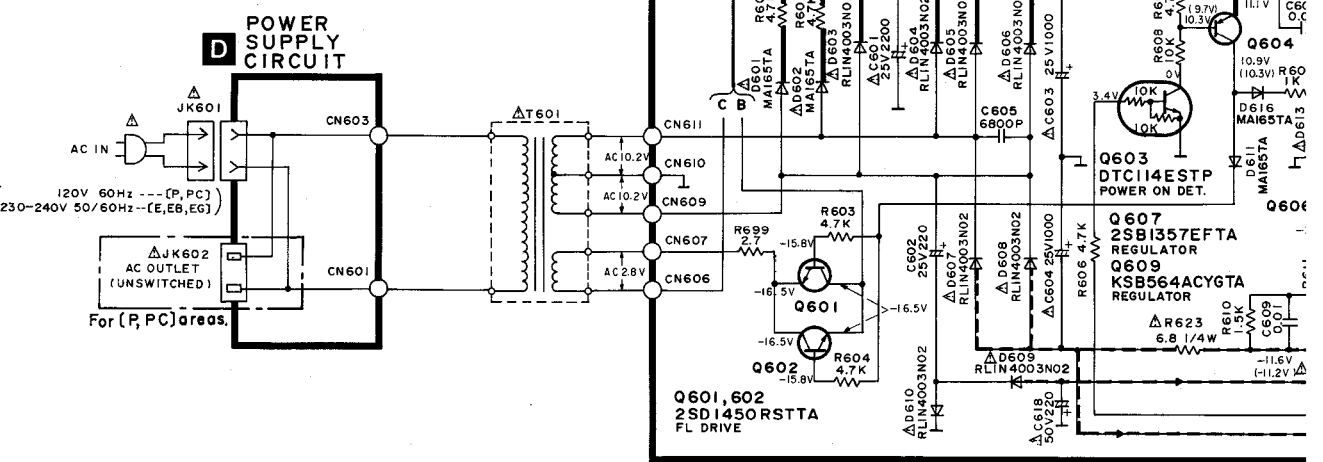
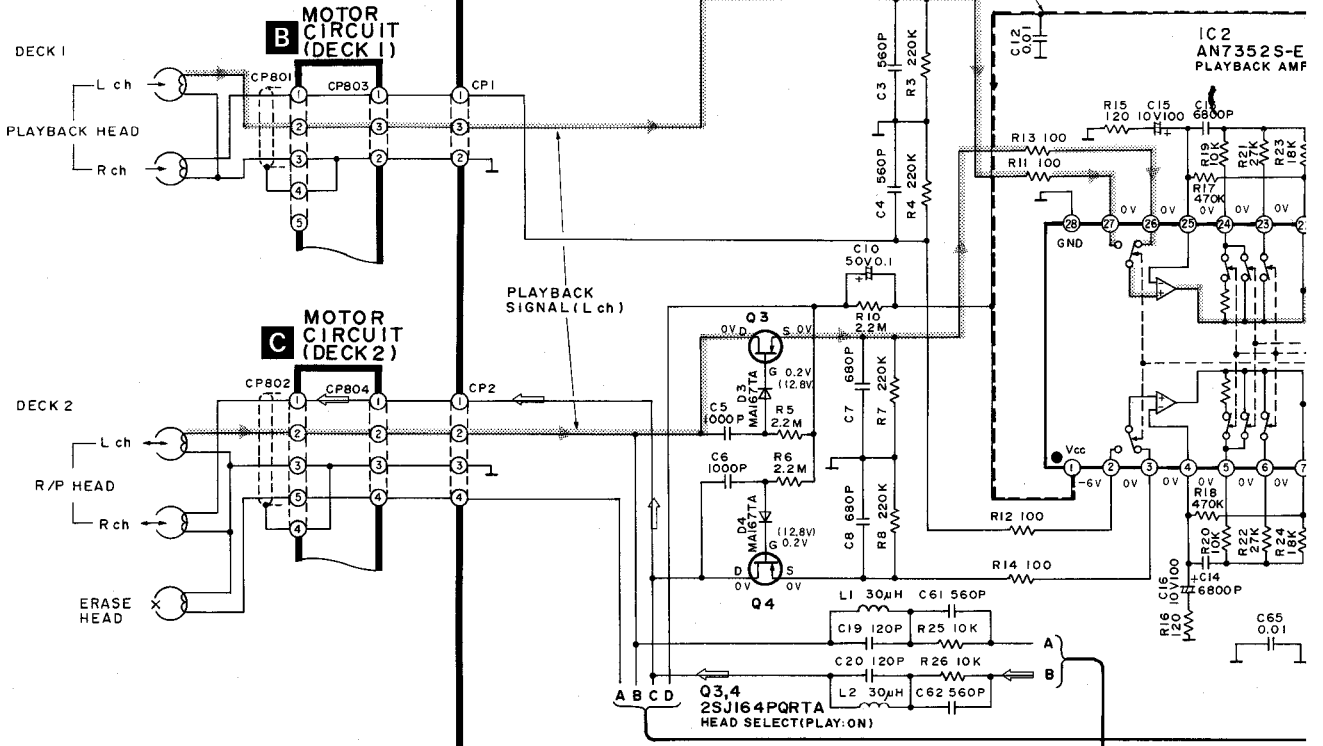
C

D

E

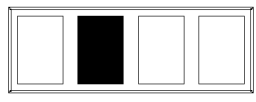
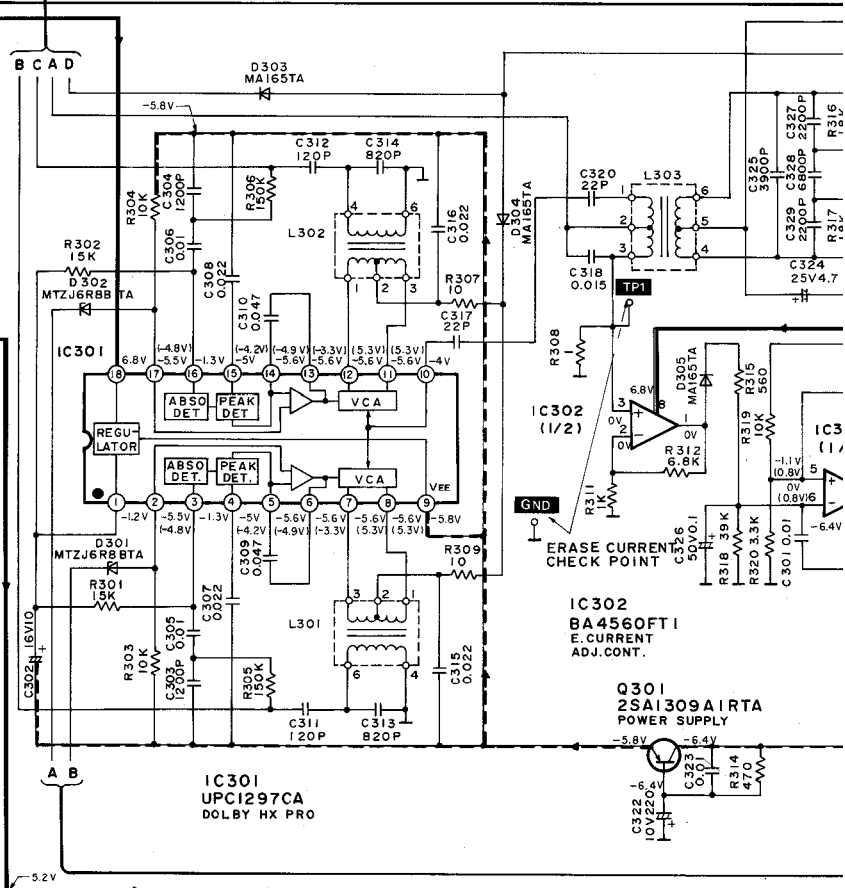
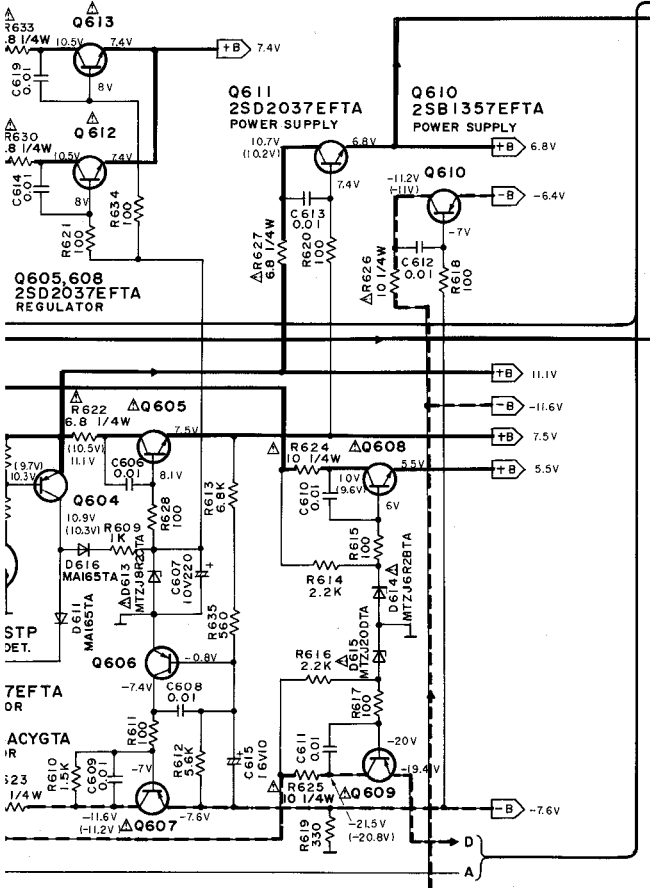
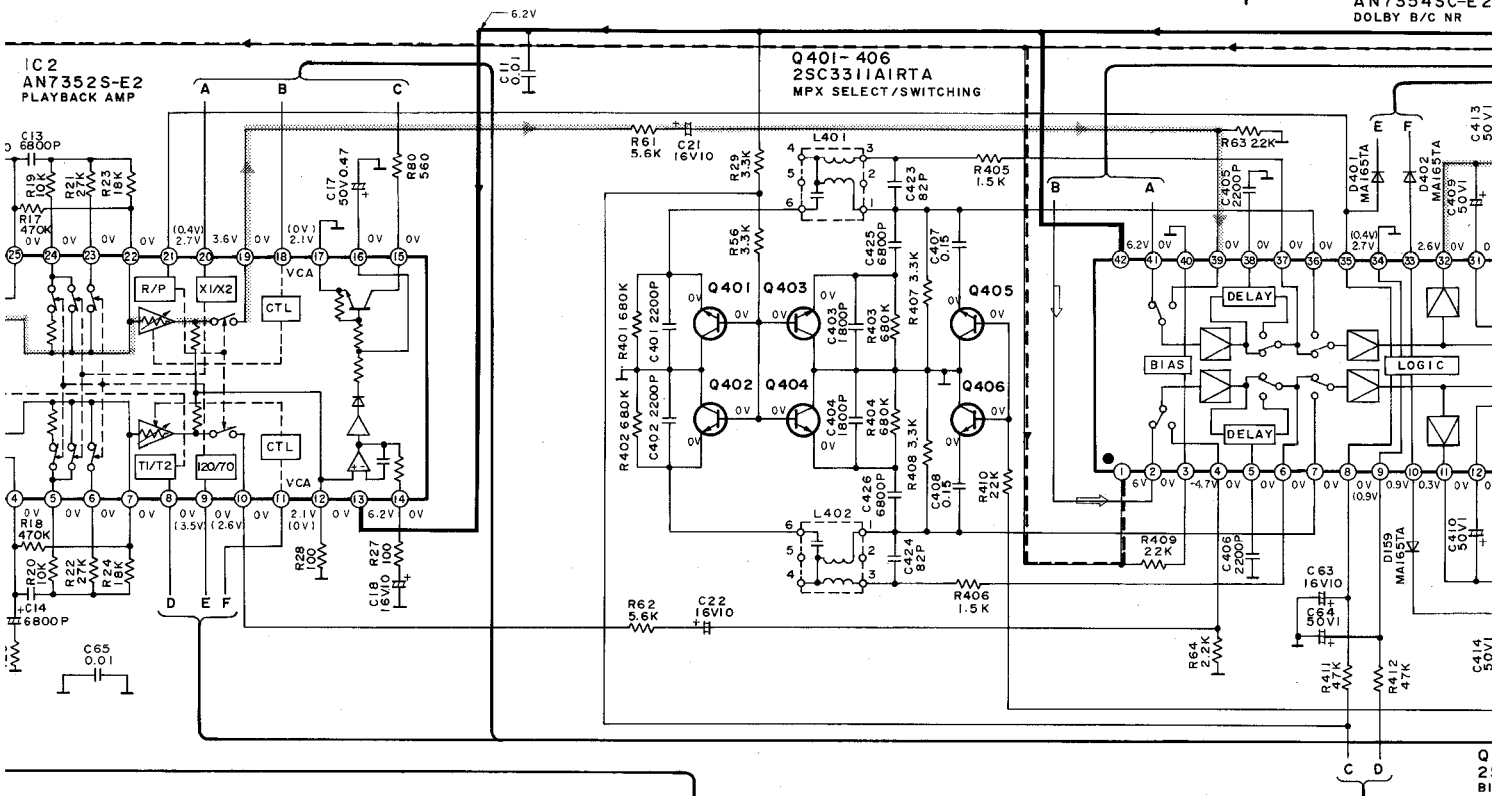
F

**A** MAIN CIRCUIT (PLAYBACK EQ AMP/POWER SUPPLY/DOLBY NR/HX)

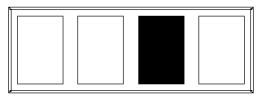
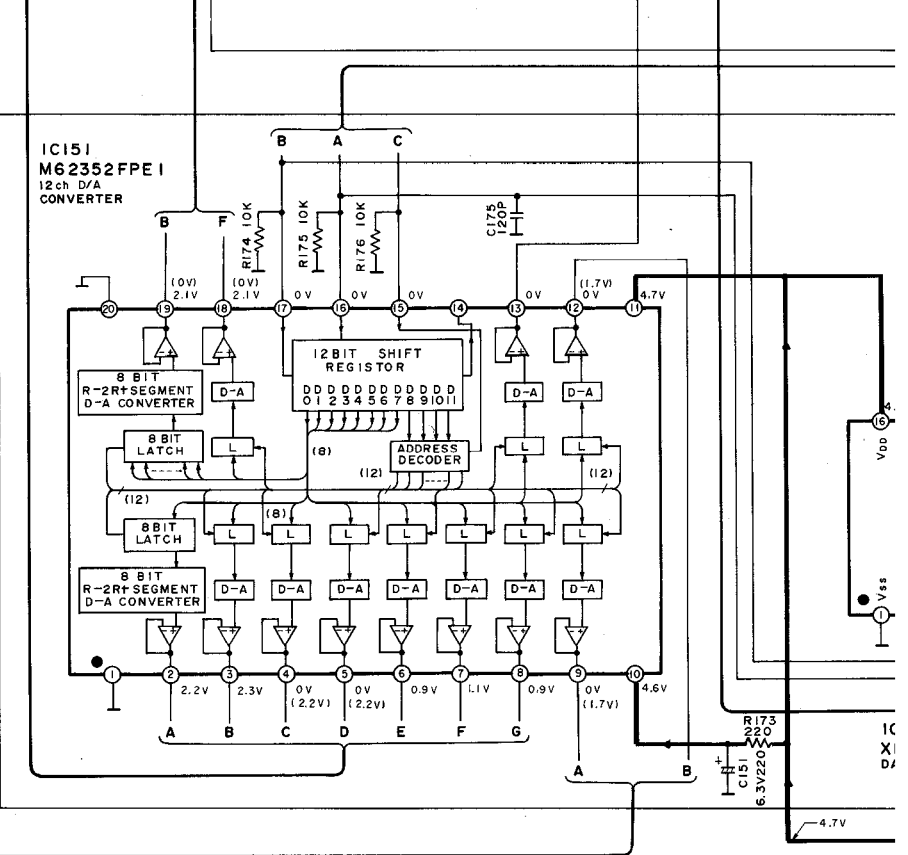
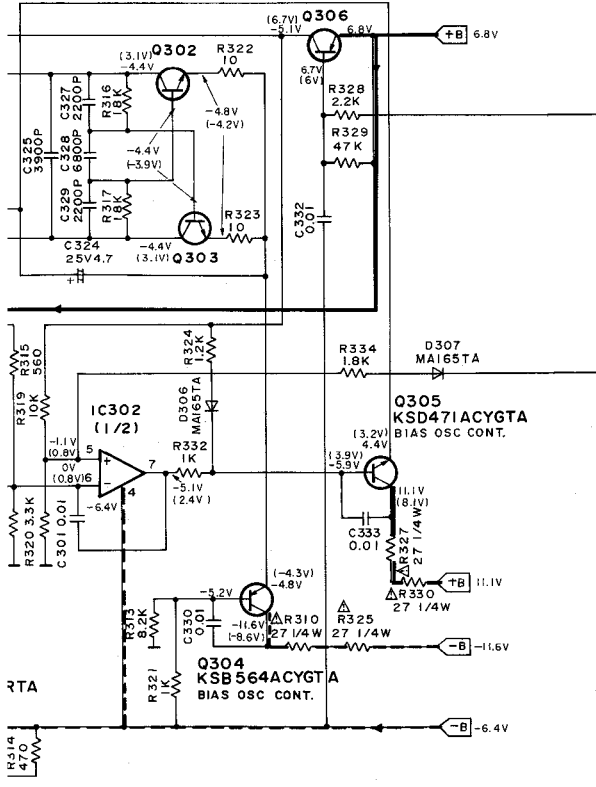
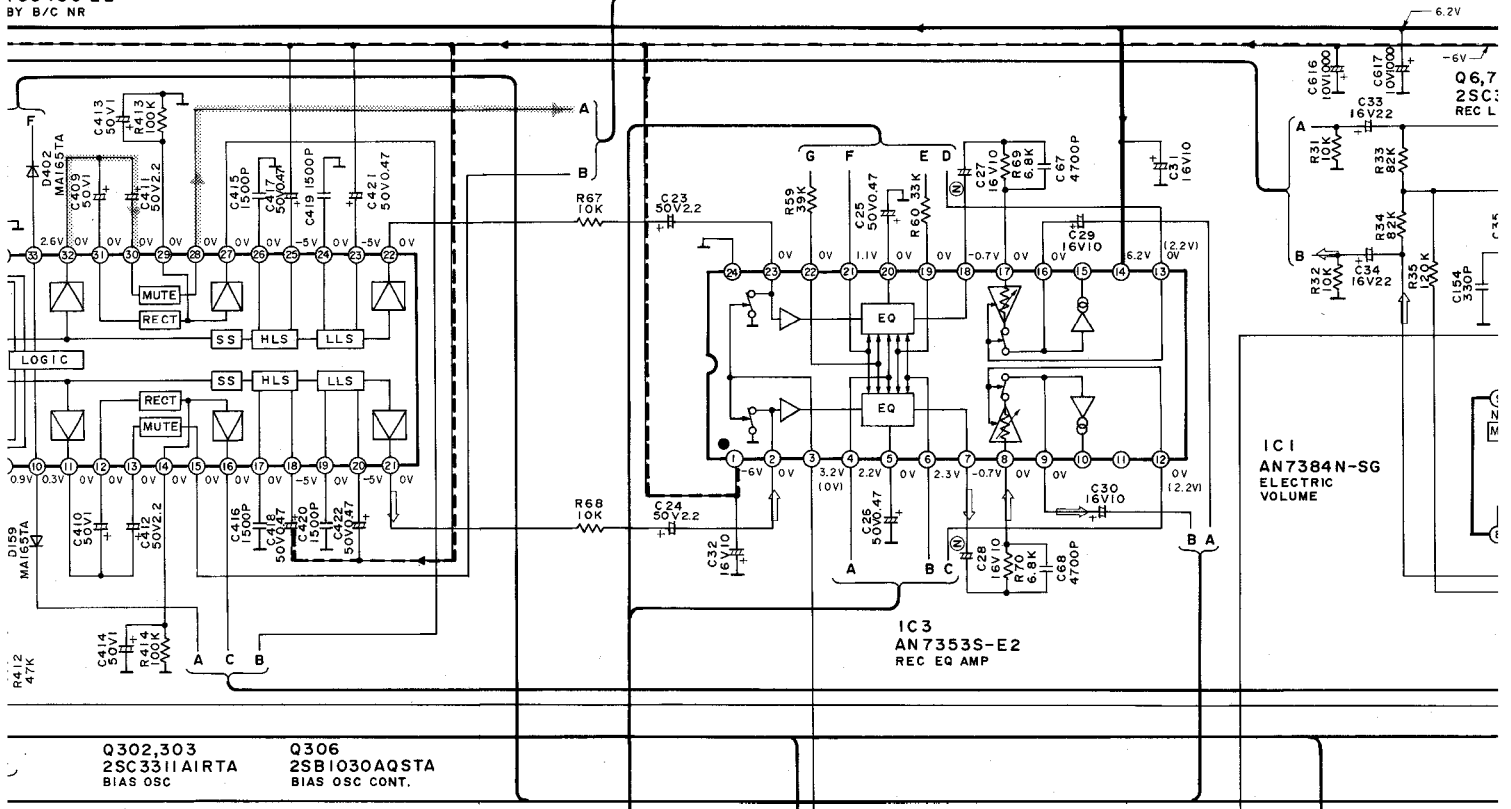


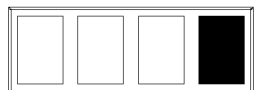
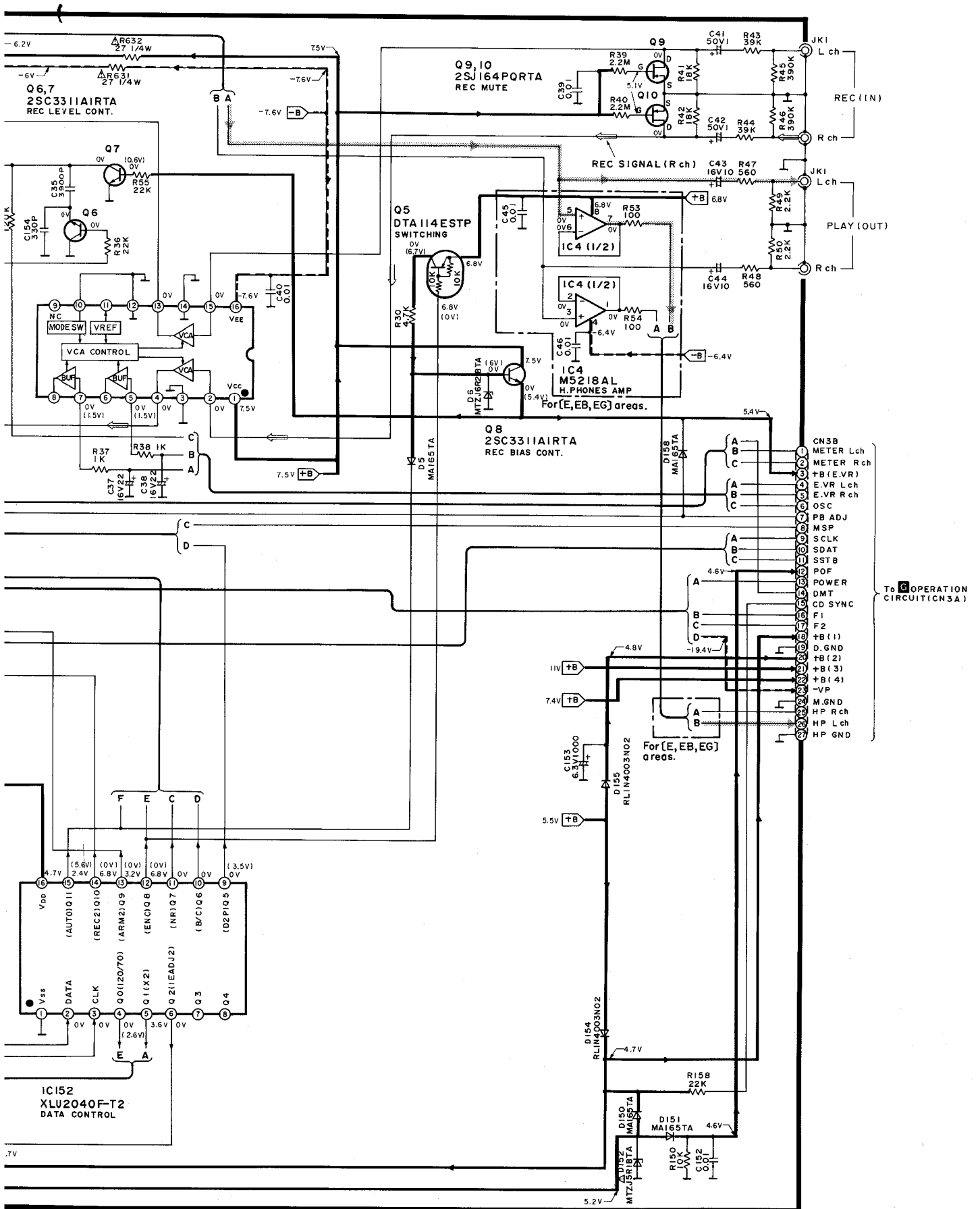
BY NR/HX PRO/BIAS OSC/REC EQ AMP/CONTROL/ELECTRIC VOLUME)

IC401  
AN7354SC-E2  
DOLBY B/C NR

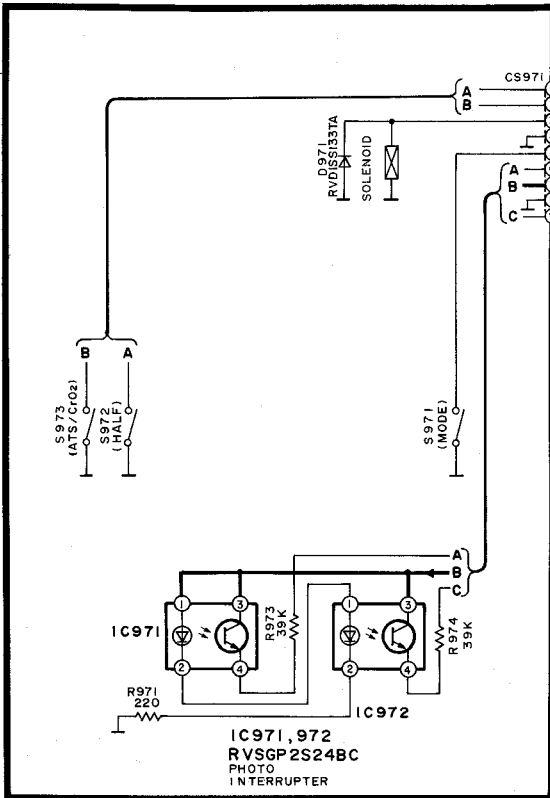


101  
7354SC-E2  
BY B/C NR

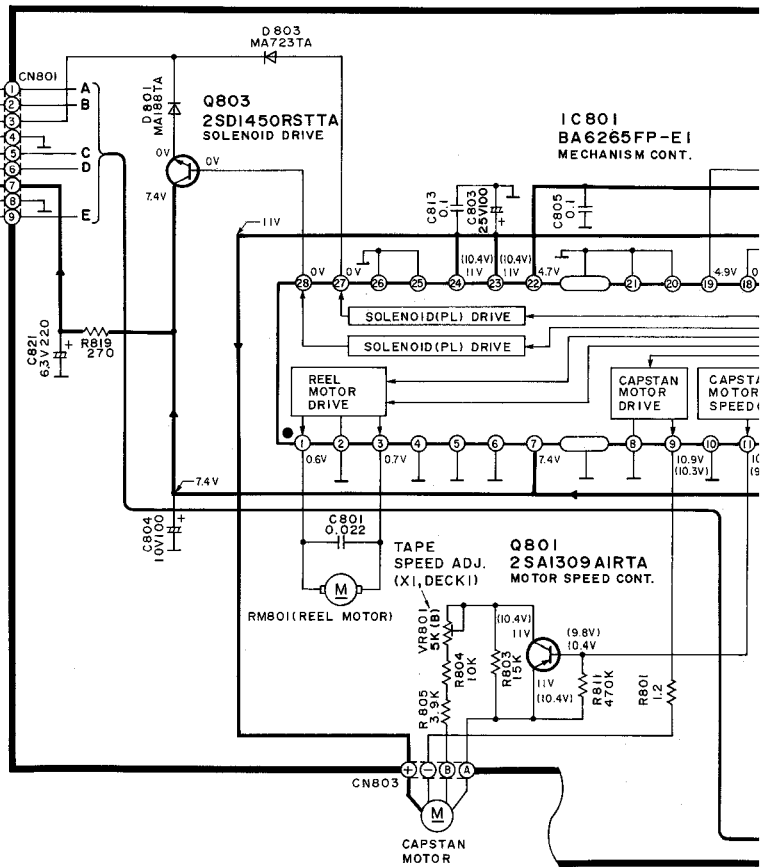




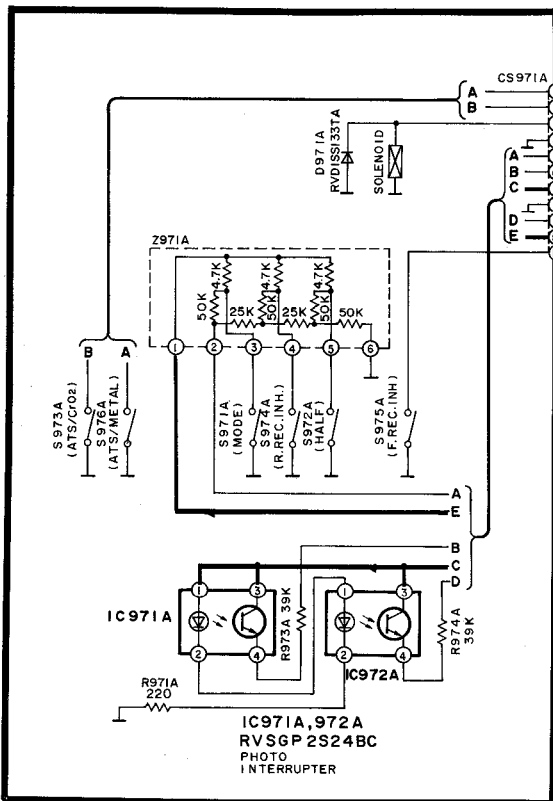
**E MECHANISM CIRCUIT (DECK 1)**



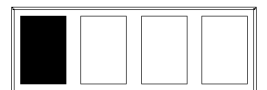
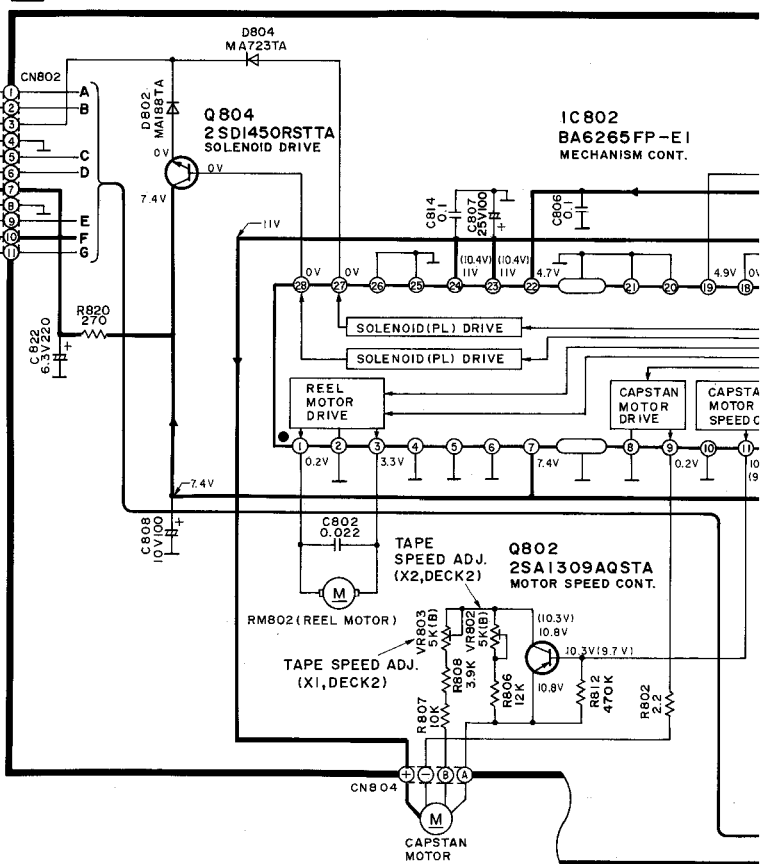
**B MOTOR CIRCUIT (DECK 1)**



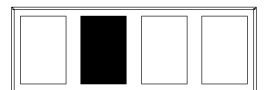
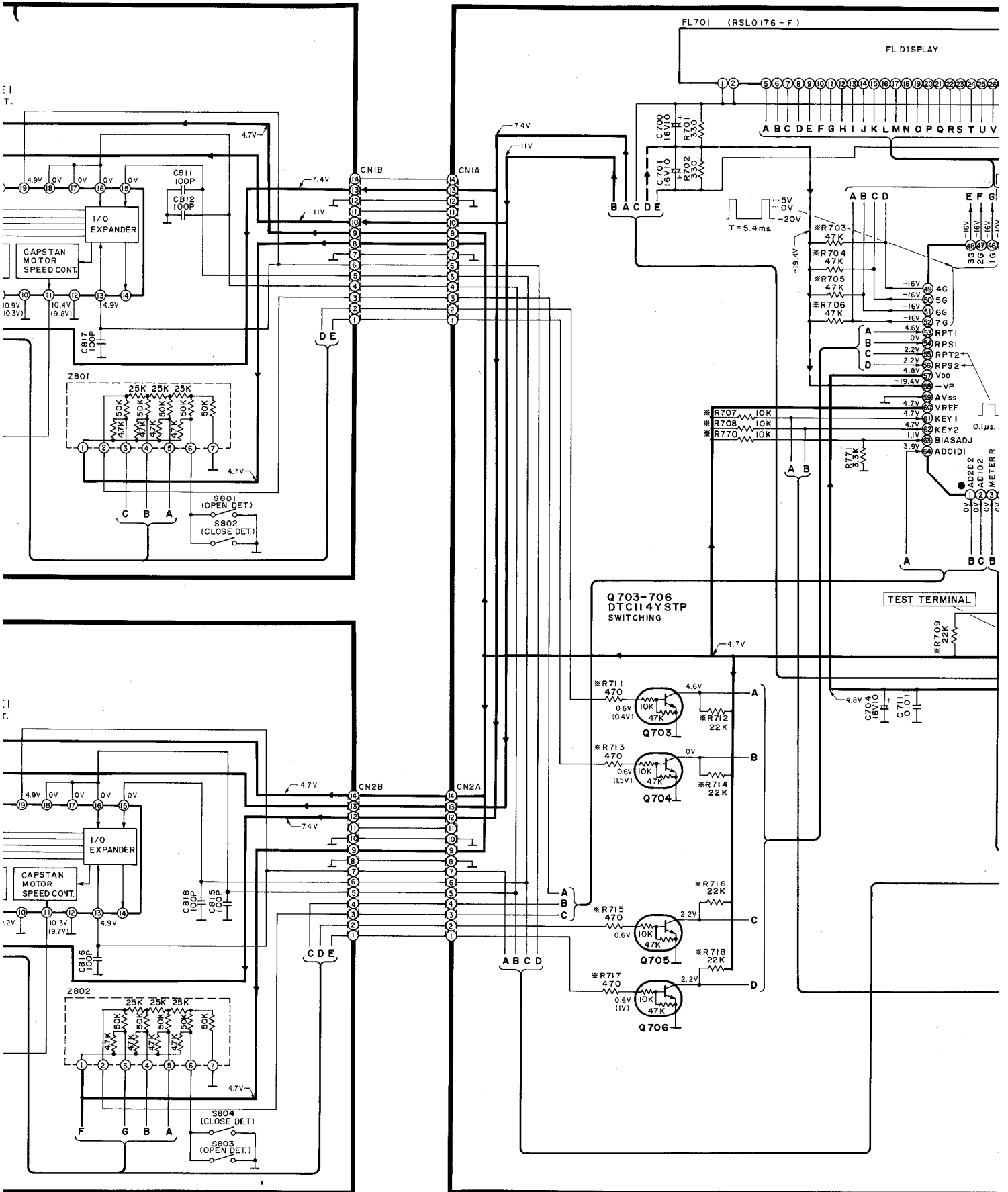
**F MECHANISM CIRCUIT (DECK 2)**

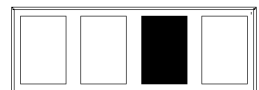
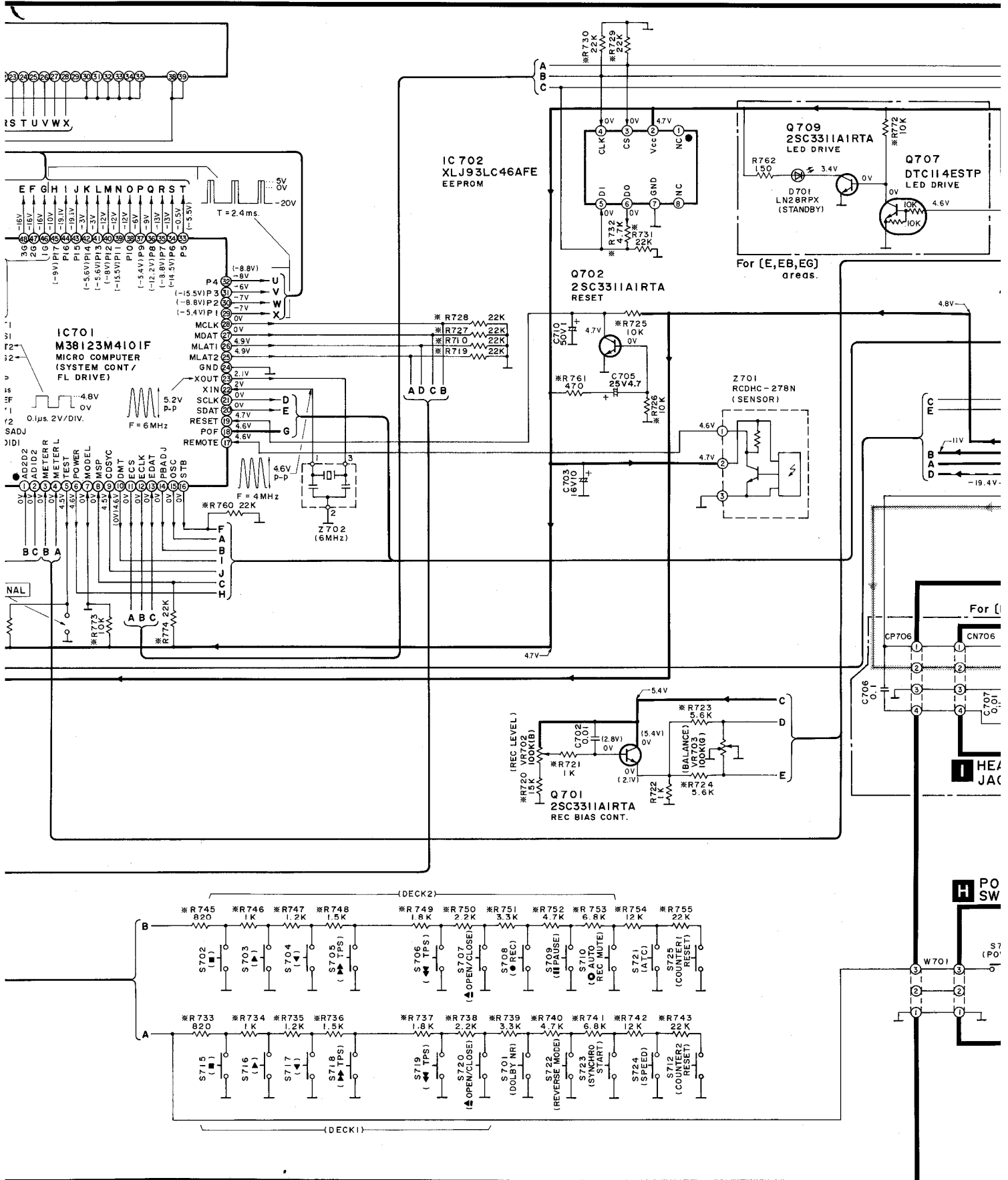


**C MOTOR CIRCUIT (DECK 2)**



G OPERATION CIRCUIT








# SCHEMATIC DIAGRAM (Parts list on pages 57~60.)

(This schematic diagram may be modified at any time with the development of new technology.)

**Note 1:**

- S701 : Dolby noise-reduction switch (DOLBY NR; , , ).
- S702 : DECK 2 Stop switch ().
- S703 : DECK 2 Forward-side playback switch ().
- S704 : DECK 2 Reverse-side playback switch ().
- S705 : DECK 2 Fast-forward search switch ( TPS).
- S706 : DECK 2 Rewind search switch ( TPS).
- S707 : DECK 2 Open/close switch ( OPEN/CLOSE).
- S708 : DECK 2 Record switch ( REC).
- S709 : DECK 2 Pause switch ( PAUSE).
- S710 : DECK 2 Automatic-record-muting switch ( AUTO REC MUTE).
- S712 : DECK 2 Counter reset switch (COUNTER 2 RESET).
- S714 : Power "STANDBY  $\phi$  /ON" switch (POWER, STANDBY  $\phi$  /ON).
- S715 : DECK 1 Stop switch ().
- S716 : DECK 1 Forward-side playback switch ().
- S717 : DECK 1 Reverse-side playback switch ().
- S718 : DECK 1 Fast-forward search switch ( TPS).
- S719 : DECK 1 Rewind search switch ( TPS).
- S720 : DECK 1 Open/close switch ( OPEN/CLOSE).
- S721 : Auto tape calibration switch (ATC).
- S722 : Reverse-mode select switch (REVERSE MODE).
- S723 : Synchro-start switch (SYNCHRO START).
- S724 : Tape-to-tape recording-speed switch (SPEED; X1, X2).
- S725 : DECK 1 Counter reset switch (COUNTER 1 RESET).
- S801 : DECK 1 Cassette holder open detection switch in "off" position.
- S802 : DECK 1 Cassette holder close detection switch in "off" position.
- S803 : DECK 2 Cassette holder open detection switch in "off" position.
- S804 : DECK 2 Cassette holder close detection switch in "off" position.
- S971 : DECK 1 Mode switch in "off" position.
- S971A : DECK 2 Mode switch in "off" position.
- S972 : DECK 1 Half switch in "off" position.
- S972A : DECK 2 Half switch in "off" position.
- S973 : DECK 1 ATS (CrO<sub>2</sub>) switch in "off" position.
- S973A : DECK 2 ATS (CrO<sub>2</sub>) switch in "off" position.
- S974A : DECK 2 Reverse rec. inhibit switch in "off" position.
- S975A : DECK 2 Forward rec. inhibit switch in "off" position.
- S976A : DECK 2 ATS (Metal) switch in "off" position.
- Resistance are in ohms ( $\Omega$ ), 1/4 watt unless specified otherwise.  
1K=1,000 ( $\Omega$ ), 1M=1,000k ( $\Omega$ )
- Capacity are in micro-farads ( $\mu$ F) unless specified otherwise.
- All voltage values shown in circuitry are under no signal condition and playback mode with volume control at minimum position otherwise specified.  
( ) ..... Voltage values at record mode.
- For measurement us EVM.
- Important safety notice  
Components identified by  $\Delta$  mark have special characteristics important for safety.  
When replacing any of these components, use only manufacturer's specified parts.
- (  ) indicates +B (bias).
- (  ) indicates -B (bias).
- (  ) indicates the flow of the playback signal.
- (  ) indicates the flow of the record signal.
- The supply part number is described alone in the replacement parts list,

Ref. No.	Production Part No.	Supply Part No.
IC4	M5218AL	M5218L
IC152	XLU2040F-T2	XLU2040F-T1
IC302	BA4560FT1	SVIBA4560FT1

※ marks indicate printed resistor.

**Caution!**

- IC and LSI are sensitive to static electricity.
- Secondary trouble can be prevented by taking care during repair.
- Cover the parts boxes made of plastics with aluminum foil.
- Ground the soldering iron.
- Put a conductive mat on the work table.
- Do not touch the legs of IC or LSI with the fingers directly.

