

TAM-100

SERVICE MANUAL

Canadian Model



SPECIFICATIONS

Power source	DC 12 V from AC power adaptor
Maximum recording time	About 15 minutes, using incorporated IC time
Greeting message	Up to 4 minutes
Incoming message	Up to 4 minutes/message
Memo	Up to 4 minutes/message
Dimensions	Approx. 100 x 50 x 173 mm (w/h/d) (approx. 4 x 2 x 6 ⁷ / ₈ inches)
Mass	Approx. 290 g (approx. 10 oz)
Supplied accessories	AC power adaptor AC-T70 Telephone line cord

Design and specifications are subject to change without notice.

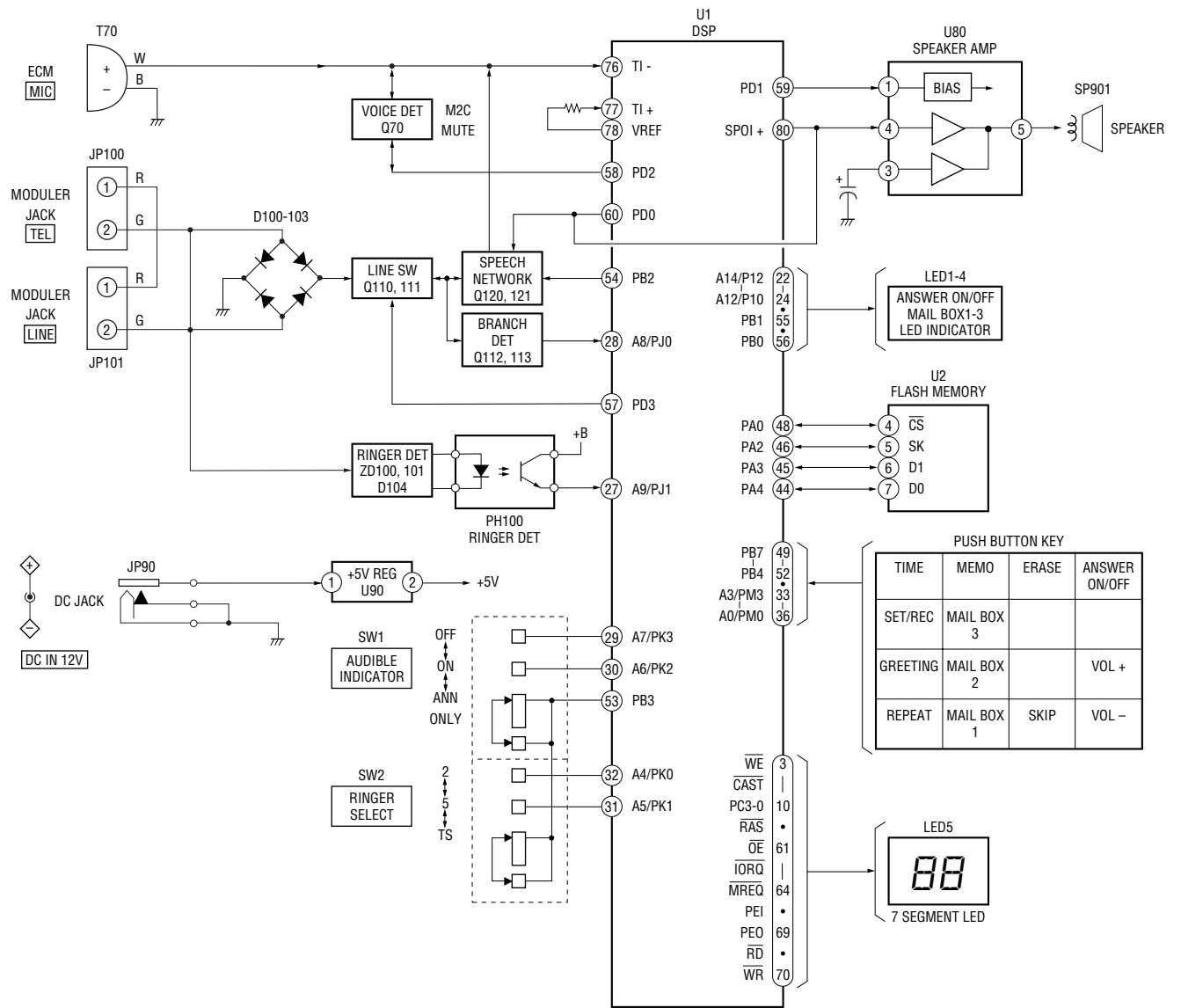
TELEPHONE ANSWERING MACHINE



SONY®

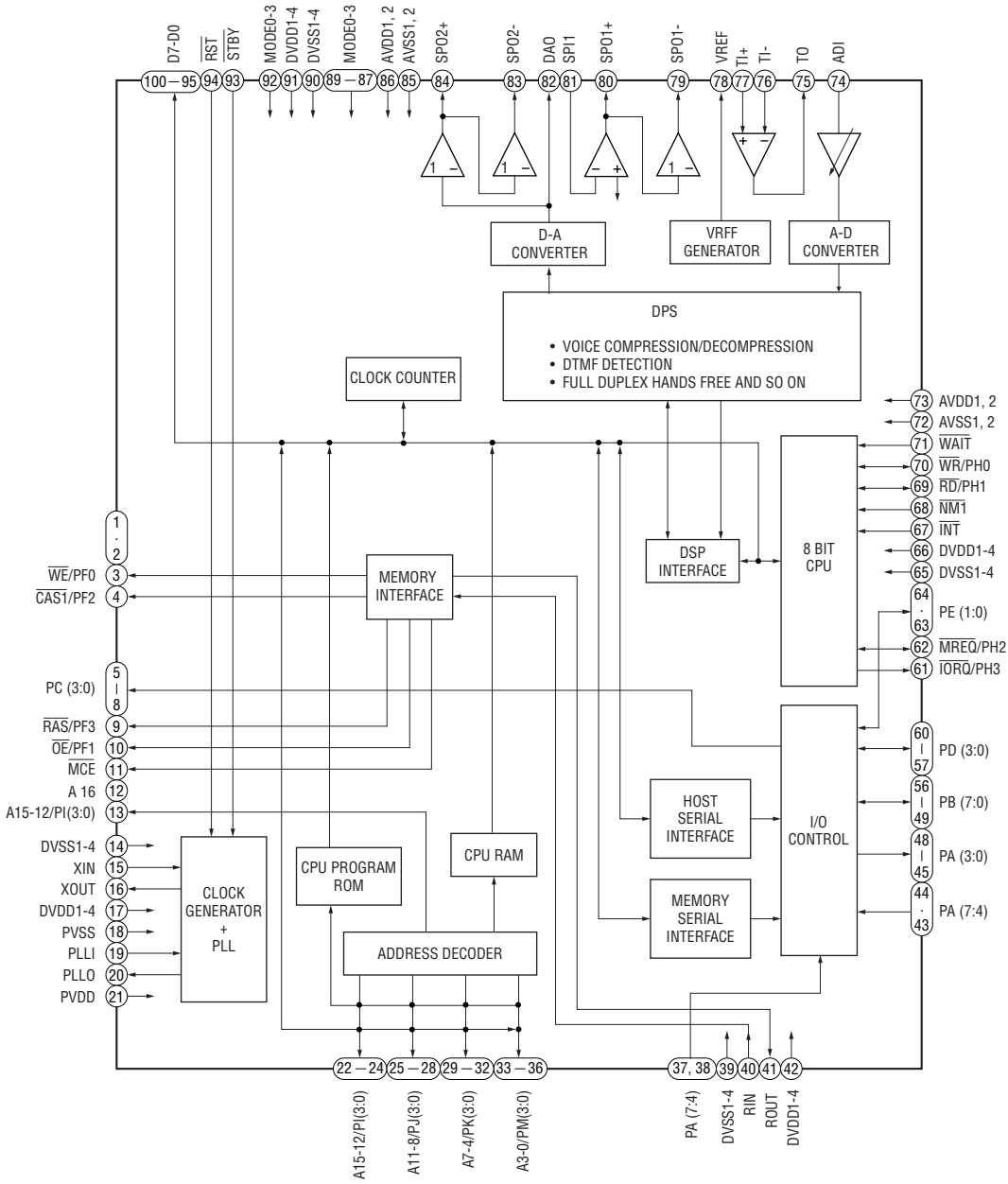
SECTION 2 DIAGRAMS

2-1. BLOCK DIAGRAM

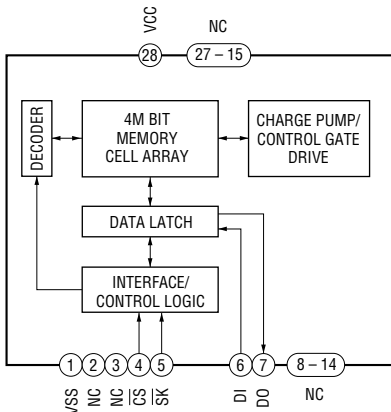


• IC Block Diagrams

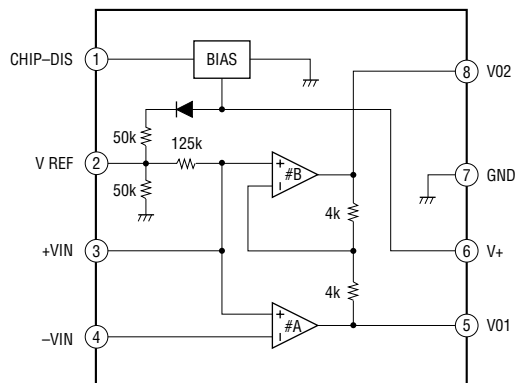
U1 TC88512AF-043



U2 TC58A04F



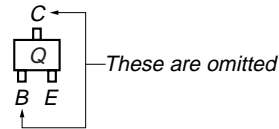
U80 NJM2113M-TE2



THIS NOTE IS COMMON FOR PRINTED WIRING BOARDS AND SCHEMATIC DIAGRAMS.
(In addition to this, the necessary note is printed in each block.)

For schematic diagrams.

- Note:**
- All capacitors are in μF unless otherwise noted. pF: μF 50 WV or less are not indicated except for electrolytics and tantalums.
 - All resistors are in Ω and $1/4\text{W}$ or less unless otherwise specified.
 - Δ : internal component.
 - \square : panel designation.
 - **B+** : B+ Line.
 - Voltage and waveforms are dc with respect to ground under no-signal conditions.
no mark : Add to DC 12V and fed with regulated dc power supply from external power voltage jack.
 - * : Impossible to measure
 - Indication of transistor

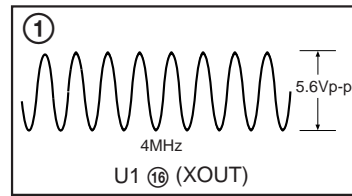


- Voltages are taken with a VOM (Input impedance 10 M Ω). Voltage variations may be noted due to normal production tolerances.
- Waveforms are taken with an oscilloscope. Voltage variations may be noted due to normal production tolerances.
- Circled numbers refer to waveforms.
- Signal path.
 \Rightarrow : AUDIO
- Abbreviation
CND : Canadian model

For printed wiring boards.

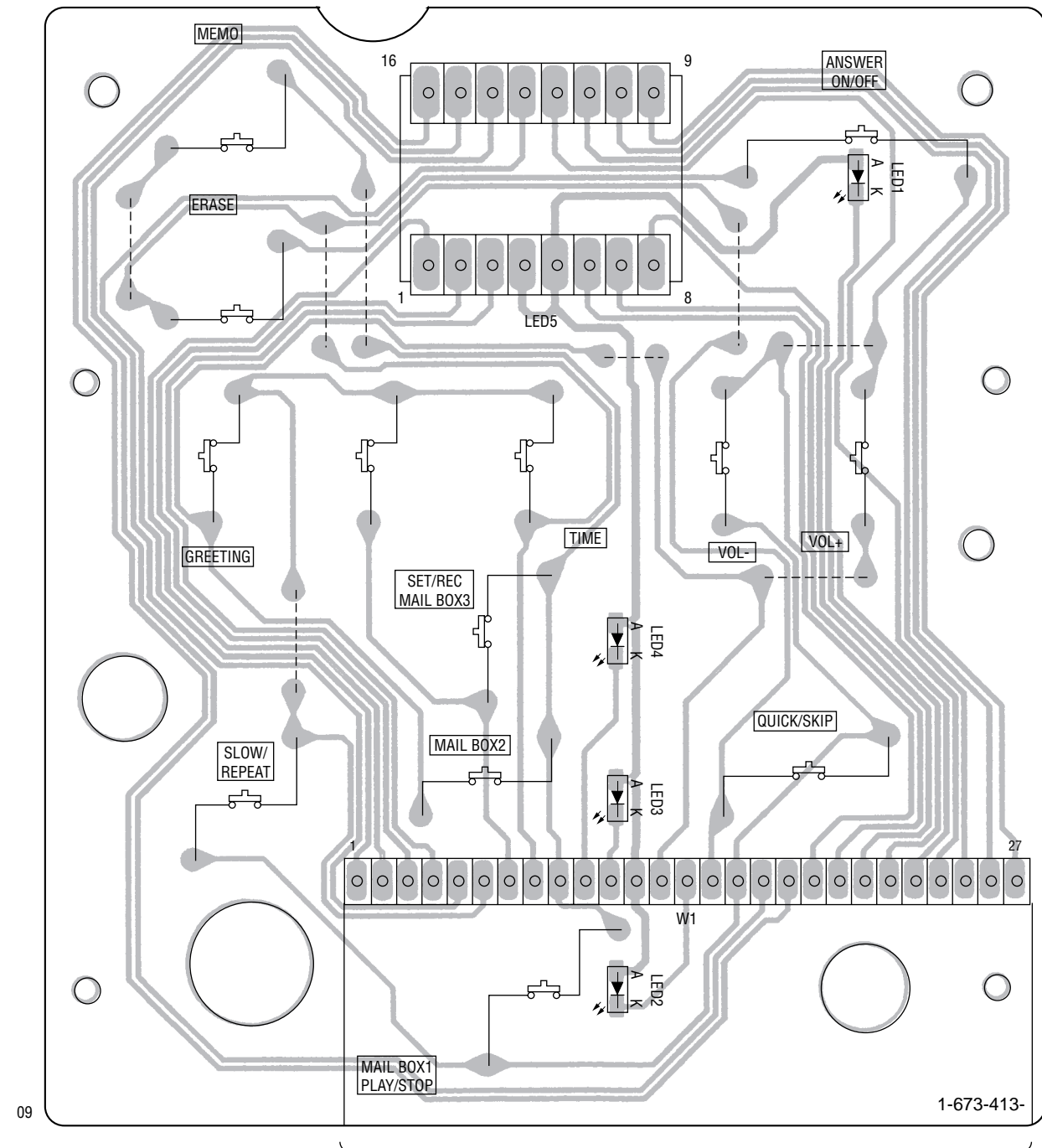
- Note:**
- $\circ - \text{---} - \circ$: carbon pattern
 - $\circ - \text{---} - \circ$: parts extracted from the component side.
 - Δ : internal component.
 - \square : Pattern from the side which enables seeing.

• Waveform



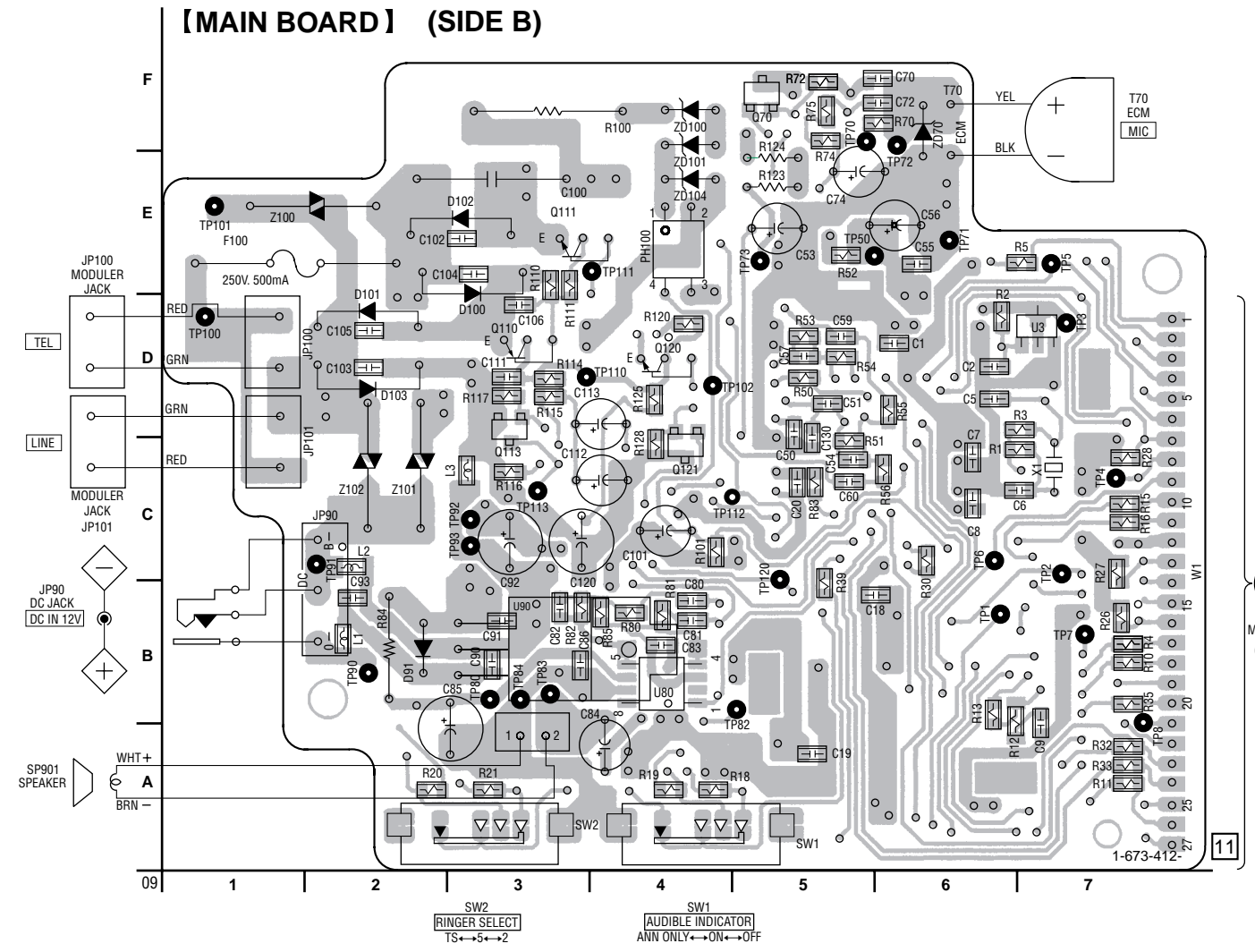
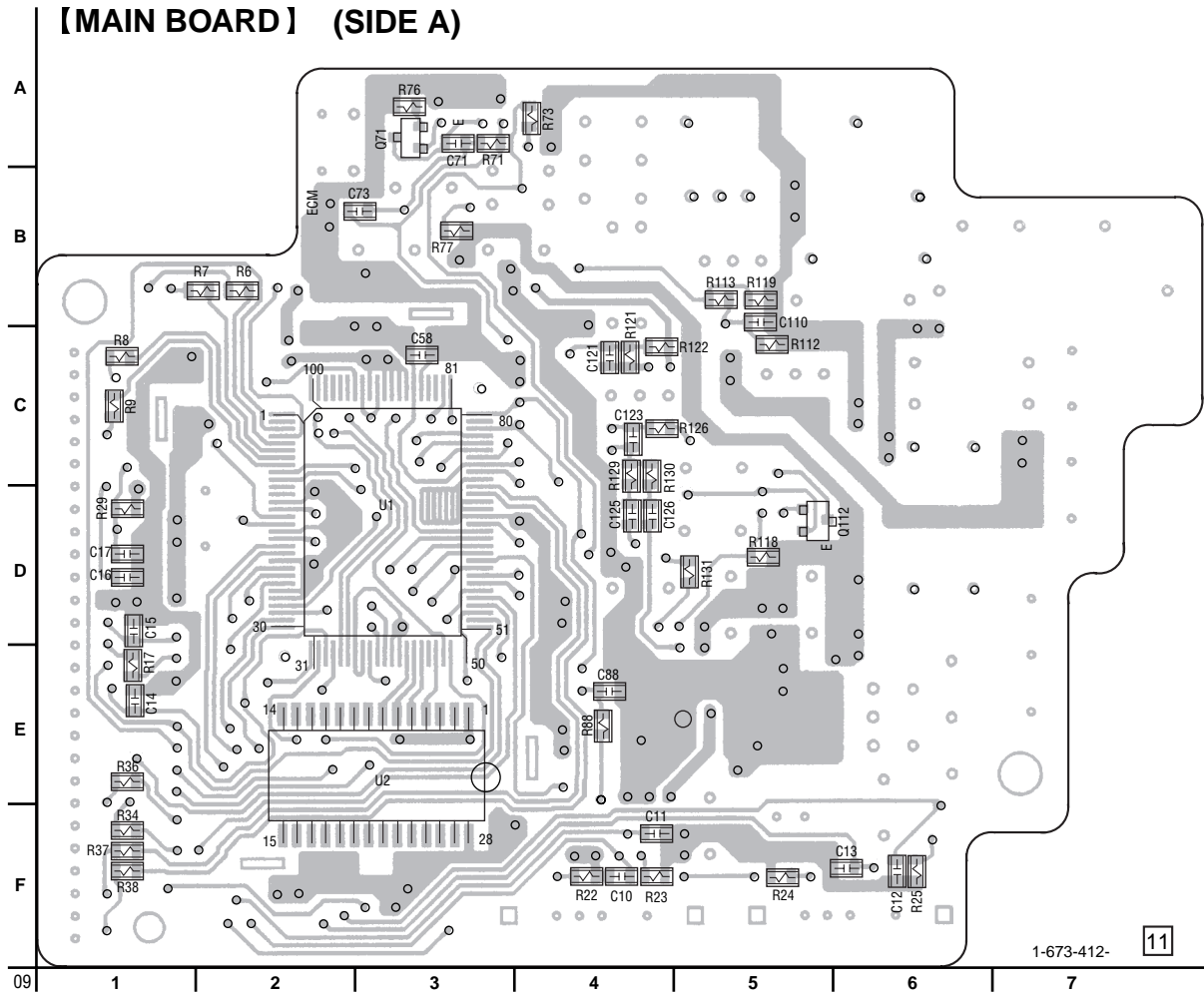
2-2. PRINTED WIRING BOARD — KEY SECTION —

[KEY BOARD]



A MAIN BOARD
(Page 8)

2-3. PRINTED WIRING BOARD — MAIN SECTION —



• Semiconductor Location

Ref. No.	Location
Q71	A-3
Q112	D-5
U1	D-3
U2	E-3

• Semiconductor Location

Ref. No.	Location
D91	B-2
D92	B-2
D100	E-3
D101	D-2
D102	E-3
D103	D-2
Q70	F-5
Q110	D-3
Q111	E-3
Q113	D-3
Q120	D-4
Q121	C-4
U3	D-7
U80	B-4
U90	B-3
ZD70	F-6
ZD100	F-4
ZD101	E-4
ZD104	E-4

A
MAIN BOARD
(Page 8)

2-4. SCHEMATIC DIAGRAM

- Refer to page 6 for IC Block Diagrams.
- Refer to page 7 for Waveforms and Note.

