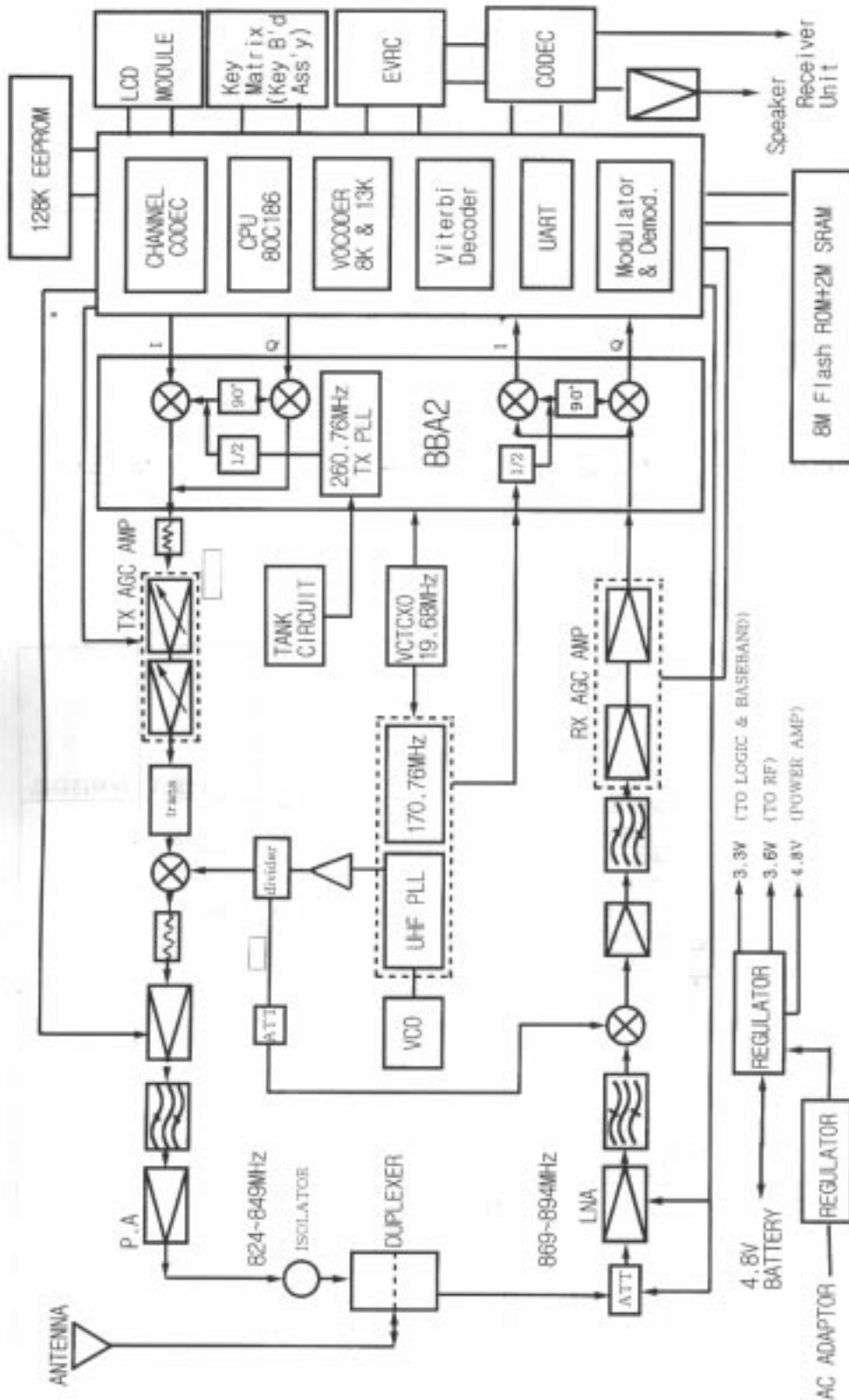
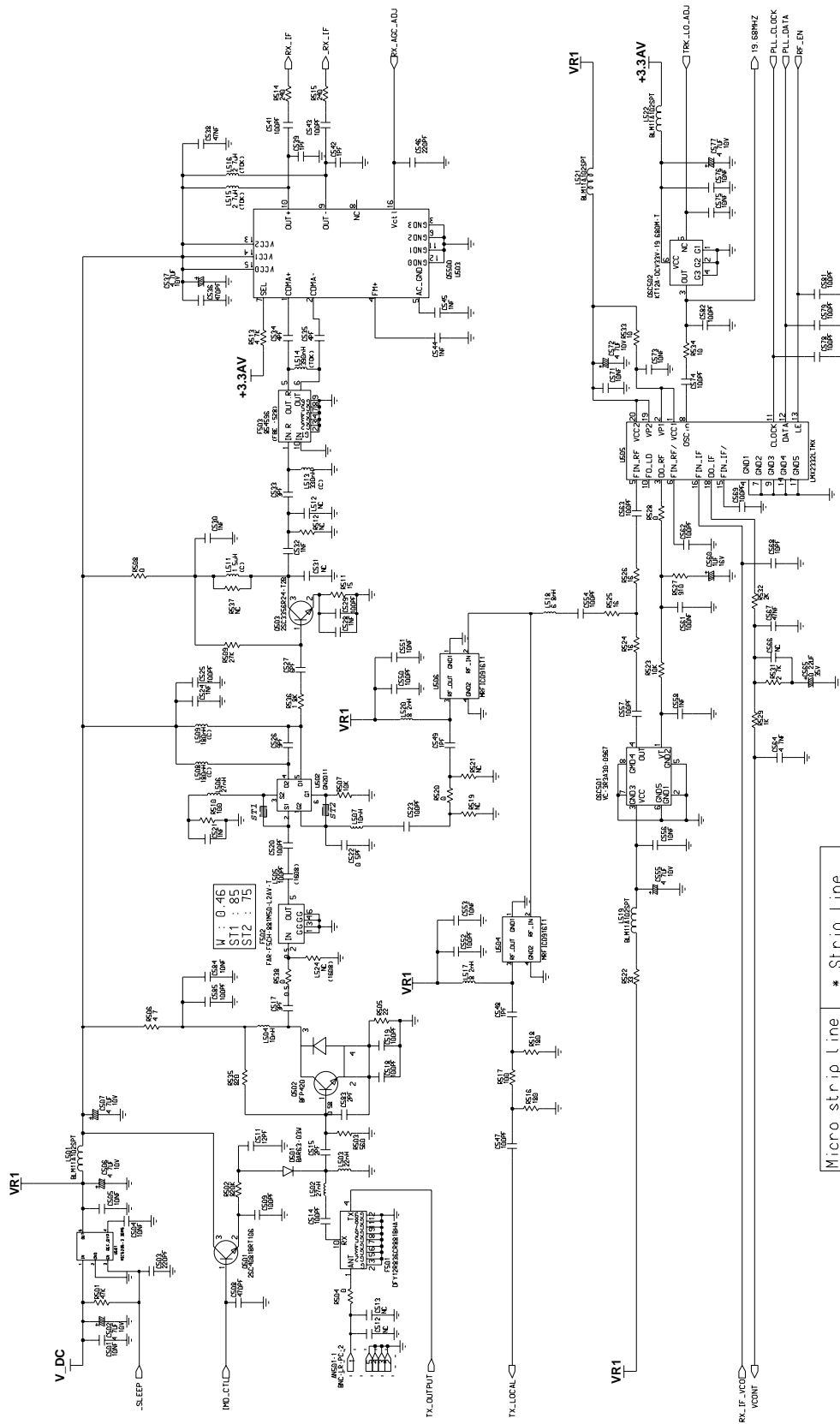


# 10. SCW-F200 Block & Circuit Diagrams

## 10-1 Main Block Diagram



# 10-2 Circuit Diagrams



Micro strip line * Strip line	
W : 0.58	W : 0.46
ST1 : 92.5	ST1 : 80=>85
ST2 : 85	ST2 : 72.5=>75

