

**DAEWOO**

# Service Manual

## Vacuum Cleaner

Model: RC-609



**DAEWOO ELECTRONICS CO., LTD.**

---

## CONTENTS

---

### 1.ELECTRICAL DIAGRAM

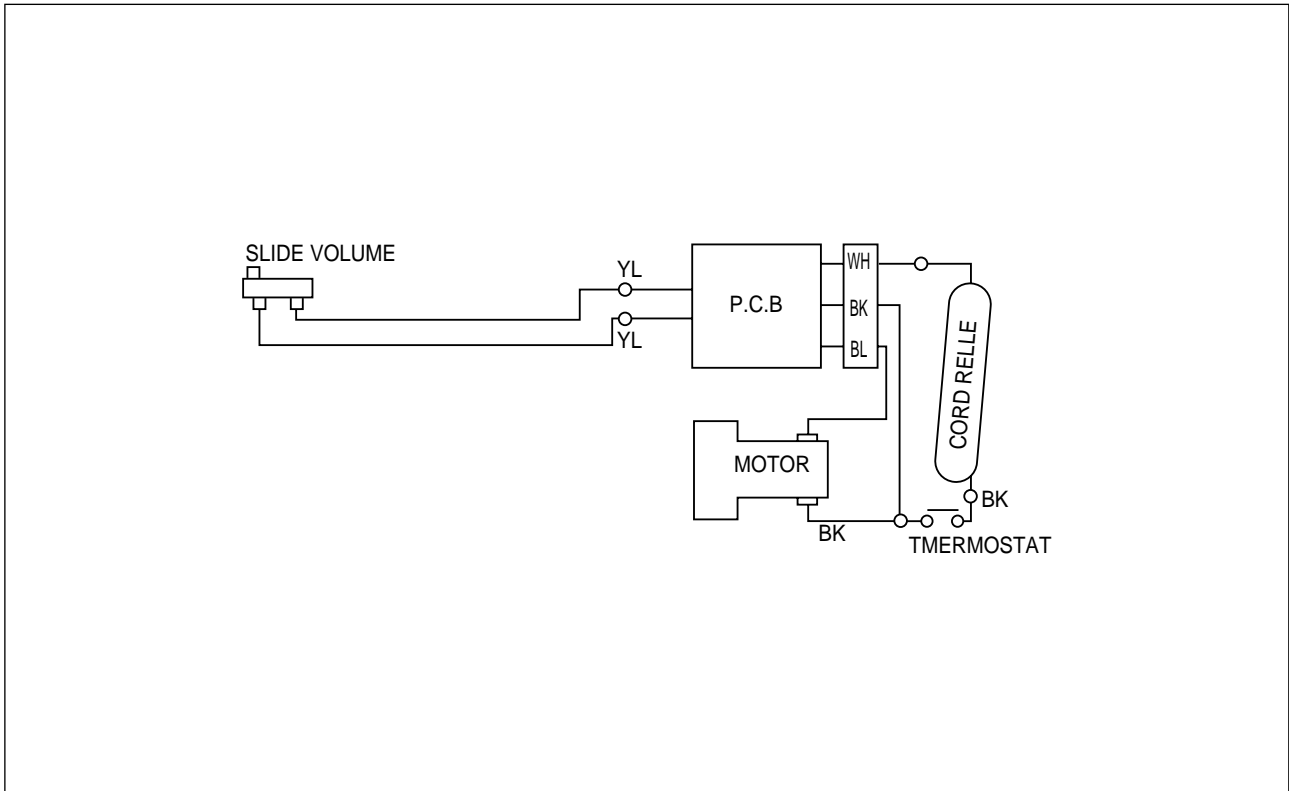
- 1) ARRANGEMENT ..... 1
- 2) CIRCUIT DIAGRAM ..... 1

### 2.EXPLODED VIEW-PARTS LIST

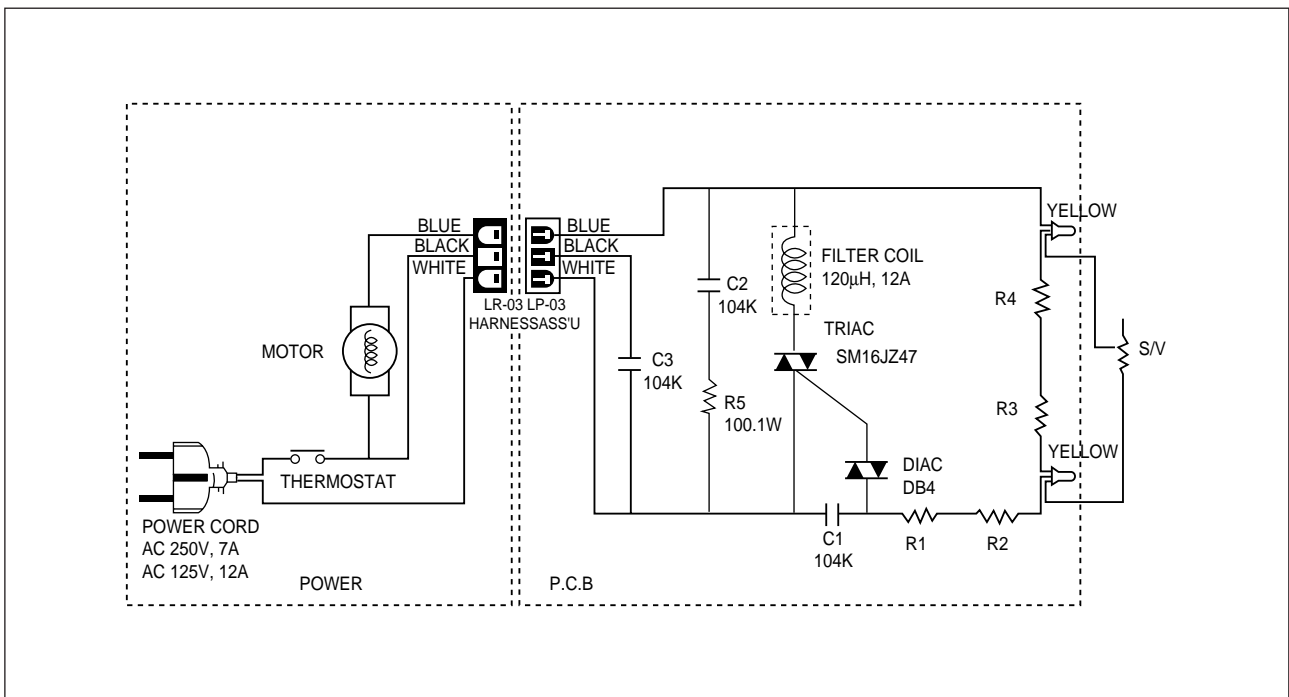
- 1) TOTAL ASSEMBLY ..... 3
- 2) BODY ASSEMBLY ..... 5
- 3) HOLDER ASSEMBLY ..... 7
- 4) CORD REEL ASSEMBLY ..... 9
- 5) MOTOR ASSEMBLY ..... 11
- 6) COVER ASSEMBLY ..... 13
- 7) COVER ASSEMBLY ..... 15
- 8) DUST METER ASSEMBLY ..... 17
- 9) HOSE ASSEMBLY ..... 18
- 10) PIPE ASSEMBLY ..... 22
- 11) BRUSH ASSEMBLY ..... 26
- 12) DUSTING BRUSH ASSEMBLY ..... 32
- 13) CREVICE TOOL ..... 32

# 1. ELECTRICAL DIAGRAM

## 1) ARRANGEMENT

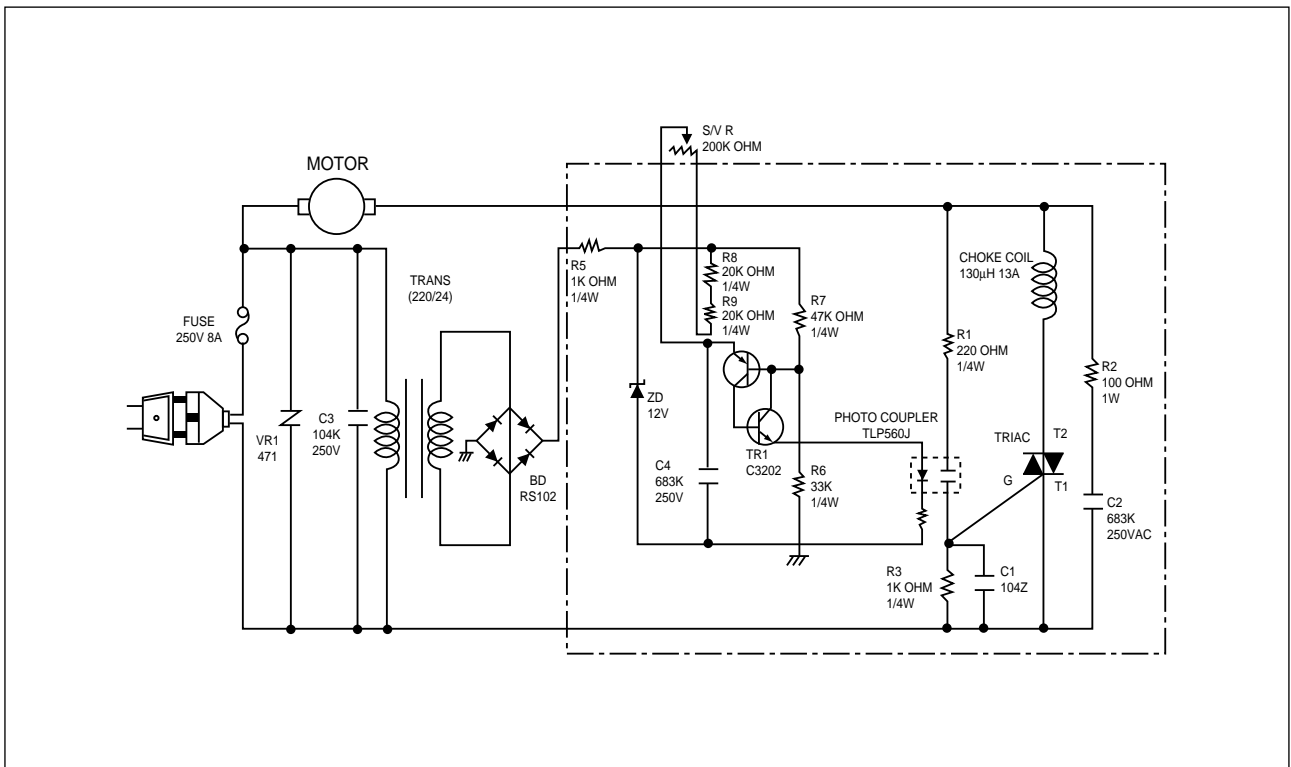


## 2) CIRCUIT DIAGRAM 2-1)



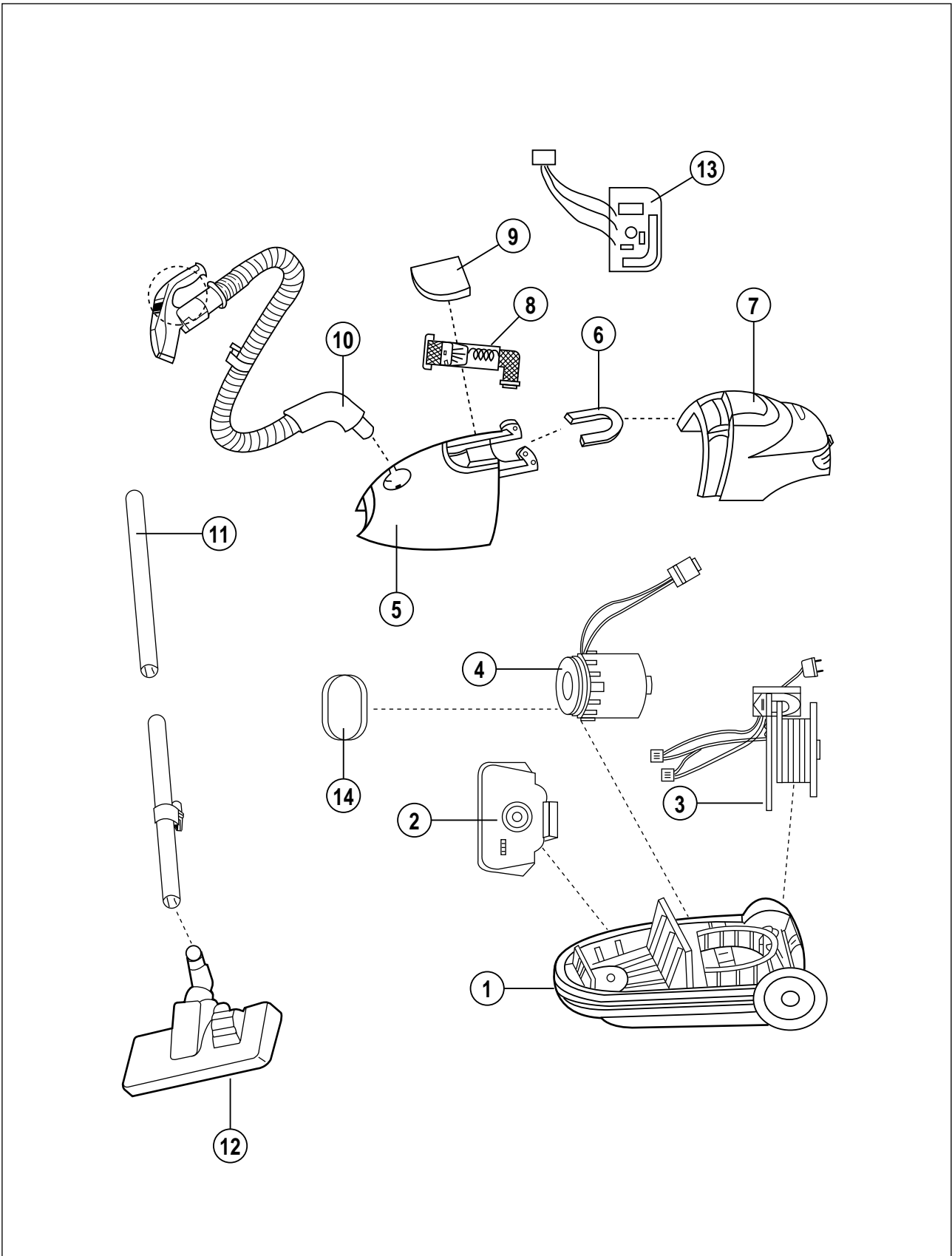
	100~110V	127V/60Hz	220~240V/50Hz	220~230V/60Hz
R 1	$\frac{1}{2}$ W 1K	$\frac{1}{2}$ W 1K	$\frac{1}{2}$ W 10K	$\frac{1}{2}$ W 10K
R 2	$\frac{1}{2}$ W 1K	$\frac{1}{2}$ W 1K	$\frac{1}{2}$ W 10K	$\frac{1}{2}$ W 10K
R 3	$\frac{1}{2}$ W 91K	$\frac{1}{2}$ W 91K	$\frac{1}{2}$ W 180K	$\frac{1}{2}$ W 150K
R 4	$\frac{1}{2}$ W 91K	$\frac{1}{2}$ W 150K	$\frac{1}{2}$ W 240K	$\frac{1}{2}$ W 160K
S/V	200K	200K	500K	500K

2-2)



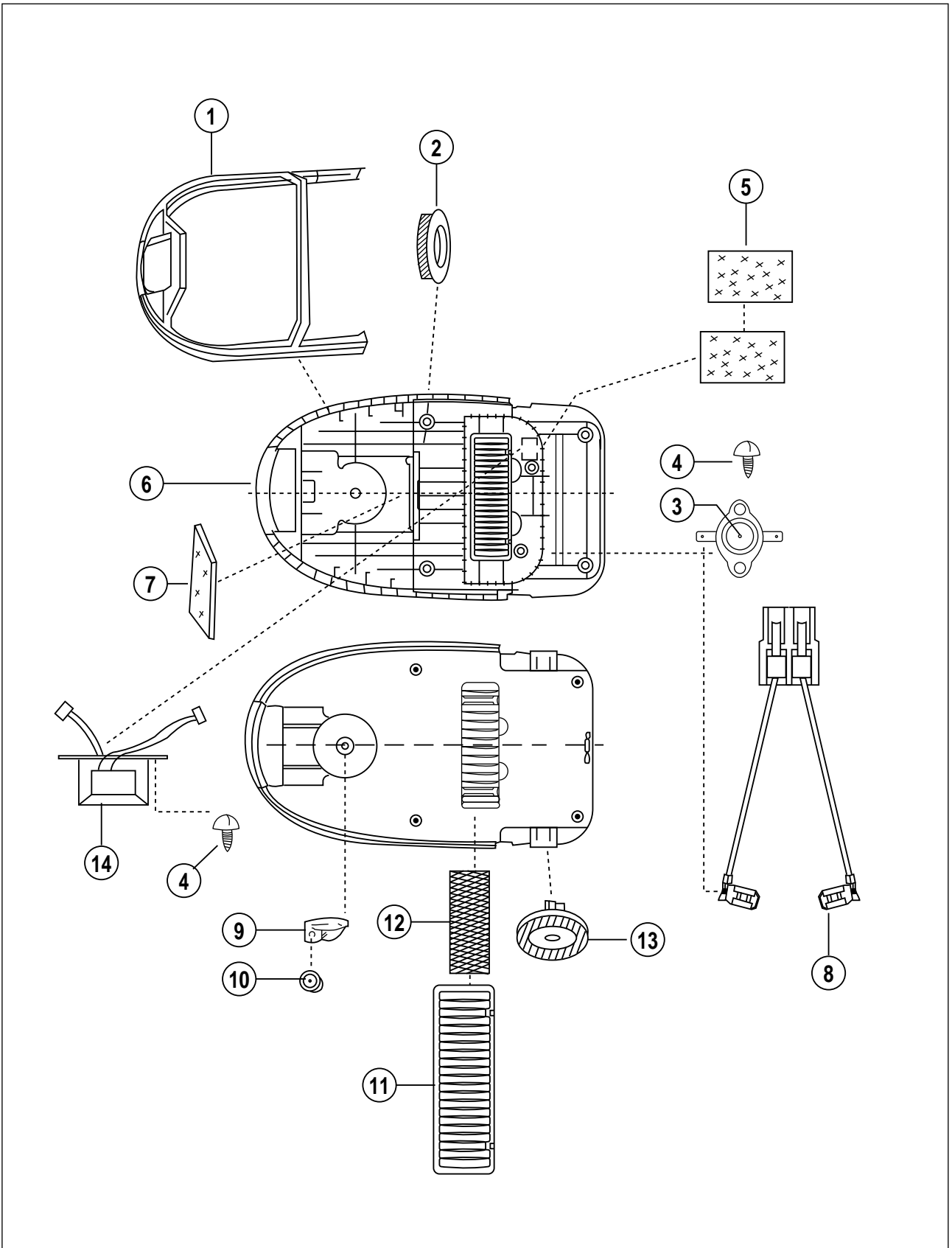
## 2. EXPLODED VIEW-PARTS LIST

### 1) TOTAL ASSEMBLY



NO.	PART CODE	PART NAME	DESCRIPTION	Q' TY	REMARK
1	3620403700	BODY AS	ASS'Y	1	TRANS
	3620402501	BODY AS	ASS'Y		
2	3623000110	HOLDER AS	ASS'Y	1	
3	3629500320	CORD REEL AS	ASS'Y	1	125V/12A
	3629500600	CORD REEL AS	ASS'Y		250V/7A
	3629502700	CORD REEL AS	ASS'Y		
4	3620000900	ASS'Y MOTOR	110V/1000W	1	
	3620000340	ASS'Y MOTOR	127V/1200W		
	3620003700	ASS'Y MOTOR	220V/1200W		DMI
	3620000330	ASS'Y MOTOR	220V/1200W		O/S
	3620000350	ASS'Y MOTOR	230V/1200W		
	3620000320	ASS'Y MOTOR	240V/1000W		
5	3621400500	COVER AS	ASS'Y	1	
6	3622600100	HANDLE	ABS	1	
7	3621400300	COVER AS	ASS'Y	1	
8	3629700200	DUST METER AS	ASS'Y	1	95mm
	3629700400	DUST METER AS	ASS'Y		102mm
9	3621400100	COVER	ABS	1	
10	3623200300	HOSE AS	ASS'Y	1	200K
	3623200100	HOSE AS	ASS'Y		500K
	3623203900	HOSE AS	ASS'Y(SWING)		200K
11	3624400600	PIPE AS	ASS'Y	1	388mm
	3624400700	PIPE AS	ASS'Y + HOLDER		BUTTON
	3624400610	PIPE AS	ASS'Y		438mm
	3624400710	PIPE AS	ASS'Y + HOLDER		BUTTON
	3624403500	PIPE AS	STEEL		
	3624404500	PIPE AS	STEEL + HOLDER		
	3624403600	PIPE AS	BLOWER		
	3624404600	PIPE AS	BLOWER + HOLDER		
12	3629300400	BRUSH AS	ASS'Y	1	CLEAN
	3629301400	BRUSH AS	ASS'Y		QUIET
	3629301700	BRUSH AS	ASS'Y		407
	4565B60001	BRUSH AS	ASS'Y		TURBO
	3629301600	BRUSH AS	ASS'Y		407
13	3624302300	PCB AS	ASS'Y	1	220V/50Hz
14	3620104300	ABSORBER VIBRATION	CR FOAM	1	

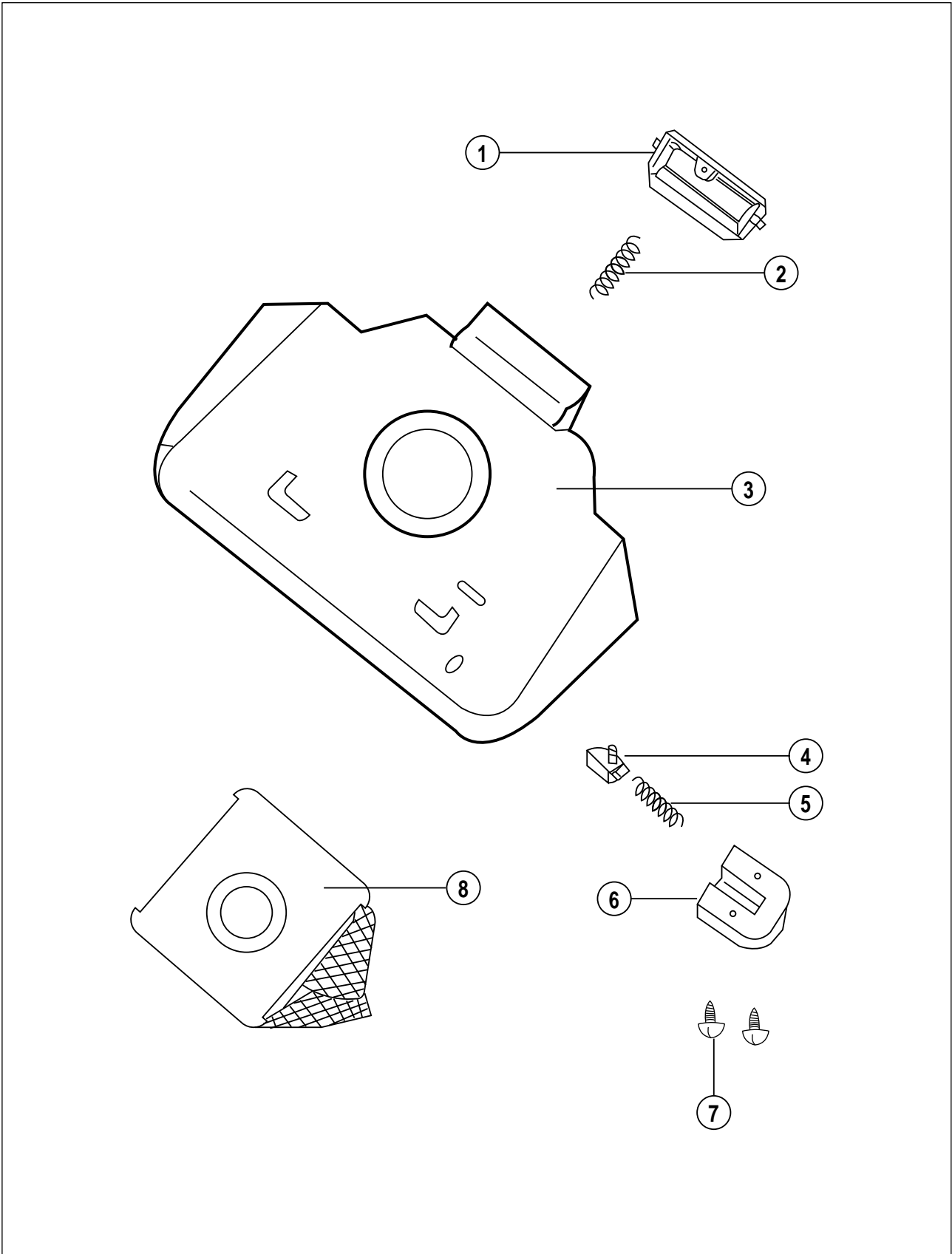
## 2) BODY ASSEMBLY



NO.	PART CODE	PART NAME	DESCRIPTION	Q' TY	REMARK
1	3628300100	PROTECTOR	PVC-S	1	
2	3624000100	PACKING CASE	CR FOAM	1	
3	3629000900	THERMOSTAT	PW-2 T80	1	
4	7121400811	SCREW TAPPING	T2SPAN 4X8MFZN	1	
5	3620100700	ANSORBER SOUND	FELT	2	362040370081
6	3620400200	BODY	ABS KR-2870	1	
7	3621900300	FILTER	PE NONWOVEN	1	
8	3622707200	HARNESS	2HU(BR)+WIRE(BK)	1	
9	36200600100	BRACKET ROLLER	PA	1	
10	3624700200	ROLLER	NYLON 6+PVC	1	
11	3622400100	GRILLE	ABS	1	
12	3621900100	FILTER	PP FIBER	1	
13	3624700100	ROLLER	PP+PVC	2	
14	5EPU351440	TRANS POWER	220V 50Hz	1	3620403700

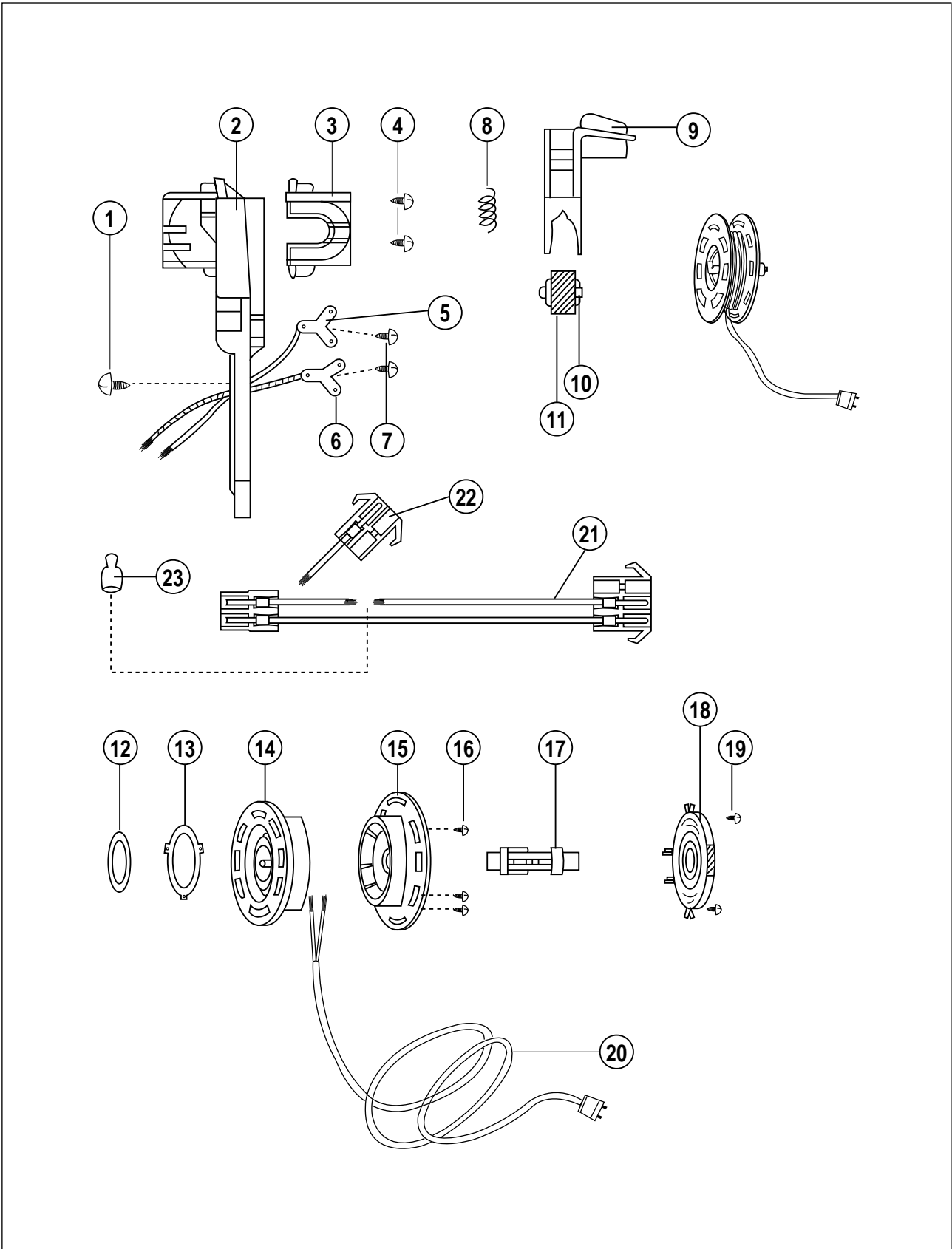


3) HOLDER ASSEMBLY (3623000110)



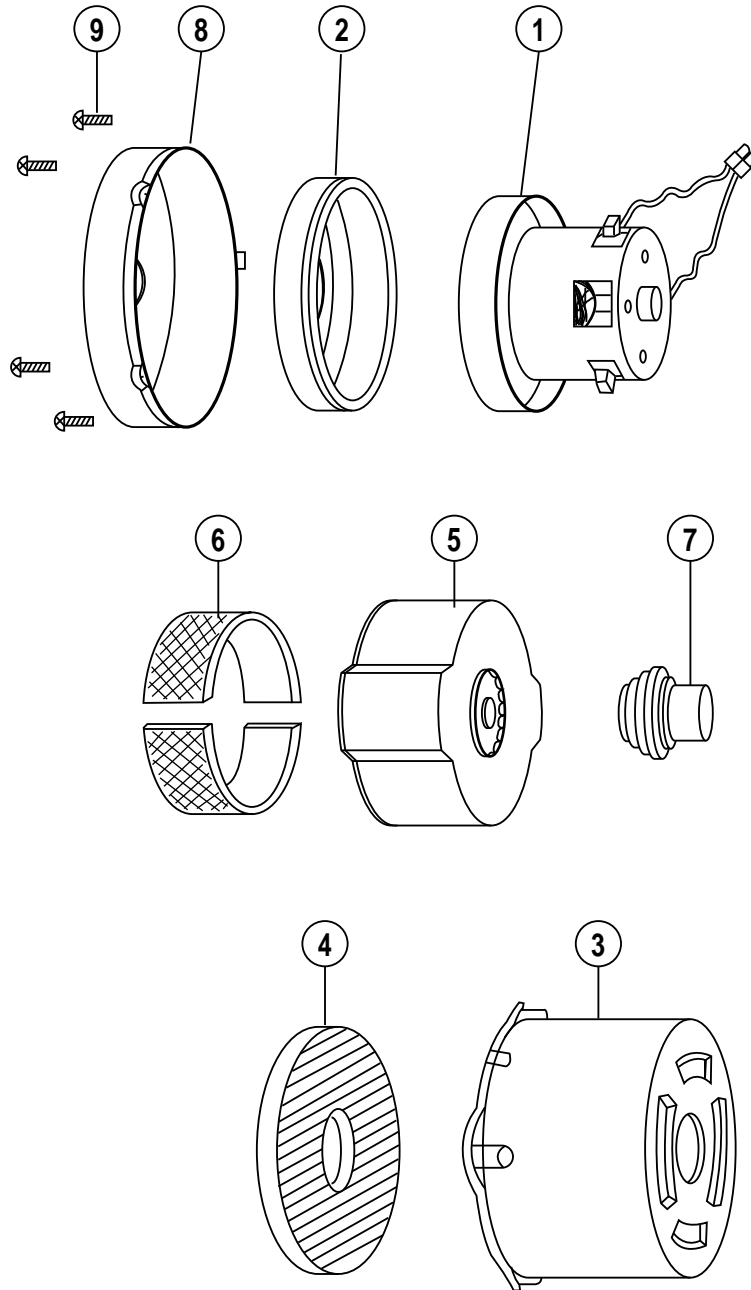
<b>NO.</b>	<b>PART CODE</b>	<b>PART NAME</b>	<b>DESCRIPTION</b>	<b>Q' TY</b>	<b>REMARK</b>
1	3621200100	CLAMP BAG	ABS	1	
2	3625100100	SPRING	HSW3	1	
3	3623000200	HOLDER FILTER	ABS	1	
4	3623700100	LEVER SAFETY	ABS	1	
5	3625100200	SPRING	HSW3	1	
6	3621400200	COVER LEVER	ABS	1	
7	7121301211	SCREW TAPPING	T2S PAN 3X12	2	
8	4560A57001	PAPER BAG	2-LAYER	1	
	4568Z59000	BAG CLOTH FILTER AS			

#### 4) CORD REEL ASSEMBLY



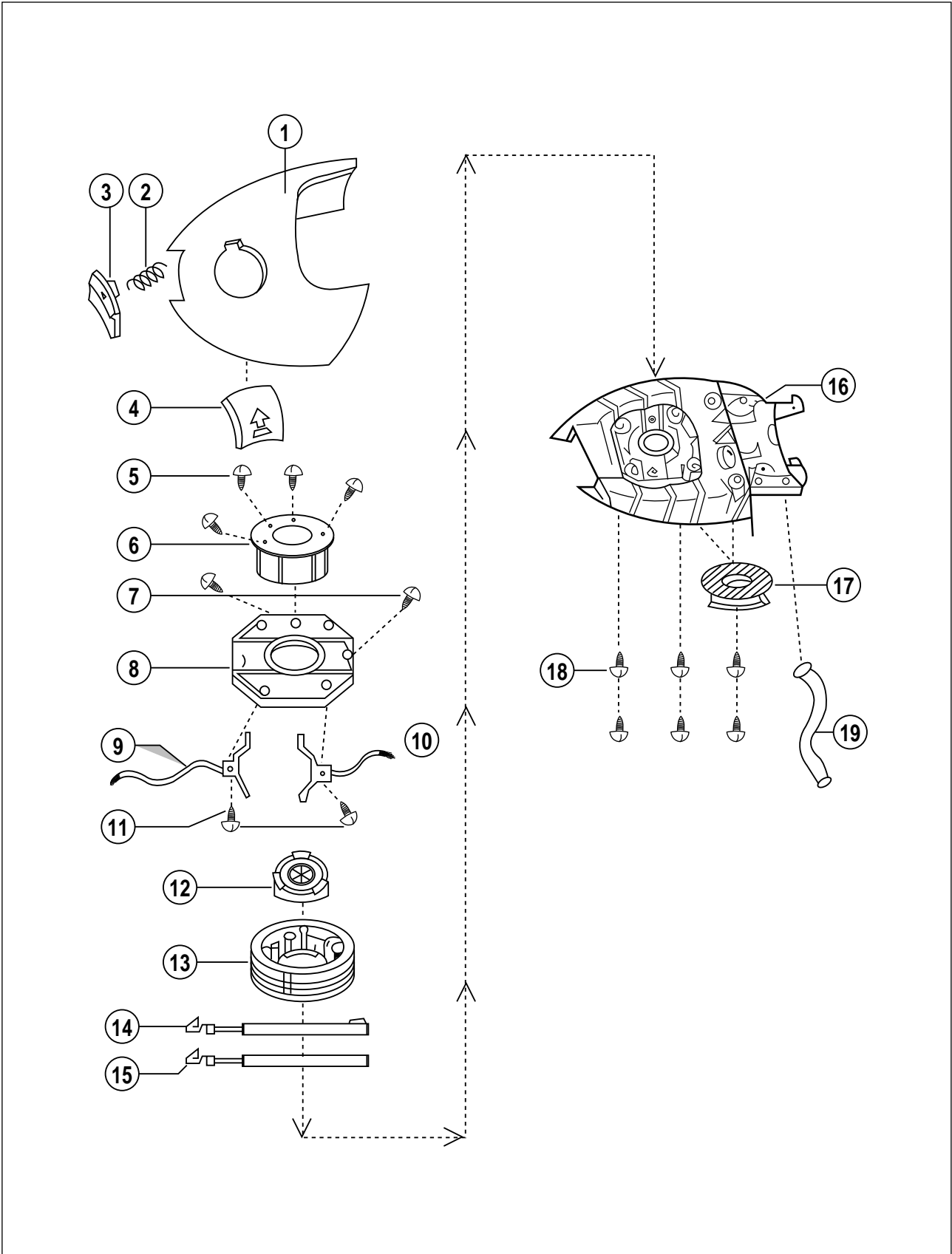
NO.	PART CODE	PART NAME	DESCRIPTION	Q' TY	REMARK
1	7121401411	SCREW TAPPING	T2S PAN 4X14	1	
2	3020600200	BRACKET CR	ABS	1	
3	3622200200	FRAME CORD	ABS	1	
4	7121401211	SCREW TAPPING	T2S PAN 4X12	2	
5	3628701900	TERMINAL AS	Y TER+WIR(WH)	1	
6	3628704900	TERMINAL AS	Y TER+WIR(BK)	1	
7	7121400811	SCREW TAPPING	T2S PAN 4X8	2	
8	4560F35030	SPRING	HSW3	1	
9	3626600100	BUTTON R	ABS	1	
10	4565A35070	FRAME STOPPER	ACETAL	1	
11	3569C35082	STOPPER CR	NBR	1	
12	3628700100	TERMINAL	C2600P, T=0.5	1	
13	3628700200	TERMINAL	C2600P, T=0.5	1	
14	3629200100	BOBBIN	ABS	1	
15	3629200200	BOBBIN	ABS	1	
16	7121401211	SCREW TAPPING	T2S PANX12	3	
17	4569C35050	SHAFT CR	ABS	1	
18	3625102000	SPRING AS	SUS301-EH+COVER	1	
19	7121300811	SCREW TAPPING	T2S PAN 3X8	2	
20	3621300101	CORD POWER	250V, 7A WO-SIN 5M	1	220~240V
21	3622707100	HAR NESS	2HU+3HU+WI(BK,BL)	1	
22	3622707300	HAR NESS	2HU(BK)+WI(BK)	1	
23	4505A63030	CEC	ST CE-230	1	

## 5) MOTOR ASSEMBLY



NO.	PART CODE	PART NAME	DESCRIPTION	Q' TY	REMARK
1	3962330320	V/C MOTOR	220V, 1200W O/S HARNESS	1	
	3662330520		220V, 1200W DMI HARNESS		
	3962230300		110V 60HZ 1200W		
	3962720210		127V 50~60HZ 1200W		
	3962510220		230V 60HZ 1200W		
2	3624000900	PACKING MOTOR	CR FORM	1	
3	3621101100	CASE MOTOR	ABS	1	
4	3621901300	FILTER	PU FOAM T=10	1	
5	3622500700	GUIDE AIR	ABS	1	
6	3620103400	ABSORBER SOUND	FELT T=3	1	
7	3627900100	MOUNT MOTOR	TPE	1	
8	3621101200	CASE MOTOR	ABS	1	
9	7121401411	SCREW TAPPING	T <sub>2</sub> S PAN 4X14 MFZN	4	

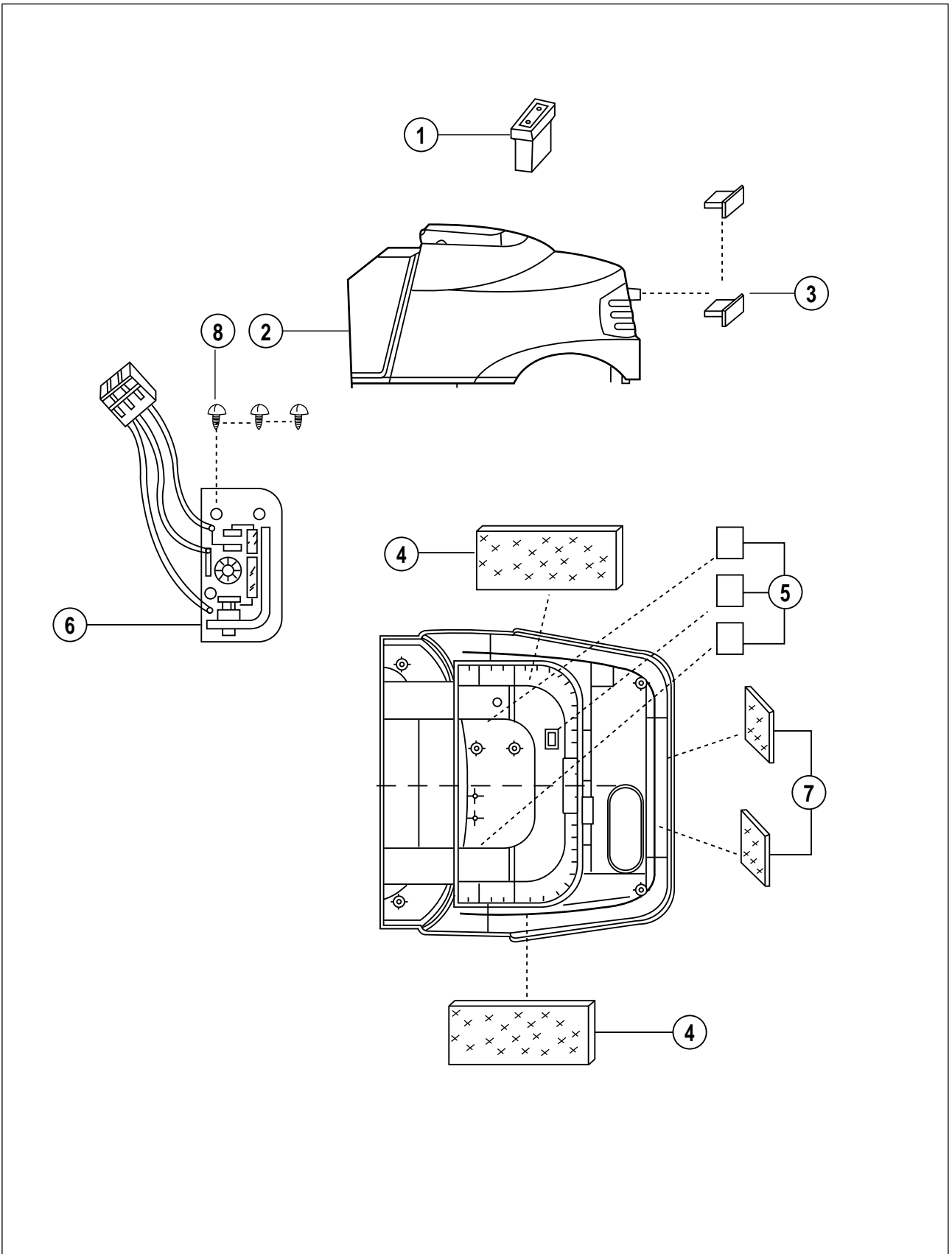
## 6) COVER ASSEMBLY (3621400500)



NO.	PART CODE	PART NAME	DESCRIPTION	Q' TY	REMARK
1	3621400600	COVER DUST	ABS	1	
2	4560A52030	SPRING	HSW3	1	
3	3621200200	CLAMP DC	ABS	2	
4	3621700200	DOOR (SHUTTER)	ABS	1	
5	7121301411	SCREW TAPPING	T2S PAN 3X14	4	
6	3629800100	SOCKET	ABS KR-2870	1	
7	7121401200	SCREW TAPPING	T2S PAN 4X12	2	
8	3623000300	HOLDER SOCKET	ABS	1	
9	4569C52160	V TERMINAL-B	TERMINAL+WIRE	1	
10	4569C52080	V TERMINAL-A	TERMINAL+WIRE	1	
11	7121301211	SCREW TAPPING	T2S PAN 3X12	2	
12	3624000200	PACKING SOCKET	RUBBER CR	1	
13	3622200100	FRAME TERAINAL	ABS	1	
14	3628700900	TERAINAL ASSY	TERMINAL + WIRE	1	
15	3628701100	TERAINAL ASSY	TERMINAL + WIRE	1	
16	3624500100	PLATE COVER	ABS	1	
17	3624000300	PACKING	REBBER CR	1	
18	7121401211	SCREW TAPPING	T2S PAN 4X14	6	
19	8-0Q0400BK	TUBE PVC	AWG4 D=4.0mm BK	0.2	

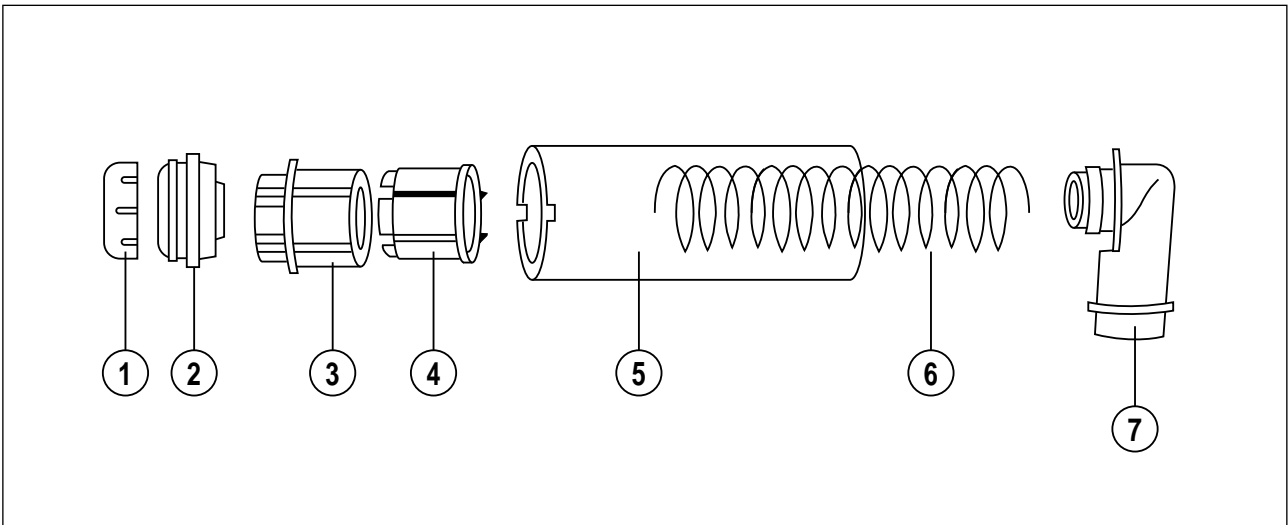


## 7) COVER ASSEMBLY



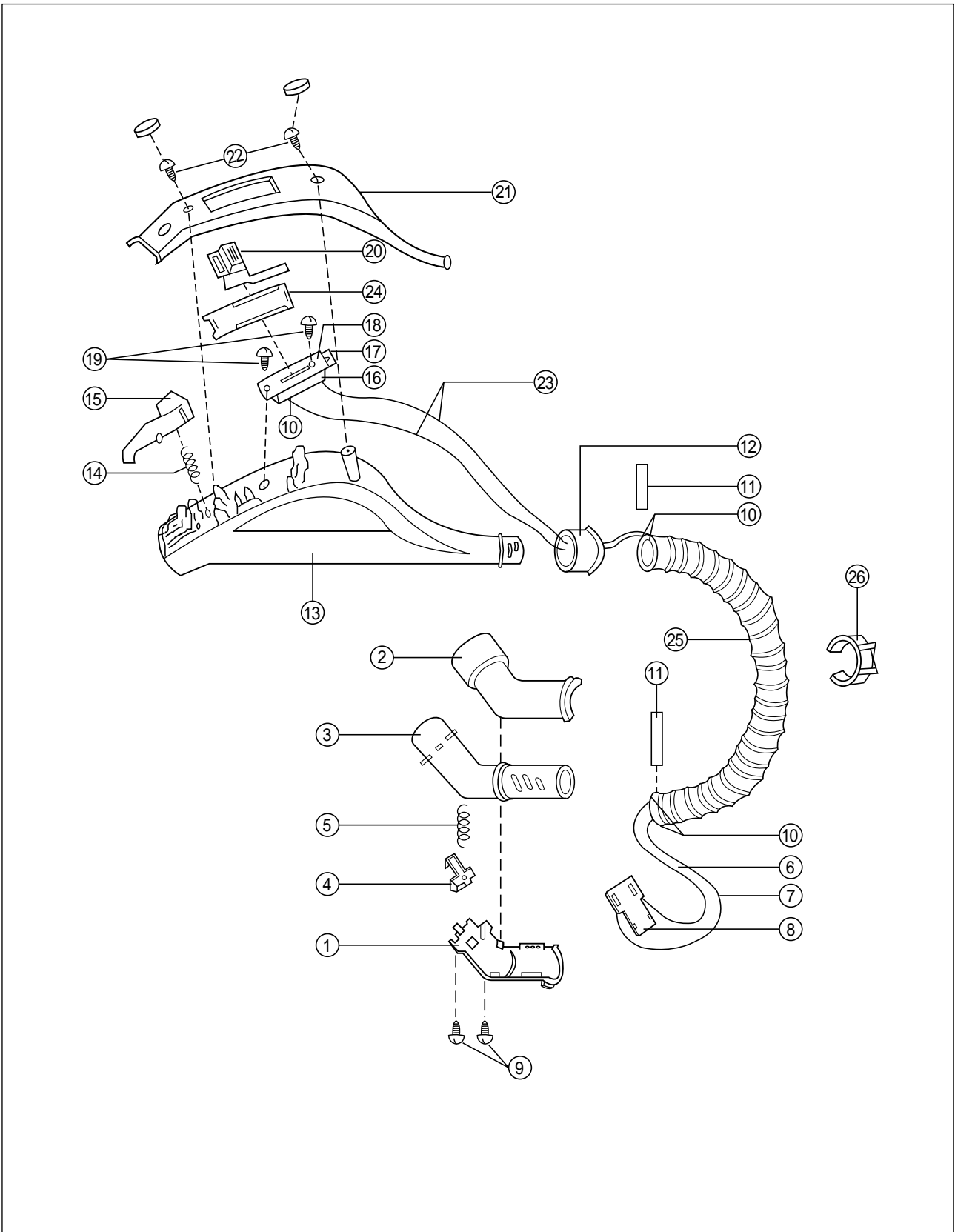
<b>NO.</b>	<b>PART CODE</b>	<b>PART NAME</b>	<b>DESCRIPTION</b>	<b>Q' TY</b>	<b>REMARK</b>
1	4519F35000	SW PUSH	LA701	1	
2	3621400400	COVER BODY	ABS	1	
3	3621500500	CUSHION STAND	PVC	2	
4	3620100900	ABSORBER SOUND	FELT	2	
5	4560F24030	COVER HOLE	PE-FOAM	3	
6	3624302300	PCB AS	230V, 60HZ	1	
	3624300101		220V, 60HZ		
	3624302500		127V, 60HZ		
7	3621900400	FILTER	PE NONWOVEN MAT	2	
8	7121400811	SCREW TAPPING	T2S PAN 4X8	3	

## 8) DUST METER ASSEMBLY



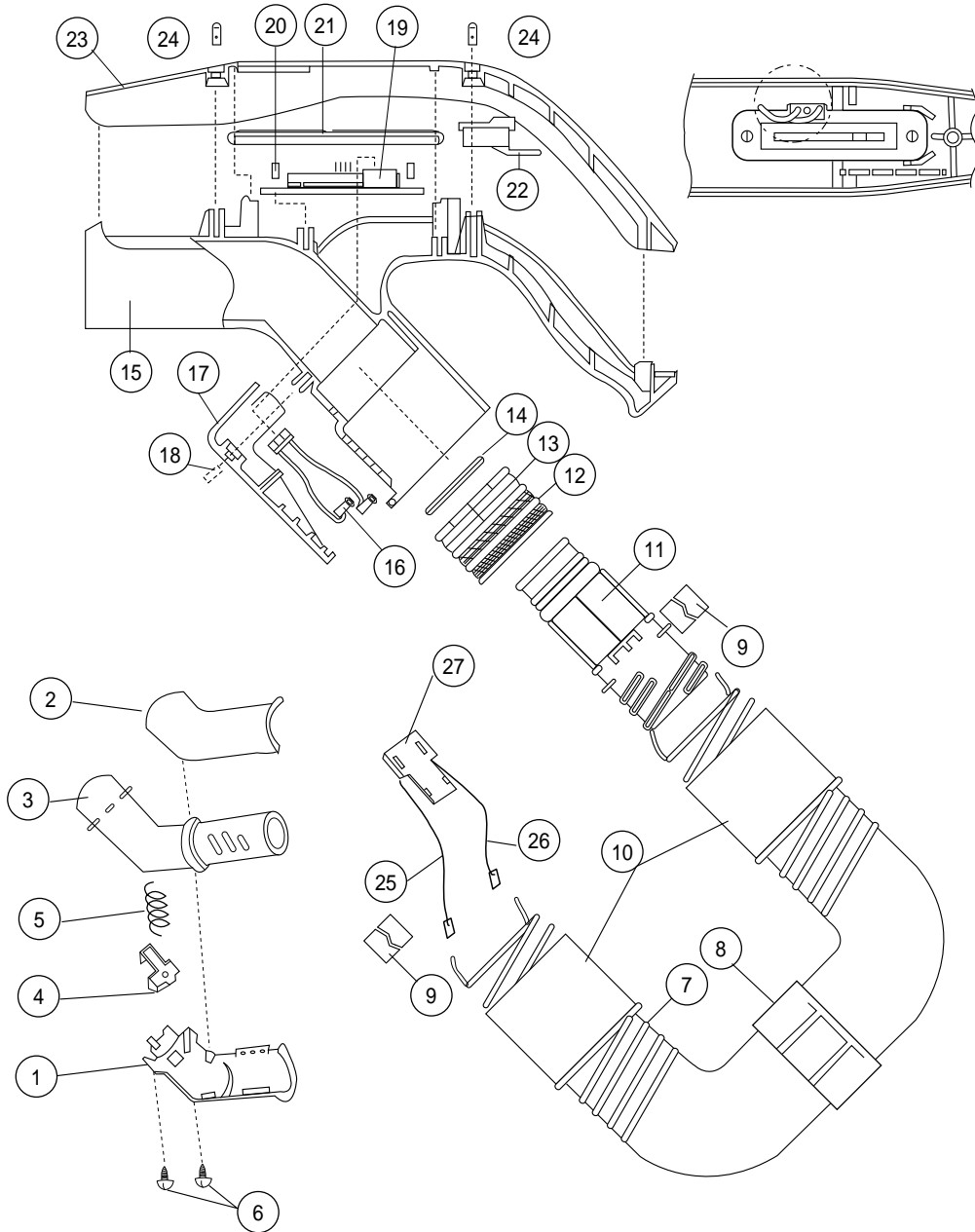
NO.	PART CODE	PART NAME	DESCRIPTION	Q' TY	REMARK
1	3625400100	VALVE DM	LDPE	1	
2	3624000400	PACKING DM	PVC	1	
3	4560F23030	DM-R	ABS	1	
4	3629700100	DUST METER	ABS	1	
5	4560F23010	HOUSING DM	MS-2000	1	
6	3625101600	SPRING	SUS 304	1	3629700400
	3625101100				3629700200
7	3627100200	ELBOW DM	PVC	1	

9) HOSE ASSEMBLY  
9-1)



NO.	PART CODE	PART NAME	DESCRIPTION	Q' TY	REMARK
1	3621401100	COVER HOSE	ABS	1	
2	3621401200	COVER HOSE	ABS	1	
3	3627100100	ELBOW(ADAPTER)HOSE	ABS	1	
4	3626600400	BUTTON ADADTER	ABS	1	
5	4569C70051	SPRING	HSW3	1	
6	4569C70060	L-TERMINAL-L AS	TERMINAL+WIRE	1	
7	4569C70070	L-TERMINAL-R AS	TERMINAL+WIRE	1	
8	4569C70080	HOLDER L TERMINAL	ABS	1	
9	7121301211	SCREW TAPPING	T2S PAN 3X12	2	
10	2193101100	SOLDER BAR	SAN 60:40	1.0	
11	2TU00019BK	TAPE VINYL	10CM BK	2	
12	4565A70040	COVER HOSE	PP	1	
13	3624400400	PIPE HOSE	ABS	1	
14	3625400500	SPRING	HSW3	2	
15	3626600200	BUTTON PIPE	POM	1	
16	5V2504005B	VR SLIDE	500K VJ3013-2PVN	1	500K
	5V2204003B	VR SLIDE	200K VJ3013-2P		200K
17	4569G25050	PLATE SLIDE VR	SPG	1	
18	7121301211	SCREW TAPPING	T2S PAN 3X12	1	
19	7121301211	SCREW TAPPING	T2S PAN 3X12	2	
20	3623400100	KNOB	PC	1	
21	3621401300	COVER PIPE	ABS	1	
22	7121301211	SCREW TAPPING	T2S PAN 3X12	2	
23	8YS20018YW	WIRE LEAD	270M/M VSF 20/0.18	2	
24	3624500200	PLATE	ABS	1	
25	4565A71001	HOSE AS	PVC+SWRS	1	
26	4560F77000	HOOK HOSE	PP	1	

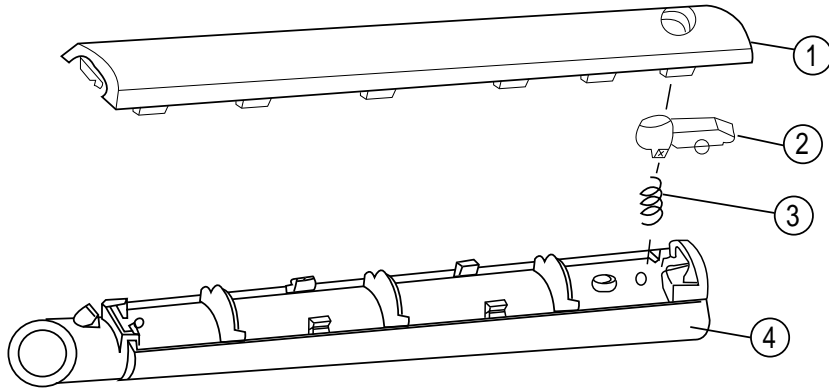
9-2)



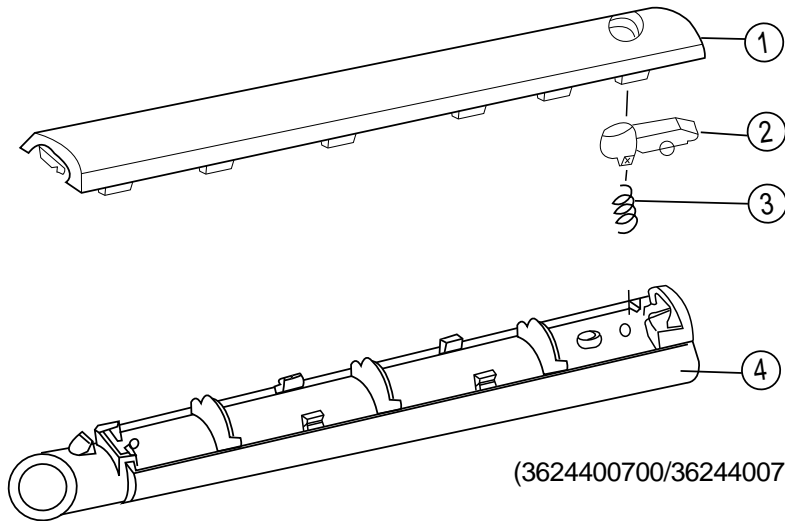
NO.	PART CODE	PART NAME	DESCRIPTION	Q' TY	REMARK
1	3621401100	COVER	ABS	1	
2	3621401200	COVER	ABS	1	
3	3627100100	ELBOW	ABS	1	
4	3626600400	BUTTON	ABS	1	
5	4569C70060	CLAMP SPRING	HSW3	1	
6	7121301211	SCREW TAPPING	T2S PAN 3X12	2	
7	3623202900	HOSE	PVC-S/SWRS	1	1.5M
8	2TU00019BK	TAPE VINYL	19MM BLOCK	0.5	
9	4565A70040	COVER HOSE	PP	2	
10	3629100400	ADAPTER PIPE	ABS	1	
11	3622200700	FRAME TERMINAL	FRAME+TERMINAL AS	1	
12	3622200600	FRAME TERMINAL	ABS	1	
13	3624002400	PACKING PIPE	NBR	1	
14	2291140301	WAX SILICON	TSC987 1 CAN -200g		
15	3624403800	PIPE HOSE	ABS	1	
16	3628704600	TERMINAL AS	TERMINAL+WIRE+RECE	2	
17	3621409000	COVER TERMINAL	ABS	1	
18	7121301011	SCREW	T2S PAN 3X10	1	
19	3624303900	PCB SLIDE VOLUME AS	PCB+S/V+HOUSING	1	
20	7121300800	SCREW TAPPING	T2S PAN 3X8	2	
21	3624500200	PLATE	ABS	1	
22	3623400100	KNOB	PC	1	
23	3621409700	COVER PIPE	ABS	1	
24	7121301211	SCREW TAPPING	T2S PAN 3X12	2	
25	4569C70060	L-TERMINAL-LAS	TERMINAL+WIRE	1	
26	4569C70070	L-TERMINAL-RAS	TERMINAL+WIRE	1	
27	4569C70080	HOLDER L-TER	ABS	1	

# 10. PIPE ASSEMBLY

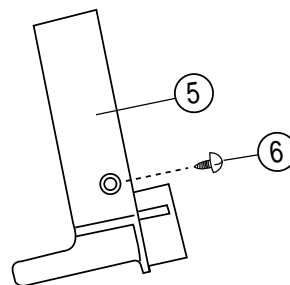
## 10-1)



(3624400600/3624400610)



(3624400700/3624400710)





---

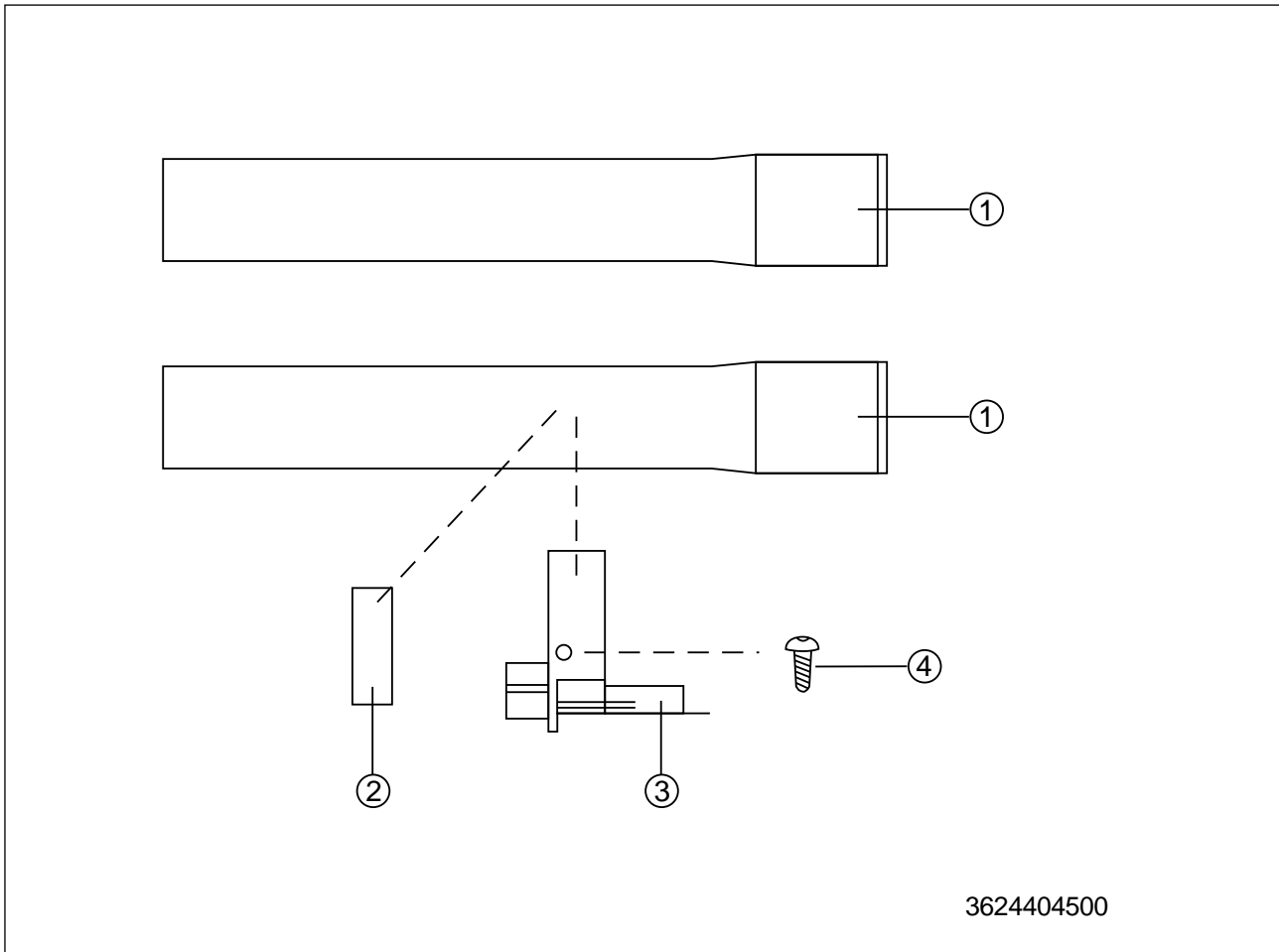
**PIPE ASSEMBLY**

<b>NO.</b>	<b>PART CODE</b>	<b>PART NAME</b>	<b>DESCRIPTION</b>	<b>Q' TY</b>	<b>REMARK</b>
1	3621401000	COVER	ABS	1	
2	3626600200	BUTTON	POM	1	
3	3625100500	SPRING	HSW3	1	
4	3624400500	PIPE	ABS	1	

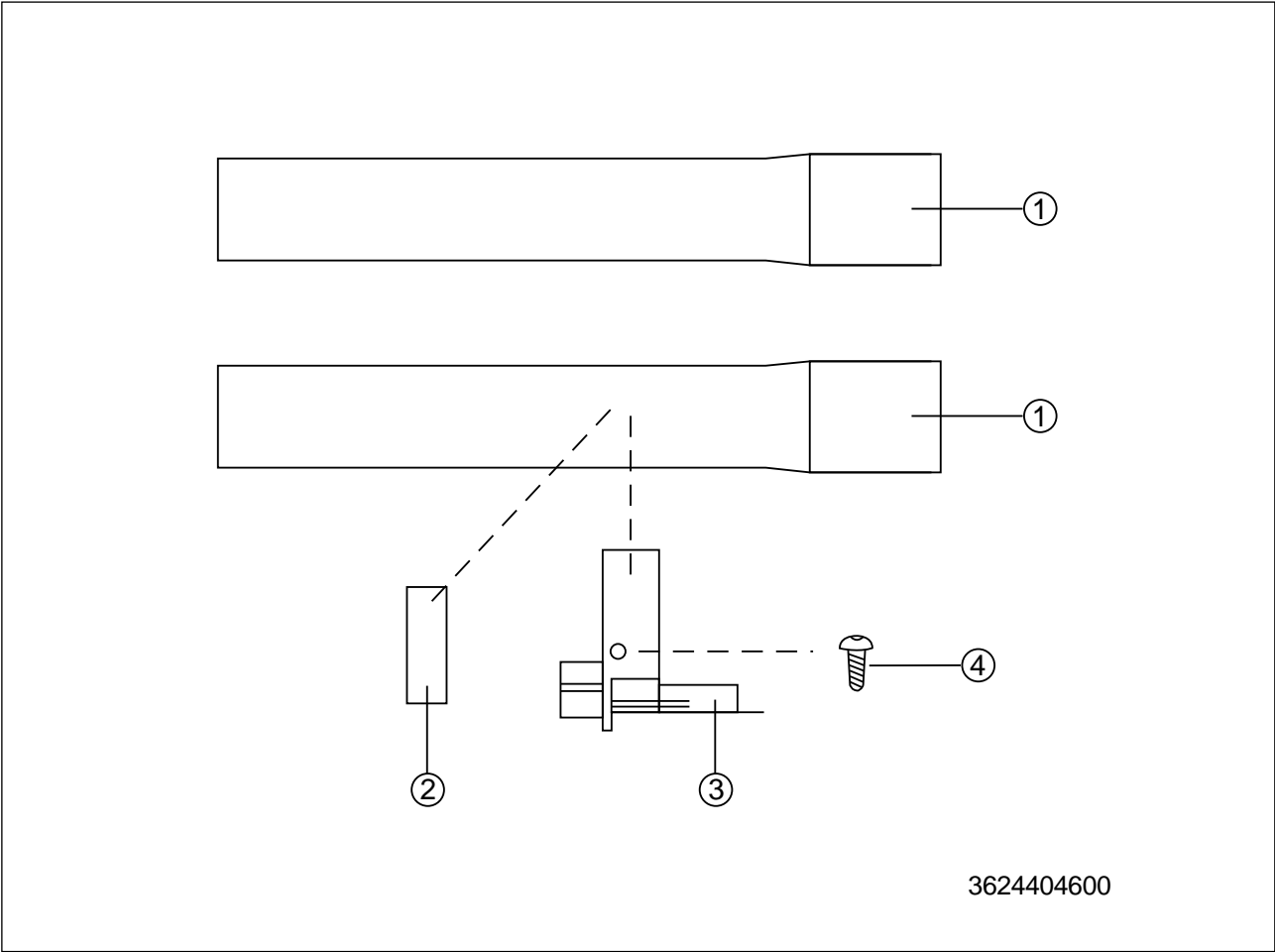
**PIPE ASSEMBLY**

<b>NO.</b>	<b>PART CODE</b>	<b>PART NAME</b>	<b>DESCRIPTION</b>	<b>Q' TY</b>	<b>REMARK</b>
1	3621401000	COVER	ABS	1	
2	3626600200	BUTTON	POM	1	
3	3625100500	SPRING	HSW3	1	
4	3624400500	PIPE	ABS	1	
5	3623000500	HOLDER	ABS	1	
6	7121401411	SCREW TAPPING	T2S PAN 4X14	1	

10-2)

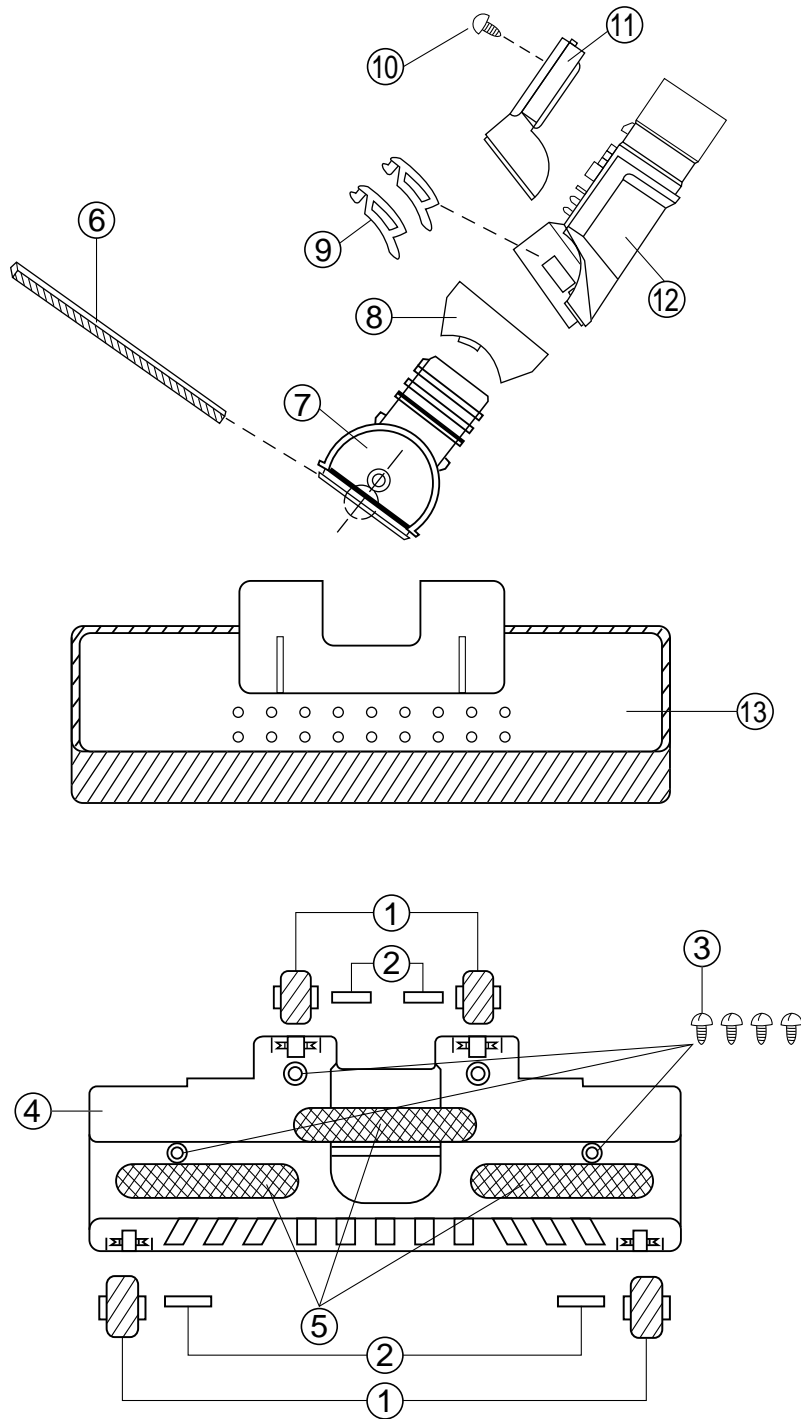


NO.	PART CODE	PART NAME	DESCRIPTION	Q' TY	REMARK
1	3624403500	PIPE STEEL	HDPE+SPC	2	
2	3623001900	HOLDER PIPE	ABS	1	
3	2625000400	SPACER	EVA POAM T=1.5	1	
4	7121401411	SCREW TAPPING	T <sub>2</sub> S PAN 4X14 MFZN	1	



NO.	PART CODE	PART NAME	DESCRIPTION	Q' TY	REMARK
1	3624403600	PIPE	P.P T=2.5	2	
2	3625000400	SPACER	EVA FOAM T=1.5	1	
3	3623001900	HOLDER PIPE	ABS	1	
4	7121401411	SCREW TAPPING	T <sub>2</sub> S PAN 4X14	1	

**11) BRUSH ASSEMBLY (3629300400)**  
**11-1)**

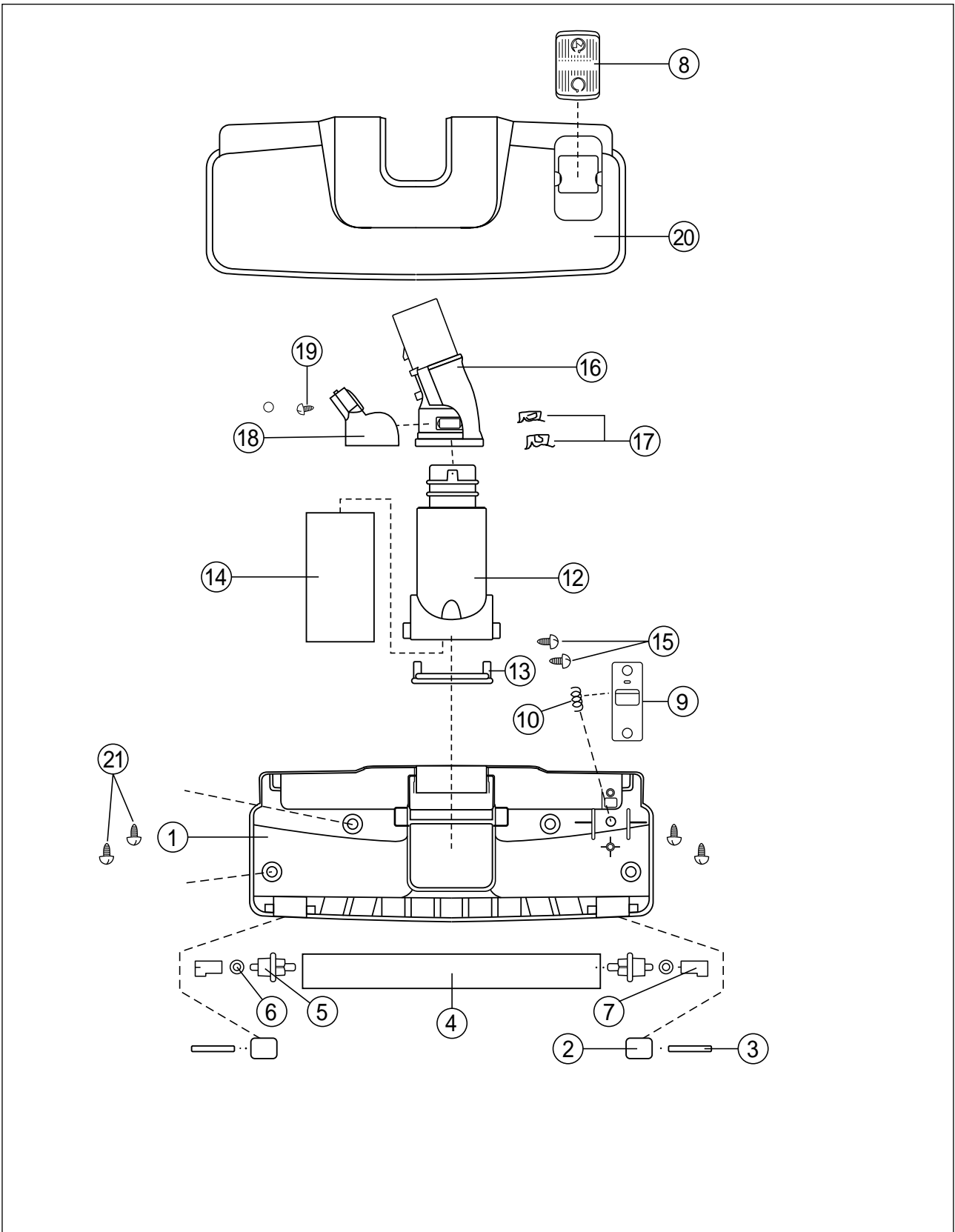


---

**BRUSH ASSEMBLY (3629300400)**

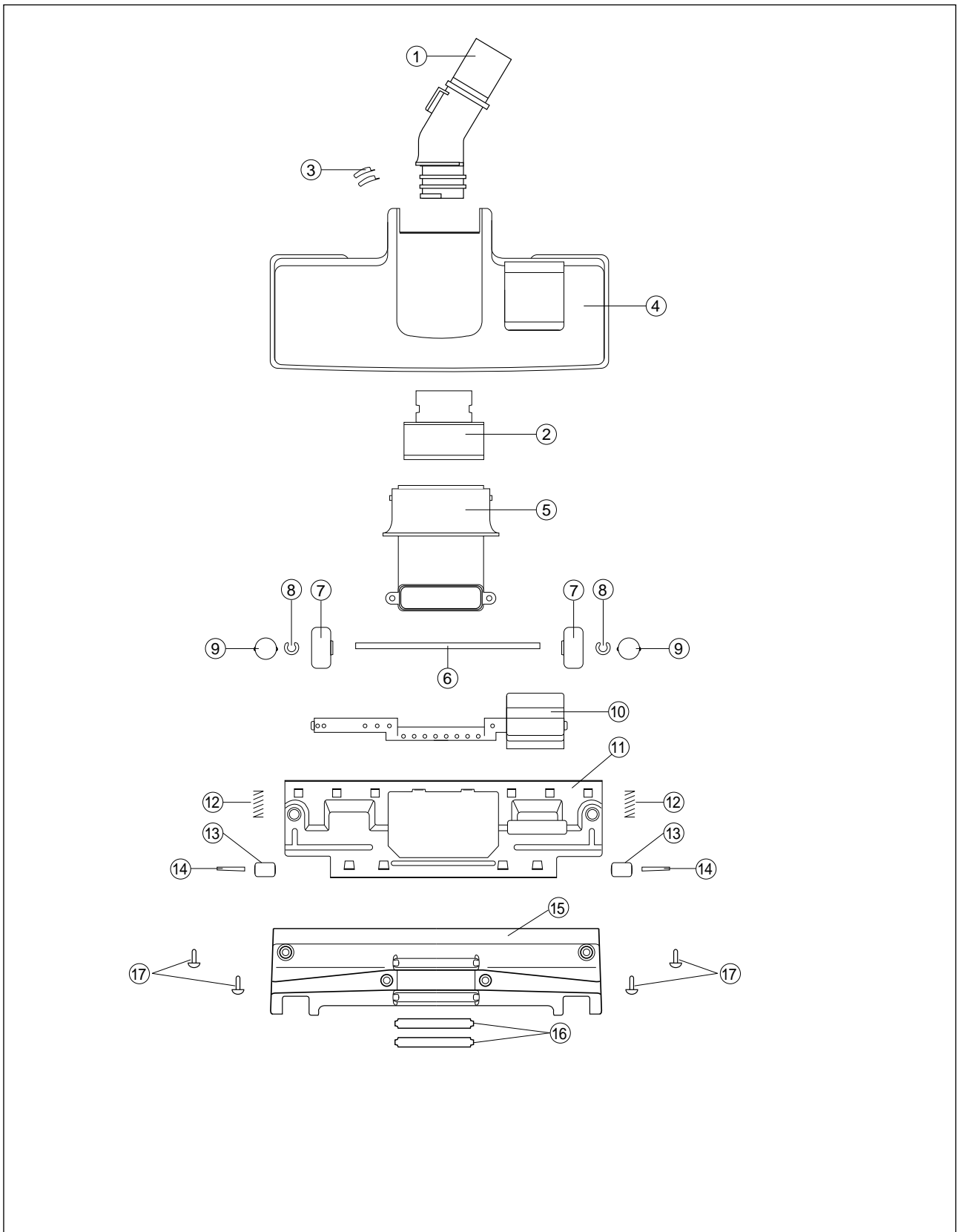
<b>NO.</b>	<b>PART CODE</b>	<b>PART NAME</b>	<b>DESCRIPTION</b>	<b>Q' TY</b>	<b>REMARK</b>
1	3624700400	ROLLER	PP+PVC	4	
2	3628200100	PIN	SWRM MFZN	4	
3	7121401411	SCREW TAPPING	T2S PAN 4X14	4	
4	3620400400	BODY	ABS	1	
5	3629300500	BRUSH ASSY	ABS+NYLON	3	
6	3624000500	PACKING	NBR FOAM	1	
7	3628000200	NECK	ABS	1	
8	3621401600	COVER NECK	ABS	1	
9	3623100100	HOOK	POLY AMIDES	2	
10	7121300811	SCREW TAPPING	T2S PAN 3X8	1	
11	3621400900	COVER	ABS	1	
12	3624400300	PIPE	ABS	1	
13	3621400800	COVER BODY	ABS+PVC	1	

**WIDE SUCTION BRUCH (3629301400)**  
11-2)



<b>NO.</b>	<b>PART CODE</b>	<b>PART NAME</b>	<b>DESCRIPTION</b>	<b>Q' TY</b>	<b>REMARK</b>
1	3620401100	BODY	ABS	1	
2	3624700600	ROLLER	PA+TEP	2	
3	3628200200	PIN	SWRM MFZN	2	
4	3629301300	BRUSH AS	ABS+NYLON	1	
5	3626800100	CUFF	ABS+SUS	2	
6	3626000100	SPECIAL WASHER	POLYESTER FILM	2	
7	3626300400	BEARING	PA	2	
8	3626600700	BUTTON	ABS	1	
9	3625200400	STOPPER	ABS	1	
10	3625103300	SPRING BRUSH	HSW3	1	
12	3628000410	NECK	ABS	1	
13	3621403300	COVEDR	ABS	1	
14	3620101900	ABSORBER	PVA FOAM	2	
15	7121401011	SCREW TAPPING	T2S PAN 4X10 MFZN	1	
16	3624401400	PIPE	ABS	2	
17	3623100100	HOOK	PA	1	
18	3621402600	COVER	ABS	1	
19	7121300811	SCREW TAPPING	T2S PAN 3X8 MFZN	1	
20	3621403410	COVER BRUSH	ABS+PVC	1	
21	7121401411	SCREW TAPPING	T2S PAN 4X14 MFAN	4	

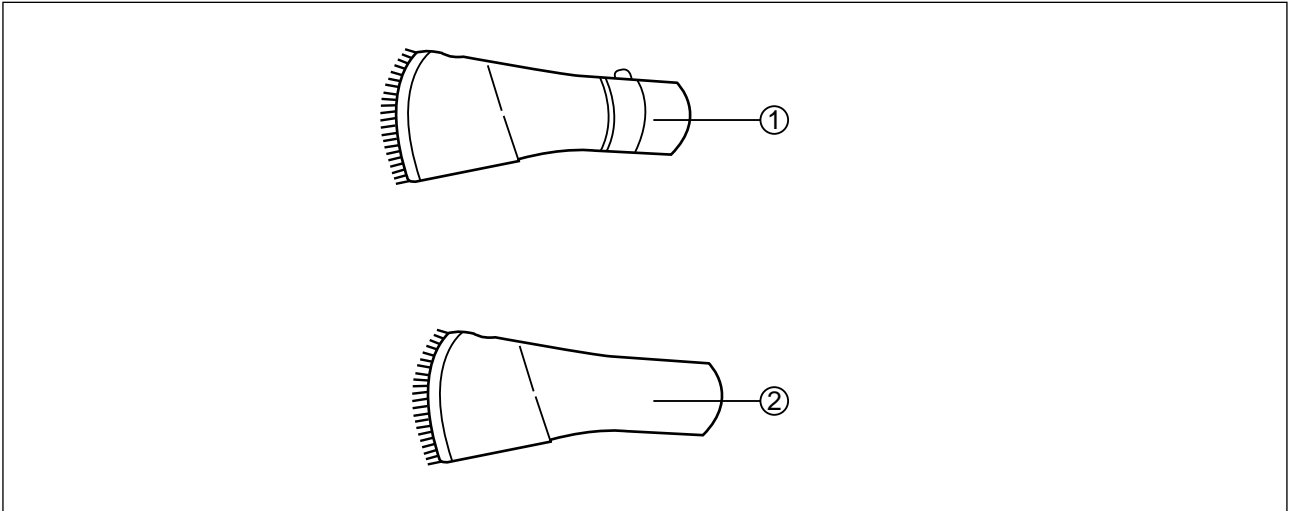
**SUCTION BRUSH ASSY (3629301600)**  
11-3)





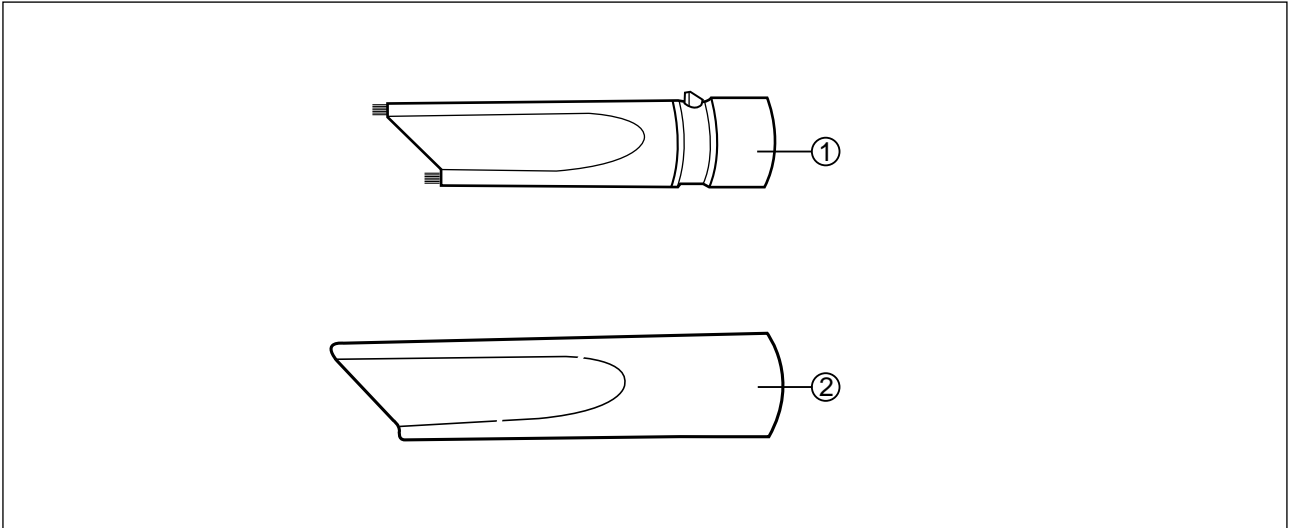
NO.	PART CODE	PART NAME	DESCRIPTION	Q' TY	REMARK
1	3624402400	PIPE BRUSH	PP	1	
2	3628000700	NECK	PP	1	
3	3623100100	HOOK	PA	2	
4	3621405400	COVER BRUSH	PP	1	
5	3621406200	COVER AIR	PP	1	
6	3624900400	SHAFT	SWRM + MFZN	1	
7	3624701000	ROLLER	PA+TPE	2	
8	7402004011	RING E	ER - 4 MFZN	2	
9	3620901500	CAP ROLLER	PA	2	
10	3623700800	LEVER BRUSH	ABS	1	
11	3624500800	PLATE BRUSH AS	ASSY	1	
12	3625102600	SPRING	HSW3	2	
13	3624700600	ROLLER	PA + TIPE	2	
14	3628200200	PIN	SWRM MFZN	2	
15	3624500600	PLATE BRUSH	SUS T = 0.5	1	
16	3627000100	PICKER LITTER	ABS + NYLON	2	
17	7121401411	SCREW TAPPING	T2S PAN 4X14 MFZN	4	

## 12) DUSTING BRUSH ASSEMBLY



NO.	PART CODE	PART NAME	DESCRIPTION	Q' TY	REMARK
1	3629300100	BRUSH AS	ABS+NYLON	1	
2	3629301500	BRUSH AS	ABS+NYLON	1	

## 13) CREVICE TOOL



NO.	PART CODE	PART NAME	DESCRIPTION	Q' TY	REMARK
1	3628100100	NOZZLE	PP	1	
2	3628100300	NOZZLE	PP	1	

S/M NO. : RC609EU012

**DAEWOO**  
DAEWOO ELECTRONICS CO., LTD.  
686 AHYEON-DONG, MAPO-GU,  
SEOUL, KOREA  
C.P.O. BOX 8003 SEOUL, KOREA  
TELEX : DWELEC K28177-8  
FAX : 02) 364-5588  
TEL : 02) 360-7114/8114  
PRINTED DATE : JULY. 1995