

DAEWOO

Service Manual

Vacuum Cleaner

Model: RC-406
(RC-190)



DAEWOO ELECTRONICS CO., LTD.

Contents

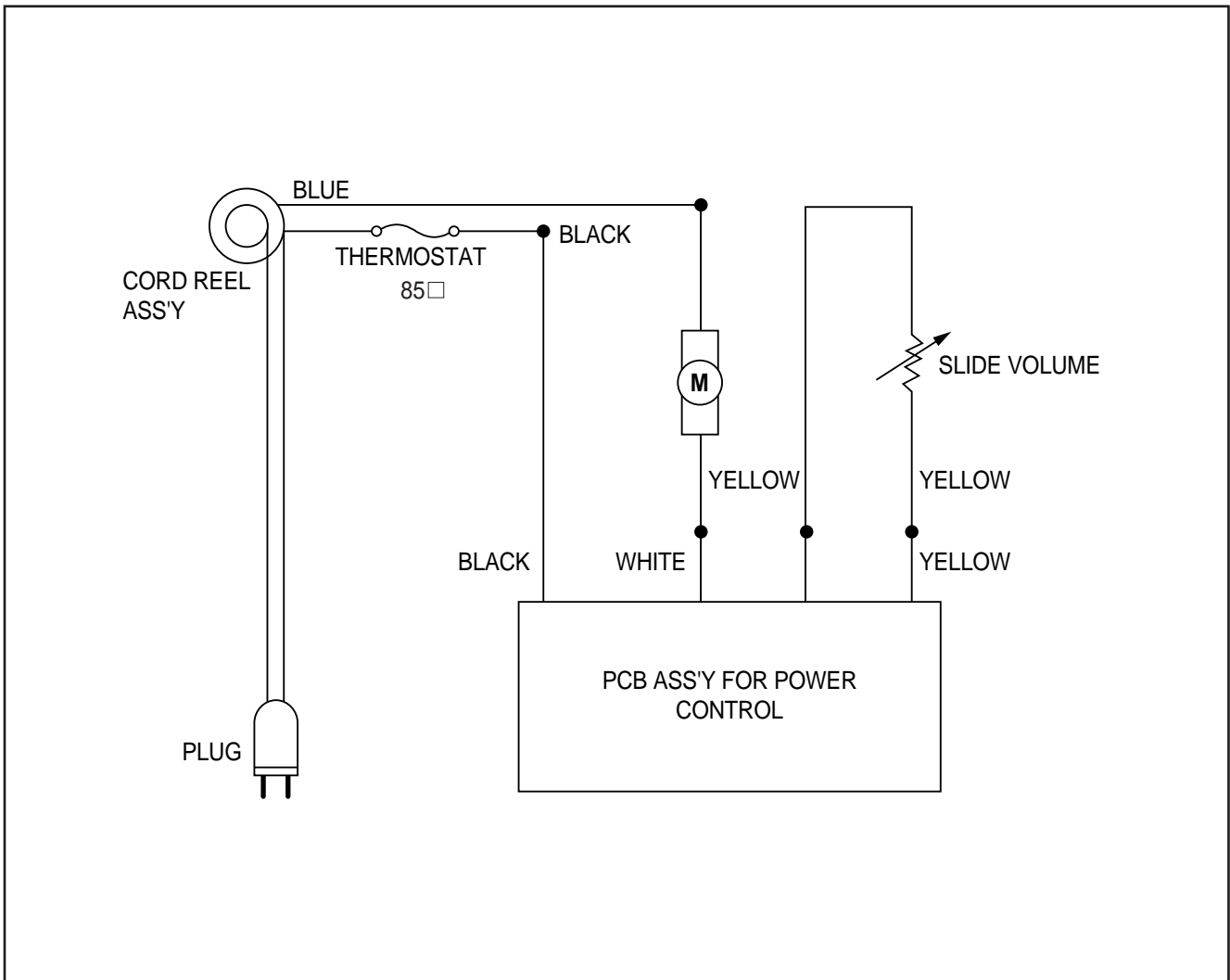
1. SPECIFICATIONS	1
2. CIRCUIT DIAGRAM	
SLIDE VOLUME TYPE.....	2
3. CAUSE OF TROUBLE AND COUNTERMEASURE	3
4. EXPLODED VIEWS AND PARTS LIST	
BODY(DOWN) ASS'Y	5
BODY(DOWN) PARTS LIST.....	6
BODY(UP) ASS'Y	7
BODY(UP) PARTS LIST	8
HOSE LINE ASS'Y (I).....	9
HOSE LINE PARTS LIST (I).....	10
HOSE LINE ASS'Y (II).....	11
HOSE LINE PARTS LIST (II).....	12
SUCTION BRUSH ASS'Y	13
SUCTION BRUSH PARTS LIST	14

1. SPECIFICATIONS

ITEM	RC-406 (RC-109)
POWER SOURCE	100V/50-60Hz, 120/60Hz, 220V/50-60Hz, 230V/50-60Hz, 240V/50-60Hz
POWER CONSUMPTION	1,000W, 1,200W
DIMENSION (WXLXH)	BODY : 270X482X234 (MM) WITH PARTS CASE : 270X482X430 (MM)
NOISE	BELOW 65dB
CORD LENGTH	5M
NET WEIGHT	8.8Kg

2. CIRCUIT DIAGRAM

SLID VOLUME TYPE



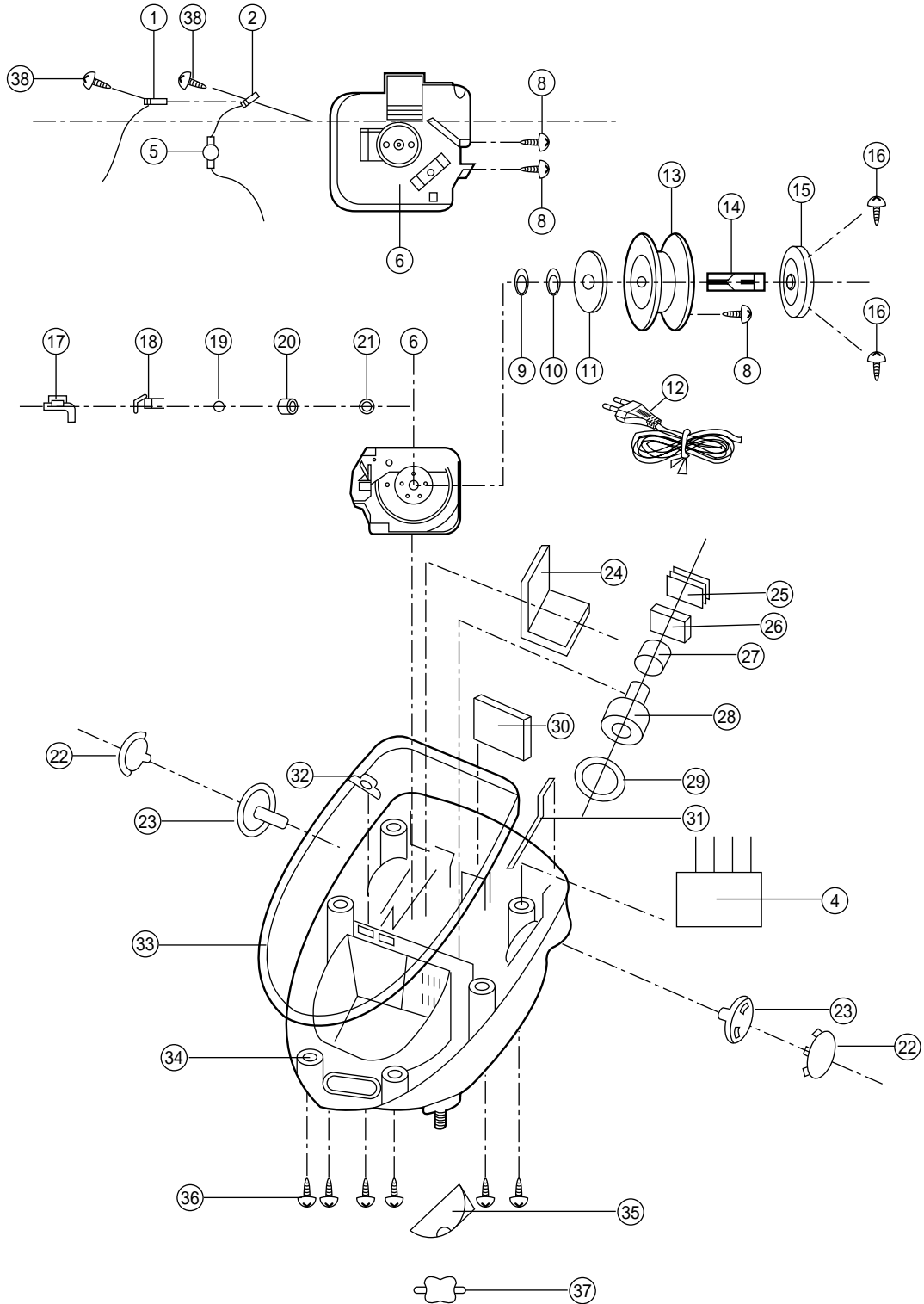
3. CAUSE OF TROUBLE AND COUNTERMEASURE

TROUBLE	CAUSE	COUNTERMEASURE
MOTOR DOSE NOT ROTATE	BREAK POWER CORD (AT BLADE TIP OR ROOT OF PLUG)	REPLACE THE POWER CORD
	DEFECTIVE PCB	REPLACE
	BREAK THE LEAD WIRE	REPAIR (SOLDER OR USE CLOSED END TERMINAL)
	DEFECTIVE SWITCH	REPLACE THE SWITCH
	ABRASION CARBON BRUSH	REPLACE OR REPAIR
	BLOW OF FUSE	REPLACE
	DEFECTIVE SWITCH	REPLACE
	BREAK IN OTHER CONNECTION	REPAIR
MOTOR DOSE NOT STOP EVEN IF THE SWITCH IS SET "OFF"	DEFECTIVE SWITCH OR PCB	REPLACE
CORD IS NOT WOUND UP AT ALL	THE CORD IS DRIVEN OR TWISTED	REPAIR
	INSUFFICIENT RESERVED WINDING	ADD PROPER RESERVED WINDING
CORD DOESN'T STOP AT ARBITRARY POSITION	ABRASION OF THE BRAKE ROLLER	REPLACE
	BROKEN THE SPRING OF CORD REEL	REPLACE OR REPAIR

TROUBLE	CAUSE	COUNTERMEASURE
SUCTION POWER IS LOW	DUST IS SUCKED EXCESSIVELY INTO THE PAPER BAG	REPLACE THE PAPER BAG
	CLOGGING OR BREAK OF THE HOSE OR EXTENSION PIPE	REMOVE THE OBSTACLE OR REPLACE HOSE/E.P.
	THE FILTER BOX IS FILLED WITH DUST	REMOVE DUST OF THE FILTER BOX
	DEFECTIVE MOTOR	REPLACE
TURBO BRUSH DOSE NOT ROTATE	ELONGATION OR BREAK OF GEAR BELT	REPLACE
	THERE IS MUCK ON THE ROTATING BRUSH	REMOVE MUCK
	SUCTION POWER IS LOW	REFERENCE ABOVE
	CLOGGING OF THE OPENING	REMOVE THE OBSTACLE

4. EXPLODED VIEW AND PARTS LIST

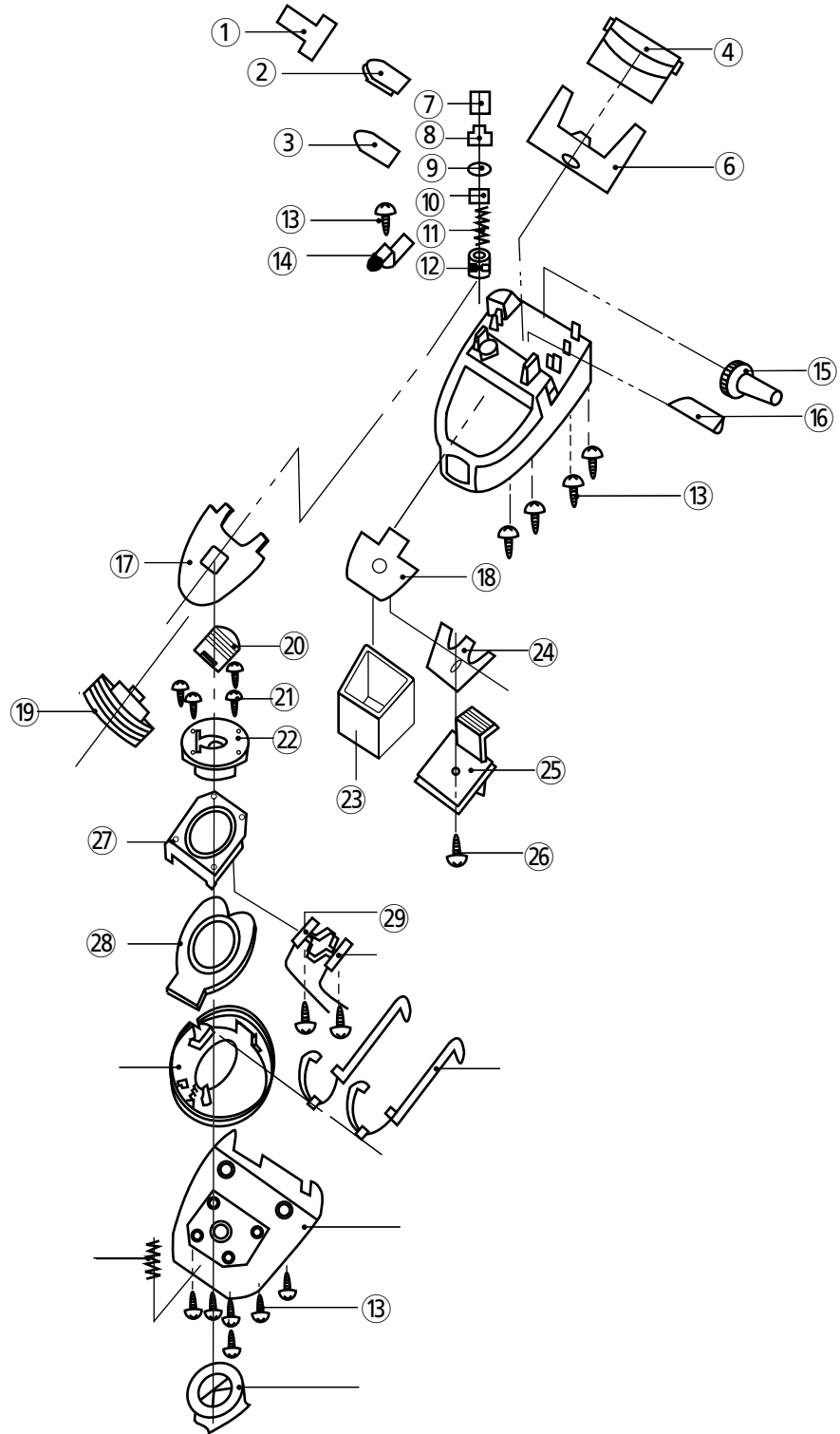
BODY (DOWN) ASSY



BODY (DOWN) PARTS LIST

NO.	PARTS NAME	CODE NO.	REFERENCE	Q'TY
1	TERMINAL Y-B AS.	4568A43000		1
2	TERMINAL Y-A AS.	4568A42000		1
4	P. C. B AS	4569G27000	POWER CONTROL	1
5	TMERMOS TAT	4569B47002	PW-2 T85	1
6	BRACKET CR	4569C35020		1
8	SCREW TAPPING	7121401211		3
9	TERMINAL OB	4565A36034		1
10	TERMINAL OA	4565A36024		1
11	SUPPORTER TERMINAL	4565A36010		1
12	PLUG CORD	4569C38000		1
13	BOBBIN	4569C35010		1
14	FEEL SHAFT	4569C35050		1
15	SPRING REEL AS.	4568A41000		1
16	SCREW TAPPING	7121300811		2
17	BUTTON CR	4569C35030		1
18	LEVER CORD REEL	4568A35060		1
19	SPRING CR LEVER	4568A35090		1
20	STOPPER CORD REEL	4565A35070		1
21	TIRE C.R. STOPPER	4568A35080		1
22	COVER BACK CASTER	4569C20070		2
23	CASTER FRAME BACK	4569C20020		2
24	BODY FELT	4569C20050		1
25	MB SUPPORTER	4569C20090		3
26	CAP MOTOR BACK	4569C10040		1
27	MOTOR SPONGE	4569C10070		1
28	V/C MOTOR	3962330530	220V / 50Hz 1000W	1
		3962510240	230V / 50Hz 1000W	
		3962610300	240V / 50Hz 1000W	
		3962330310	220V / 50Hz 1100W	
		3962510210	230V / 50Hz 1100W	
29	CAP MOTOR FRONT	4569A20040		1
30	BODY EXHAUST FILTER	4569C20060		1
31	RIB CUSHION-A	4569C10020		1
32	DA PACKING-R	4569C20080		1
33	PROTECTOR	4569C20030		1
34	BODY	4569C20010		1
35	BRACKET FRONT CASTER	4569C20040		1
36	SCREW TAPPING	7121401211		6
37	CASTER FRONT	4568A54020		1
38	SCREW TAPPING	7121400811		2

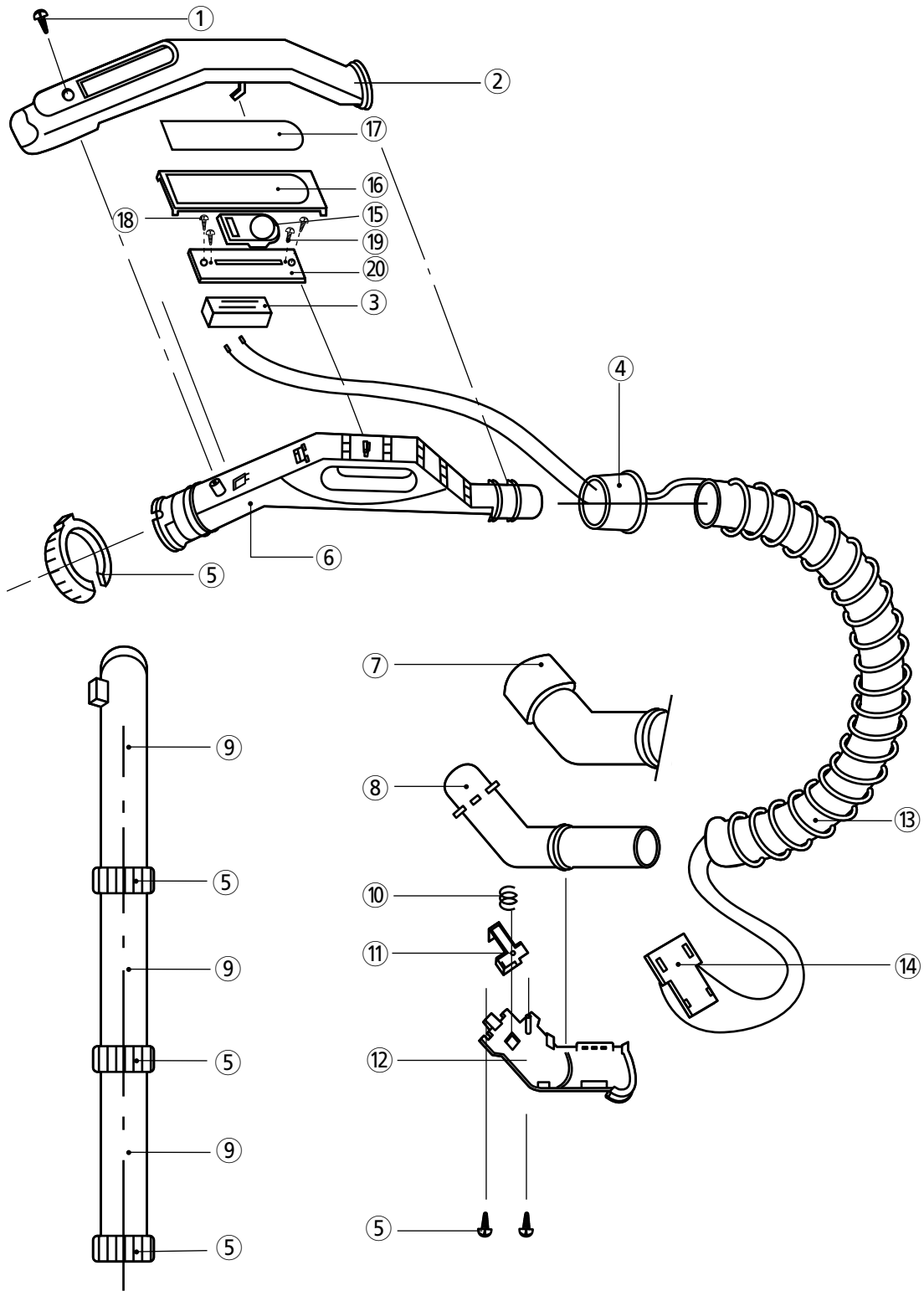
BODY (UP) ASSY



BODY (UP) PARTS LIST

NO.	PARTS NAME	CODE NO.	REFERENCE	Q'TY
1	PIPE DA	4569C49060		1
2	PRAGMENT-R	4569C49080		1
3	PRAGMENT-P	4569C49090		1
4	COVER NOZZLE	4569C52020		1
6	COVER MIDDLE	4569C24020		1
7	HOUSING DA	4569C49010		1
8	PACKING DA	4569C49020		1
9	WASHER DA	4569C49070		1
10	SUPPORTER DA	4569C49050		1
11	SPRING DA	4569C49040		1
12	PLUNGER DA	4569C49030		1
13	SCREW TAPPING	7121401211		1
14	PLATE CONTROL	4569C24050		1
15	BRUSH DUSTING	3629300110		1
		4569A67100		
		3629301500		
16	PIPE NOEELE	3628100300		1
		4568A24020		
17	DUST COVER	4569C52010		1
18	BAG HOLDER	4569C22010		1
19	COVER DUST CLAMP	4569C52150		1
20	COVER HOSE HOLE	4569C52130		1
21	SCREW TAPPING	7121301411		4
22	HOSE ADAPTER	4569C52060		1
23	BOX FILTER AS.	4569C21000		1
24	BAG CLAMP	4569C22030		1
25	HANDLE B.H	4569C22020		1
26	SCREW TAPPING	7121300811		3
27	ADAPTER SUPPORTER	4569C52070		1
28	FRAME PACKING	4569C52120		1
29	V TERMINAL-A	4569C52080		1
30	V TERMINAL-B	4569C52160		1
31	TERMINAL FRAME	4569C52090		1
32	DC TERMINAL AS.	4569C52170		2
33	PLT SEALING	4569C52030		1
34	SPRING DC CLAMP	4569C52030		1
35	SP PACKING	4569C52140		1

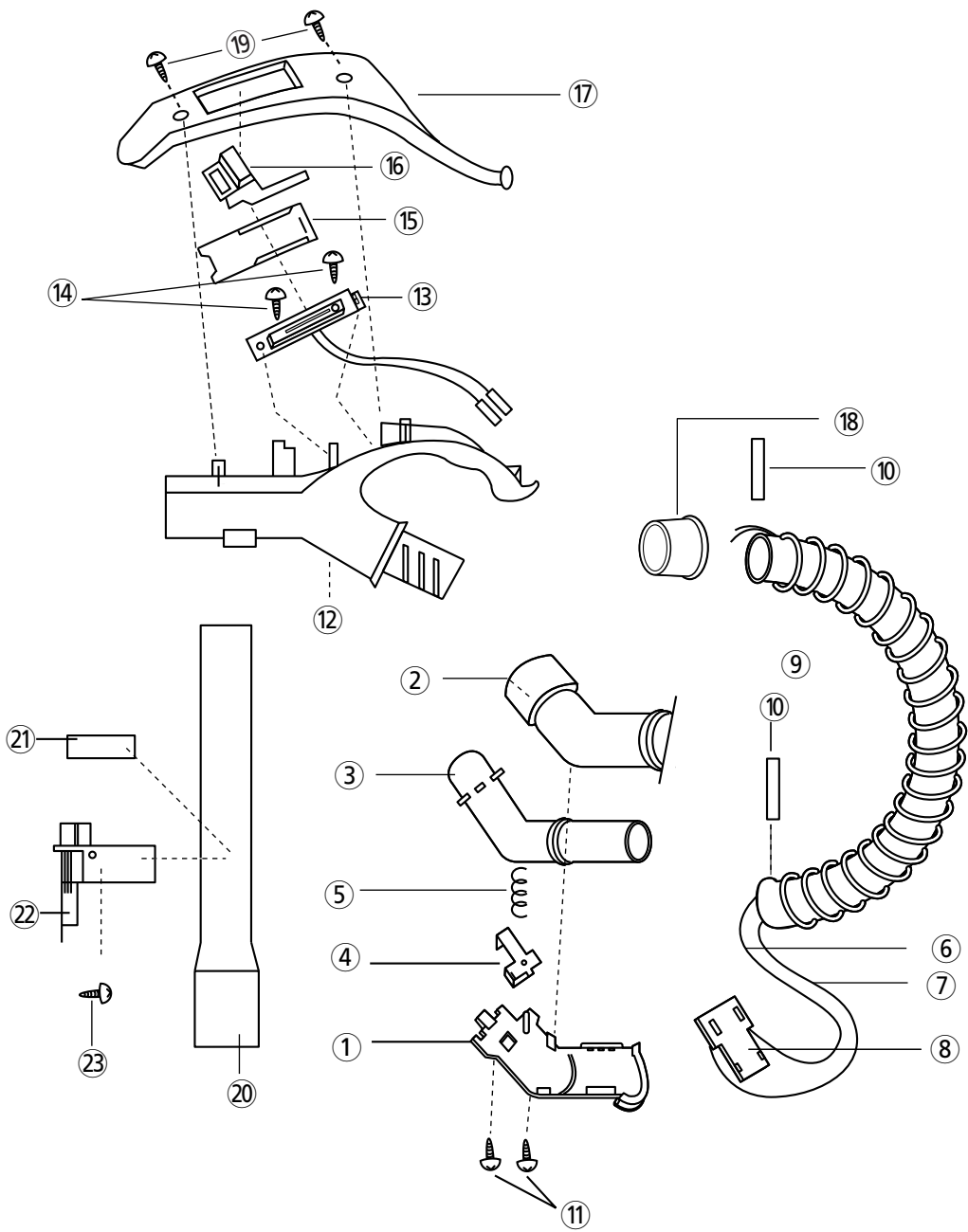
HOSE LINE ASSY (I)



HOSE LINE PARTS LIST (I)

NO.	PARTS NAME	CODE NO.	REFERENCE	Q'TY
1	SCREW TAPPING	7121300811		1
2	COVER HANDLE	4569C70120		1
3	VOLUME SLIDE	5V2254000B		1
4	COVER HOSE	4565A70040		1
5	HOLDER BRUSH	4569A65060		3
6	PIPE HANDLE	4569C70130		1
7	CAP ELBOW-LEFT	4569C70010		1
8	ELBOW	4569C70030		1
9	PIPE EXTENTION	4569C65010		3
10	SPRING HOSE CLAMP	4569C70050		1
11	CLAMP HOSE	4569C70040		1
12	CAP ELBOW-RIGHT	4569C70020		1
13	HOSE	4565A71001		1
14	HOLDER L TERMINAL	4569C70080		1
15	KNOB CONTROL	4569G70150		1
16	PLATE CONTROL	4569G70090		1
17	PLATE P.C.	4569G70170		1
18	SCREW TAPPING	7121300811		2
19	SCREW MACHINE	7001200511		2
20	PLATE SLINE VOLUME	4569G25050		1

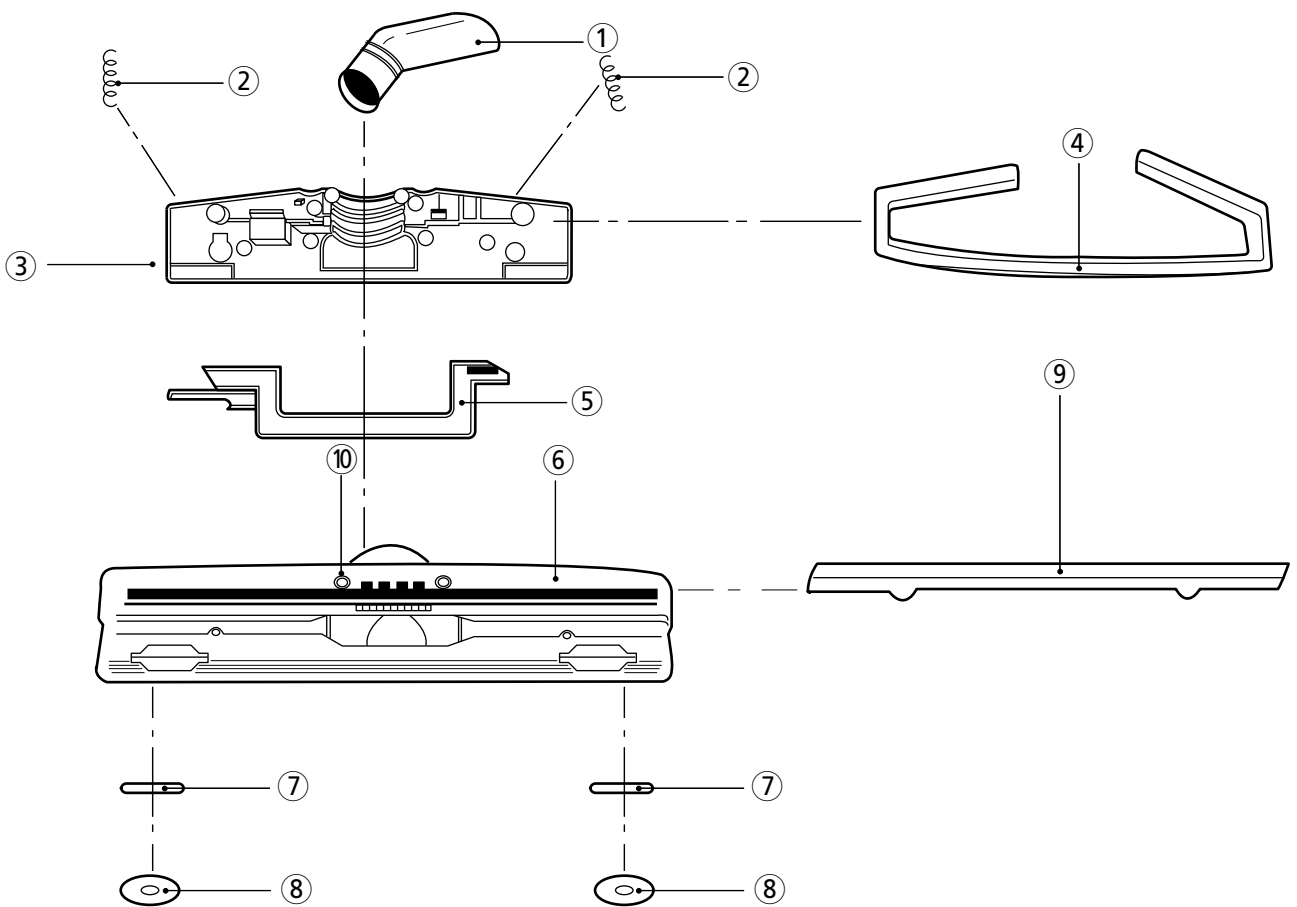
HOSE LINE ASSY (II)



HOSE LINE PARTS LIST (II)

NO.	PARTS NAME	CODE NO.	REFERENCE	Q'TY
1	COVER HOSE	3621401100	ABS	1
2	COVER HOSE	3621401200	ABS	1
3	ELBOW	3627100100	ABS	1
4	BUTTON	3626600400	ABS	1
5	SPRING	4569C70051	HSW3	1
6	L TERMINAL-L AS	4569C70060	TERMINAL+WIRE	1
7	L TERMINAL-R AS	4569C70070	TERMINAL+WIRE	1
8	HOLDER TERMINAL	4569C70080	ABS	1
9	HOSE	4565A71001	PVC+SWRS 1.3M	1
10	TAPE VINYL	2TU00019BK	19mm BLACK	1
11	SCREW TAPPING	7121301211	T2S PAN 3X12	2
12	PIPE	3624406200	ABS	1
13	PCB SLIDE VOLUME AS	3624304800	500K	1
14	SCREW TAPPING	7121300811	T2S PAN 3X8	2
15	PLATE	3624500200	ABS	1
16	KNOB	3623400100	PC, S-3000	1
17	COVER	3621413200	ABS	1
18	COVER HOSE	4565A70040	PP	1
19	SCREW TAPPING	7121301211	T2S PAN 3X12	2
20	PIPE	3624403600	PP T=2.5	2
21	SPACER	3625000400	EVA POAM T=1.5	1
22	HOLDER PIPE	3623001900	ABS	1
23	SCREW TAPPING	7121401411	T2S PAN 4X14 MFZN	1

SUCTION BRUSH ASSY



SUCTION BRUSH PARTS LIST

NO.	PARTS NAME	CODE NO.	REFERENCE	Q'TY
1	CONNECTOR	4569C90060	ABS	1
		3624405500	BLOWER	
2	SPRING BRUSH	4568B90050		2
3	COVER BRUSH	4569C90070		1
4	GASKET BRUSH	4568B90080		1
5	LEVER CHANGE	4568B90040		1
6	SB BODY	4569C90010		1
7	PIN ROLLER	4568B90030		2
8	ROLLER BRUSH	4568B90020		2
9	HOLDER BRUSH AS.	4569C90090		1
10	SCREW TAPPING	7121401411		4

DAEWOO

DAEWOO ELECTRONICS CO., LTD.

686, AHYEON-DONG, MAPO-GU, SEOUL, KOREA

C.P.O. BOX 8003 SEOUL, KOREA

TELEX: DWELEC K28177-8

CABLE: "DAEWOOELEC"

FAX: 02) 360-8184

TEL: 02) 360-8182~3/8178~9

<http://www.dwe.daewoo.co.kr>

Printed Date : JUNE, 1997

S/M NO. : RC406EV020