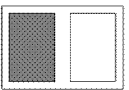
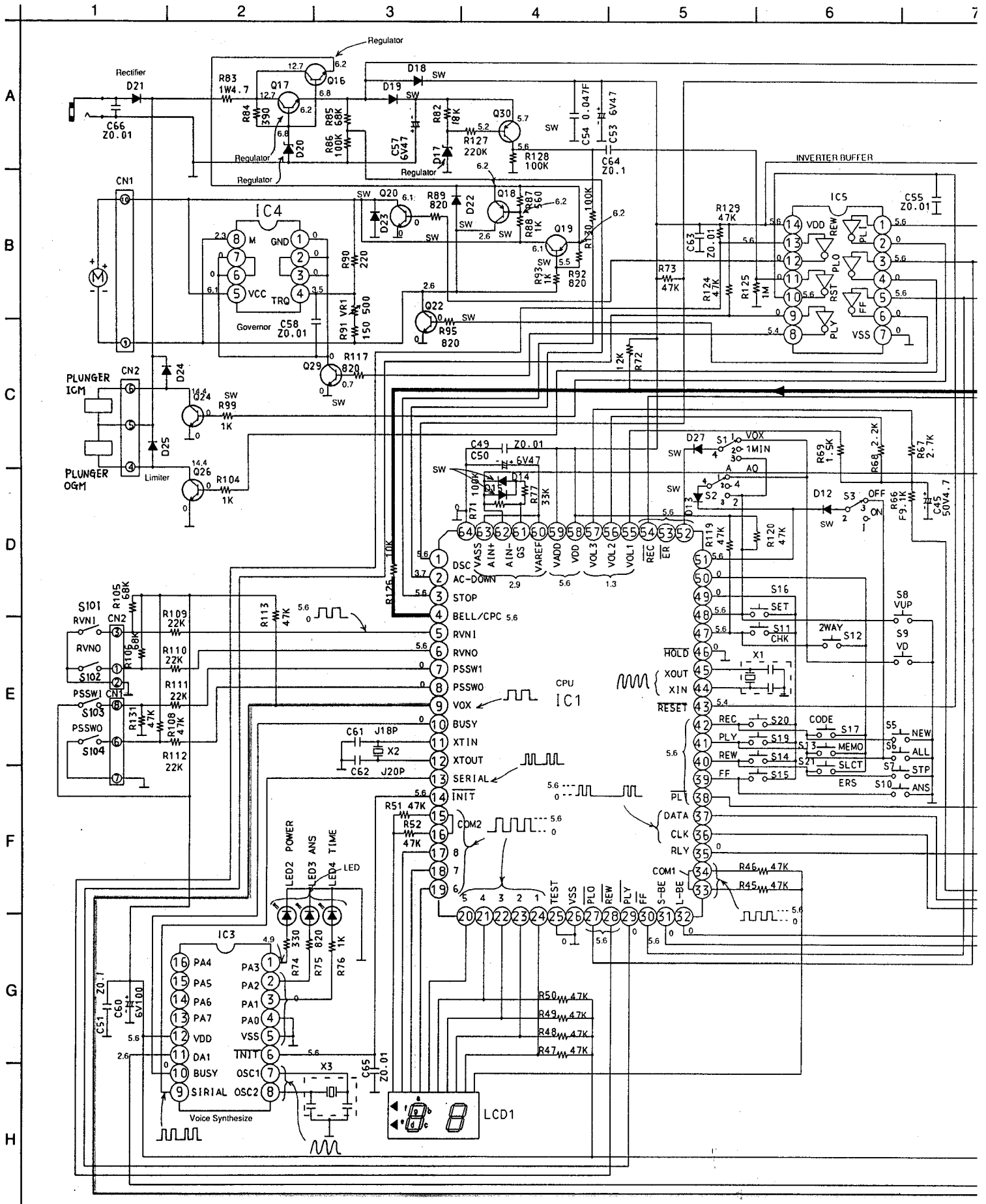


SCHEMATIC DIAG



TIC DIAGRAM

7

8

9

10

11

12

