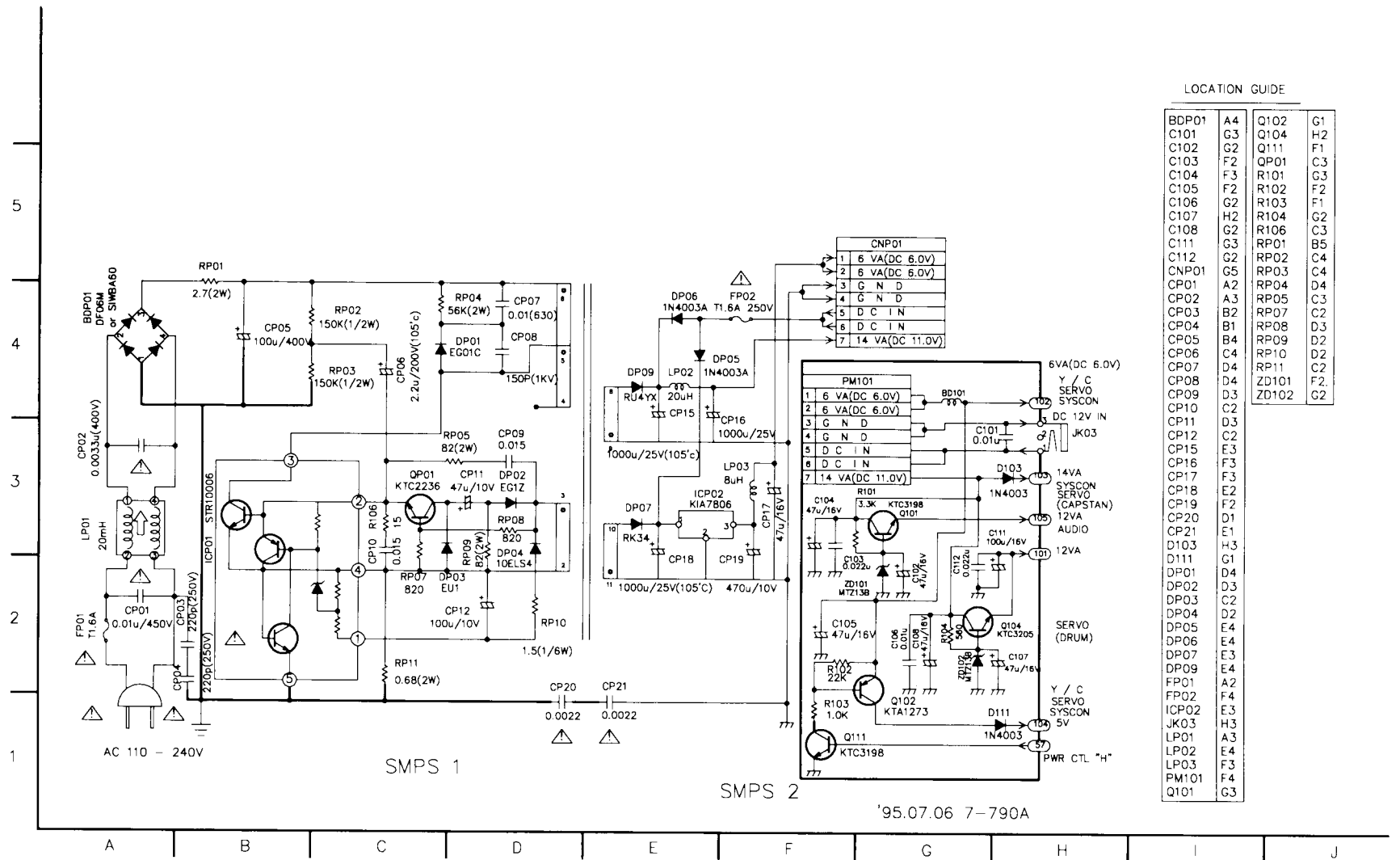


CIRCUIT DIAGRAMS

1. Power (SMPS) Circuit Diagram



★ IC Voltage

PB(REC)		PB(REC)		PB(REC)		PB(REC)		PB(REC)		PB(REC)		PB(REC)		PB(REC)	
Port	TR NO.	Port	TR NO.	Port	TR NO.	Port	TR NO.	Port	TR NO.	Port	TR NO.	Port	TR NO.	Port	TR NO.
Q301	1.5	Q302	0.9	Q303	2.9	Q304	3.0	Q305	3.0	Q306	4.4	Q307	5	Q308	5
Q309	4.4	Q310	5	Q311	5	Q312	5	Q313	5	Q314	5	Q315	5	Q316	5
Q317	5	Q318	5	Q319	5	Q320	5	Q321	5	Q322	5	Q323	5	Q324	5
Q325	5	Q326	5	Q327	5	Q328	5	Q329	5	Q330	5	Q331	5	Q332	5

PB(REC)		PB(REC)		PB(REC)		PB(REC)		PB(REC)	
Port	TR NO.	Port	TR NO.	Port	TR NO.	Port	TR NO.	Port	TR NO.
Q502	0	Q503	0	Q504	0	Q505	0	Q506	0
Q507	0	Q508	0	Q509	0	Q510	0	Q511	0
Q512	0	Q513	0	Q514	0	Q515	0	Q516	0
Q517	0	Q518	0	Q519	0	Q520	0	Q521	0

PB(REC)		PB(REC)		PB(REC)		PB(REC)		PB(REC)	
Port	TR NO.	Port	TR NO.	Port	TR NO.	Port	TR NO.	Port	TR NO.
Q601	2	Q602	0	Q603	0	Q604	0	Q605	0
Q606	0	Q607	0	Q608	0	Q609	0	Q610	0
Q611	0	Q612	0	Q613	0	Q614	0	Q615	0
Q616	0	Q617	0	Q618	0	Q619	0	Q620	0

PB(REC)		PB(REC)		PB(REC)		PB(REC)		PB(REC)	
Port	TR NO.	Port	TR NO.	Port	TR NO.	Port	TR NO.	Port	TR NO.
Q701	2	Q702	0	Q703	0	Q704	0	Q705	0
Q706	0	Q707	0	Q708	0	Q709	0	Q710	0
Q711	0	Q712	0	Q713	0	Q714	0	Q715	0
Q716	0	Q717	0	Q718	0	Q719	0	Q720	0

★ TR Voltage

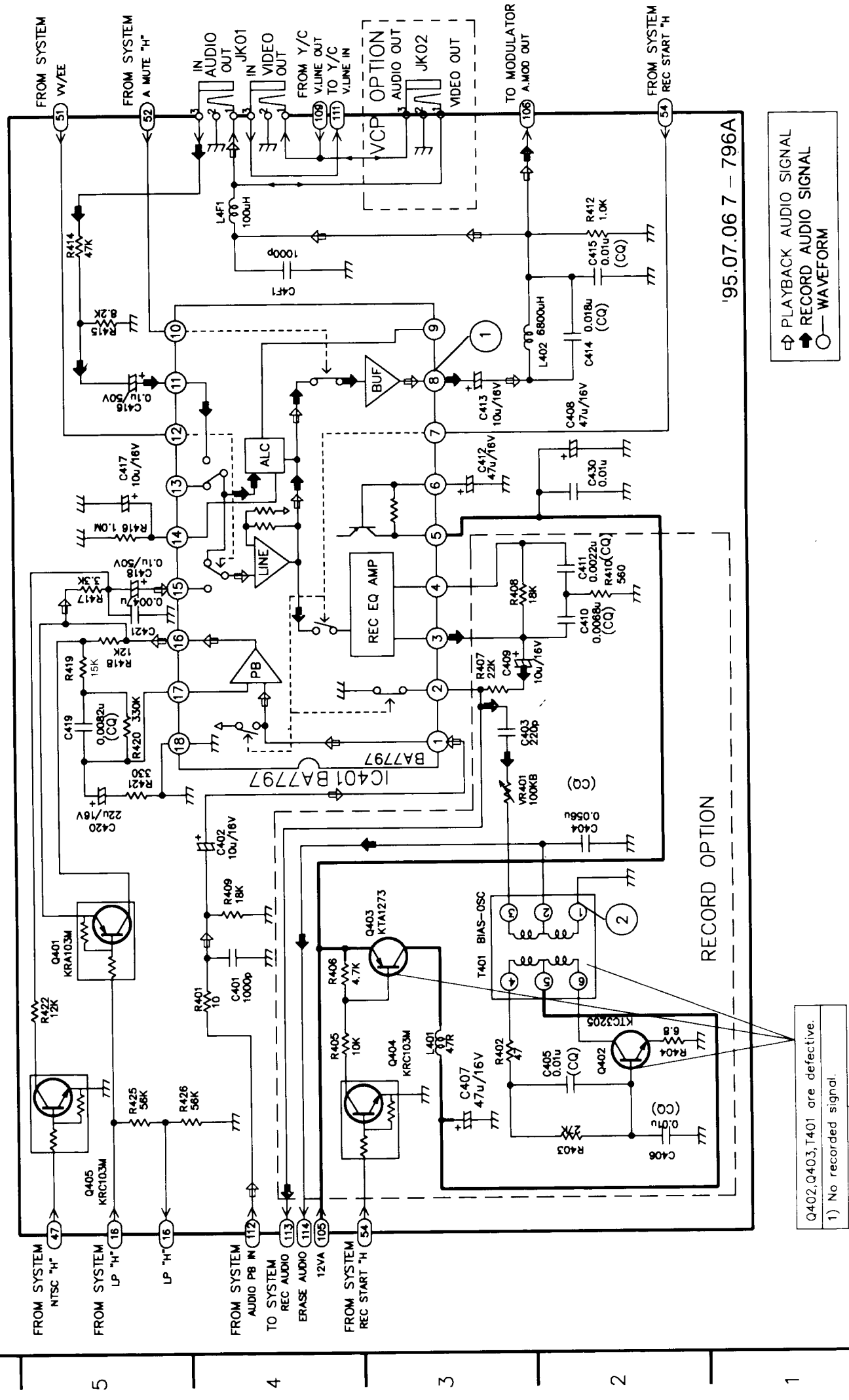
PB		PB		PB		PB		PB	
Port	TR NO.	Port	TR NO.	Port	TR NO.	Port	TR NO.	Port	TR NO.
Q801	0.1	Q802	0.1	Q803	0.1	Q804	0.1	Q805	0.1
Q806	0.1	Q807	0.1	Q808	0.1	Q809	0.1	Q810	0.1
Q811	0.1	Q812	0.1	Q813	0.1	Q814	0.1	Q815	0.1
Q816	0.1	Q817	0.1	Q818	0.1	Q819	0.1	Q820	0.1

PB		PB		PB		PB		PB	
Port	TR NO.	Port	TR NO.	Port	TR NO.	Port	TR NO.	Port	TR NO.
Q901	0.1	Q902	0.1	Q903	0.1	Q904	0.1	Q905	0.1
Q906	0.1	Q907	0.1	Q908	0.1	Q909	0.1	Q910	0.1
Q911	0.1	Q912	0.1	Q913	0.1	Q914	0.1	Q915	0.1
Q916	0.1	Q917	0.1	Q918	0.1	Q919	0.1	Q920	0.1

2. Audio Circuit Diagram

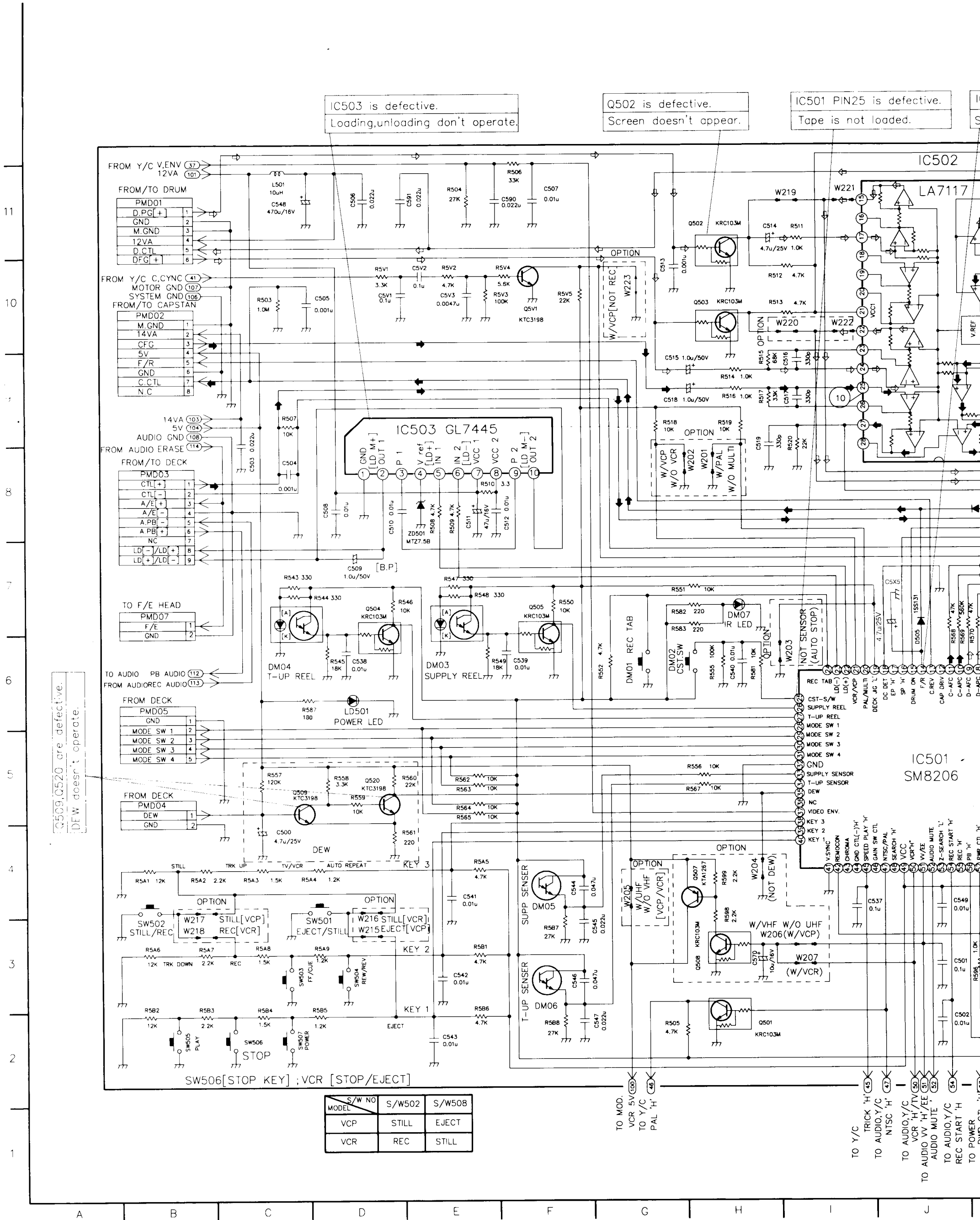
LOCATION GUIDE

R409	C4
R410	E2
R412	G2
R414	G5
R415	F5
R416	E5
R417	E5
R418	E5
R419	D5
R420	D5
R421	D5
R422	B5
R425	B5
R426	B5
T401	C3
VR401	D3
C401	C4
C402	C4
C403	D3
C404	D2
C405	B2
C406	B2
C407	B3
C408	F2
C409	D3
C410	E2
C411	E2
C412	F3
C413	F3
C414	F2
C415	G2
C416	F5
C417	F5
C418	E5
C419	D5
C420	D5
C421	E5
C430	F2
C431	G4
IC401	D4
JK01	H4
JK02	H3
L401	B3
L402	F2
L4F1	G4
Q401	C5
Q402	B2
Q403	C3
Q404	B3
Q405	A5
R401	B4
R402	B3
R403	B2
R404	B4
R405	B4
R406	C4
R407	D3
R408	E3



A B C D E F G H I J K

3. Servo/Syscon Circuit Diagram



IC503 is defective.
Loading,unloading don't operate.

Q502 is defective.
Screen doesn't appear.

IC501 PIN25 is defective.
Tape is not loaded.

IC502 Still

IC509,IC520 are defective.
DEW doesn't operate.

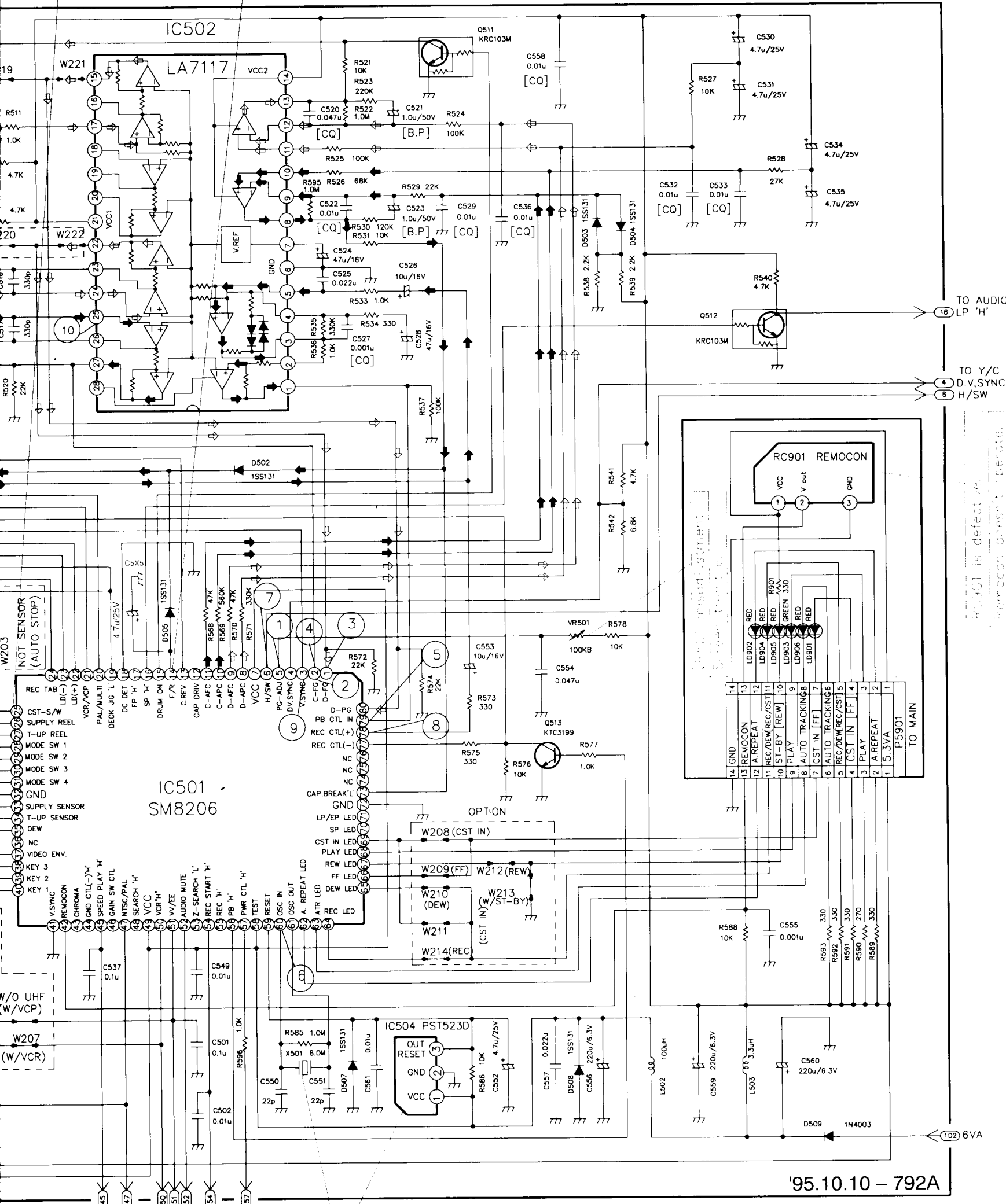
S/W NO MODEL	S/W502	S/W508
VCP	STILL	EJECT
VCR	REC	STILL

IC501 PIN25 is defective.
Tape is not loaded.

IC501 PIN14 is defective.
Still function is in defect.

LOCATION GUIDE

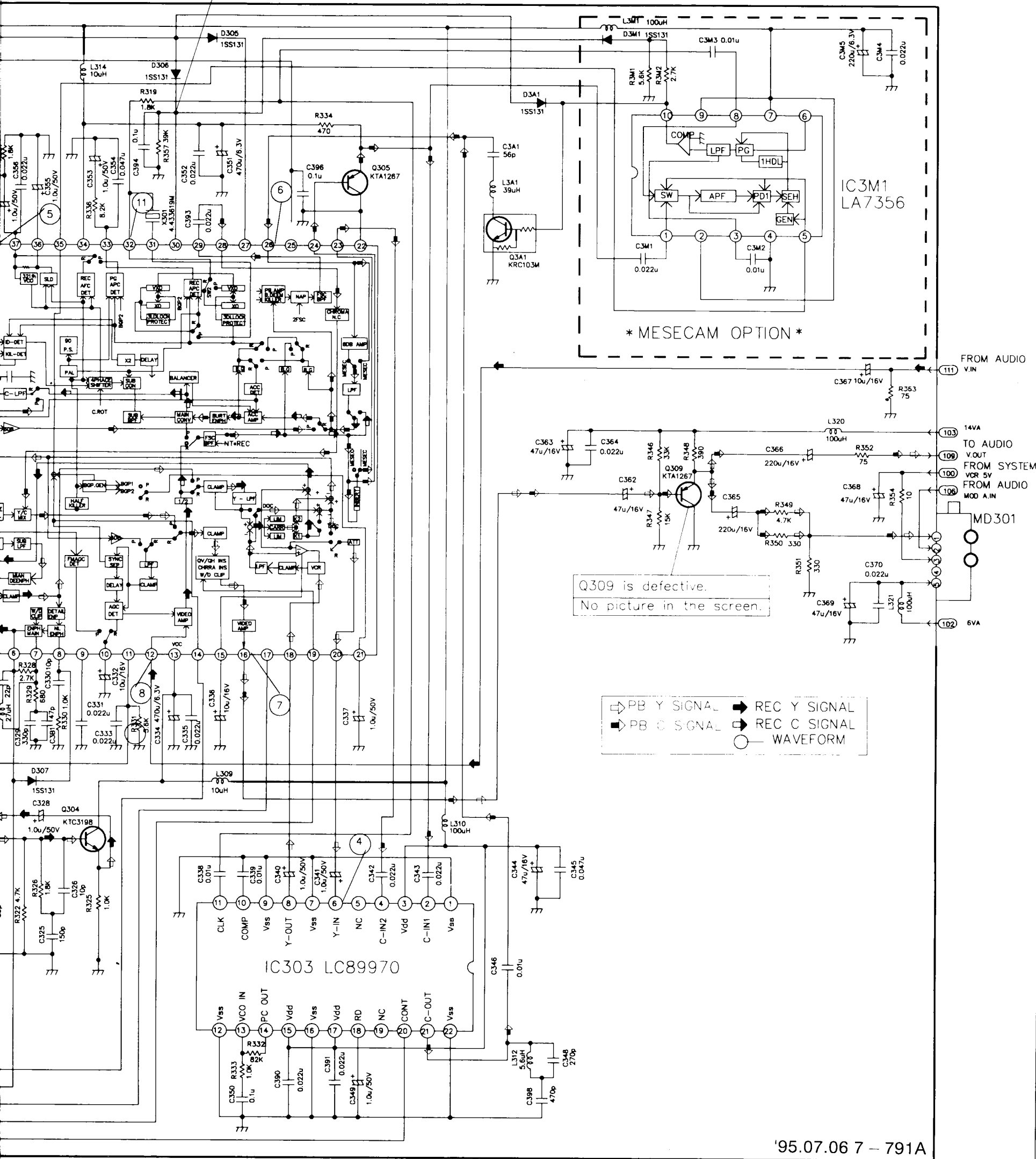
C500	C4	Q504	D7	R5A7	B3
C501	J3	Q505	F7	R5A8	C3
C502	J2	Q507	H4	R5A9	D3
C503	C8	Q508	H3	R5B1	E3
C504	C8	Q509	C5	R5B2	B3
C505	D10	Q511	M11	R5B3	B3
C506	D11	Q512	N9	R5B4	C3
C507	F11	Q513	M6	R5B5	D3
C508	D8	Q520	D5	R5B6	E3
C509	D7	Q5V1	F10	R5B7	F3
C510	D8	R503	C10	R5B8	F2
C511	E8	R504	E11	R5V1	D10
C512	F8	R505	G2	R5V2	E10
C513	G10	R506	F11	R5V3	E10
C514	H11	R507	C9	R5V4	F10
C515	G9	R508	E8	R5V5	F10
C516	I9	R509	E8	R901	O7
C517	I9	R510	E8	RC901	O8
C518	G9	R511	I11	SW501	C3
C519	H8	R512	H10	SW502	B3
C520	K11	R513	H10	SW503	C2
C521	L11	R514	H9	SW504	D3
C522	K10	R515	H9	SW505	B2
C523	L10	R516	H9	SW506	C2
C524	K10	R517	H9	SW507	C2
C525	K9	R518	G9	VR501	M6
C526	L9	R519	H9	W201	H8
C527	L9	R520	I8	W202	H8
C528	L9	R521	L11	W203	I6
C529	L10	R522	L11	W204	H4
C530	O11	R523	L11	W205	G4
C531	O11	R524	L11	W206	H3
C532	N10	R525	K10	W207	I3
C533	O10	R526	K10	W208	L5
C534	P10	R527	N11	W209	L4
C535	P10	R528	O10	W210	L4
C536	M10	R529	L10	W211	L4
C537	I4	R530	L10	W212	M4
C538	D6	R531	L10	W213	M4
C539	F6	R533	L9	W214	L4
C540	H6	R534	L9	W215	D3
C541	E4	R535	K9	W216	D3
C542	E3	R536	K9	W217	B3
C543	E2	R537	L8	W218	B3
C544	F4	R538	N9	W219	H11
C545	G3	R539	N9	W220	H10
C546	F3	R540	O9	W221	I11
C547	G2	R541	N8	W222	I10
C548	C11	R542	N7	W223	G10
C549	J4	R543	C7	X501	K3
C550	K3	R544	D7	ZD501	E8
C551	K3	R545	D6		
C552	M3	R546	D7		
C553	M6	R547	E7		
C554	M6	R548	E7		
C555	O4	R549	E6		
C556	N3	R550	F7		
C557	M3	R551	G7		
C558	M11	R552	G6		
C559	O3	R555	H6		
C560	O3	R556	H5		
C561	L3	R557	C5		
C570	H3	R558	D5		
C590	F11	R559	D5		
C591	E11	R560	D5		
C5X5	J6	R561	D4		
C5V1	D10	R562	E5		
C5V2	E10	R563	E5		
C5V3	E10	R564	E5		
D502	K8	R565	E5		
D503	N10	R567	H5		
D504	N10	R568	J6		
D505	J6	R569	J6		
D507	K3	R570	K6		
D508	M3	R571	K6		
D509	O2	R572	K6		
DM01	G6	R573	M6		
DM02	G6	R574	L6		
DM03	E6	R575	L5		
DM04	C6	R576	M5		
DM05	F4	R577	M5		
DM06	F3	R578	N6		
DM07	H7	R581	H6		
IC501	J5	R582	G7		
IC502	J11	R583	G7		
IC503	E9	R585	K3		
IC504	L3	R586	M3		
L501	C11	R587	C6		
L502	N3	R588	O4		
L503	O3	R589	P4		
LD501	D6	R590	P4		
LD901	O6	R591	P4		
LD902	O6	R592	P4		
LD903	O6	R593	O4		
LD904	O6	R595	K10		
LD905	O6	R596	K3		
LD906	O6	R598	H3		
P5901	P5	R599	H4		
PMD01	B11	R5A1	B4		
PMD02	B10	R5A2	B4		
PMD03	B8	R5A3	C4		
PMD04	B5	R5A4	C4		
PMD05	B6	R5A5	E4		
PMD07	B7	R5A6	B3		
Q501	H2				
Q502	H11				
Q503	H10				



IC501, C504 are defective
System doesn't operate.

→ DRUM CONTROL SIGNAL
→ CAPSTAN CONTROL SIGNAL
○ WAVEFORM

onable voltage is below.
 SEC mode = more than 3.5V.
 SECAM = 2.0 - 3.5V
 PAL mode = 1.5V



LOCATION GUIDE

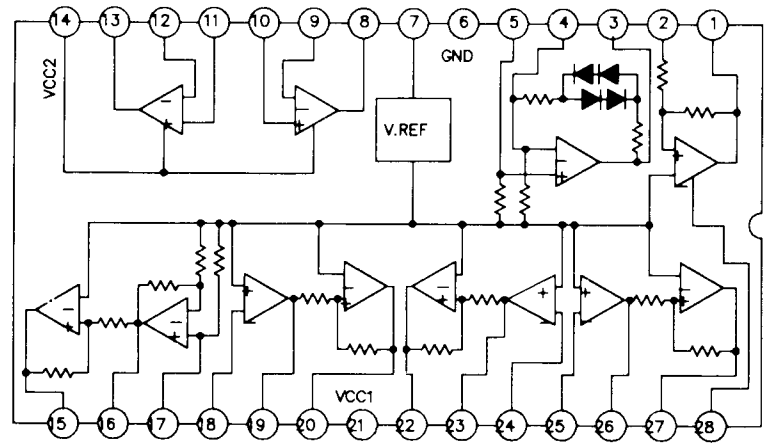
C300	B10	D3A1	M11
C301	B8	D3M1	M11
C302	C7	IC301	F10
C303	C6	IC302	C5
C304	C6	IC303	J3
C305	C6	L301	C8
C306	B6	L302	F6
C307	B6	L303	E6
C308	E8	L304	E5
C309	E8	L305	F4
C310	E7	L306	G5
C311	E7	L307	G4
C312	E7	L308	G4
C313	F5	L309	J5
C314	F5	L310	L5
C315	E6	L311	M3
C316	E4	L312	I11
C317	F4	L313	C10
C318	H6	L314	G7
C319	G4	L315	F9
C320	G4	L316	F9
C321	G4	L317	G8
C322	G5	L318	F9
C323	E4	L319	F9
C324	G5	L320	O8
C325	H4	L321	P7
C326	I4	L322	C4
C327	H4	L323	H6
C328	H5	L3A1	L10
C329	H5	L3M1	M12
C330	I6	MD301	Q7
C331	I5	Q301	A7
C332	I6	Q302	F4
C333	I5	Q303	F4
C334	I5	Q304	H4
C335	J5	Q305	I5
C336	J6	Q306	K10
C337	K5	Q307	D11
C338	J4	Q308	C11
C339	J4	Q309	E9
C340	K4	Q310	N8
C341	K4	Q311	D4
C342	K4	Q312	G11
C343	L4	Q3A1	L10
C344	M4	R301	C8
C345	M4	R302	D5
C346	L3	R303	E5
C347	E4	R304	E5
C348	M3	R305	E7
C349	K2	R306	E7
C350	J2	R307	E4
C351	J10	R308	F4
C352	J10	R309	F4
C353	I10	R310	F4
C354	I10	R311	F4
C355	I10	R312	D4
C356	H10	R313	H10
C357	H10	R314	F4
C358	G10	R315	F4
C359	H10	R316	F5
C360	G10	R317	G3
C361	D11	R318	G4
C362	M8	R319	I11
C363	M8	R320	G5
C364	M8	R321	H5
C365	N7	R322	H4
C366	O8	R323	F7
C367	O8	R324	I4
C368	O8	R325	H4
C369	O7	R326	H6
C370	P7	R327	H6
C371	F7	R328	I5
C372	C9	R329	I5
C373	D9	R330	J3
C374	E9	R331	J2
C375	F9	R332	J2
C376	F9	R333	K11
C377	F9	R334	I10
C378	F8	R335	H10
C379	G8	R336	D11
C380	G6	R337	C11
C381	E5	R338	G7
C382	K2	R339	F7
C383	K2	R340	F7
C384	K2	R341	E9
C385	B4	R342	E9
C386	J10	R343	E9
C387	I10	R344	E9
C388	K10	R345	F8
C389	M2	R346	N8
C390	G11	R347	N7
C391	G11	R348	N8
C392	M2	R349	O7
C393	L11	R350	O7
C394	H5	R351	O7
C395	H5	R352	P8
C396	N10	R353	P8
C397	O10	R354	P7
C398	N11	R355	P7
C399	P11	R356	J10
C400	O11	R357	N11
D301	D5	R3M1	N11
D302	D4	R3M2	N11
D303	G2	X301	J10
D304	C10		
D305	J11		
D306	I11		
D307	H5		

'95.07.06 7 - 791A

3. Servo/Syscon Block Diagram

11
10
9
8
7
6
5
4
3
2
1

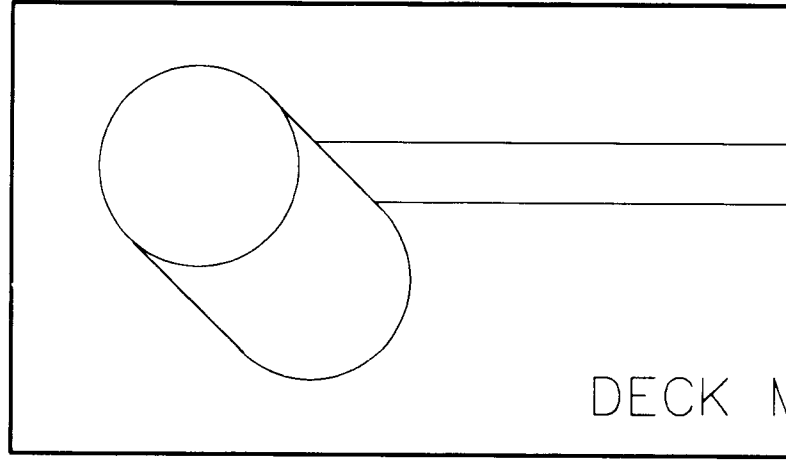
A B C D E F G H I



IC502
LA7117

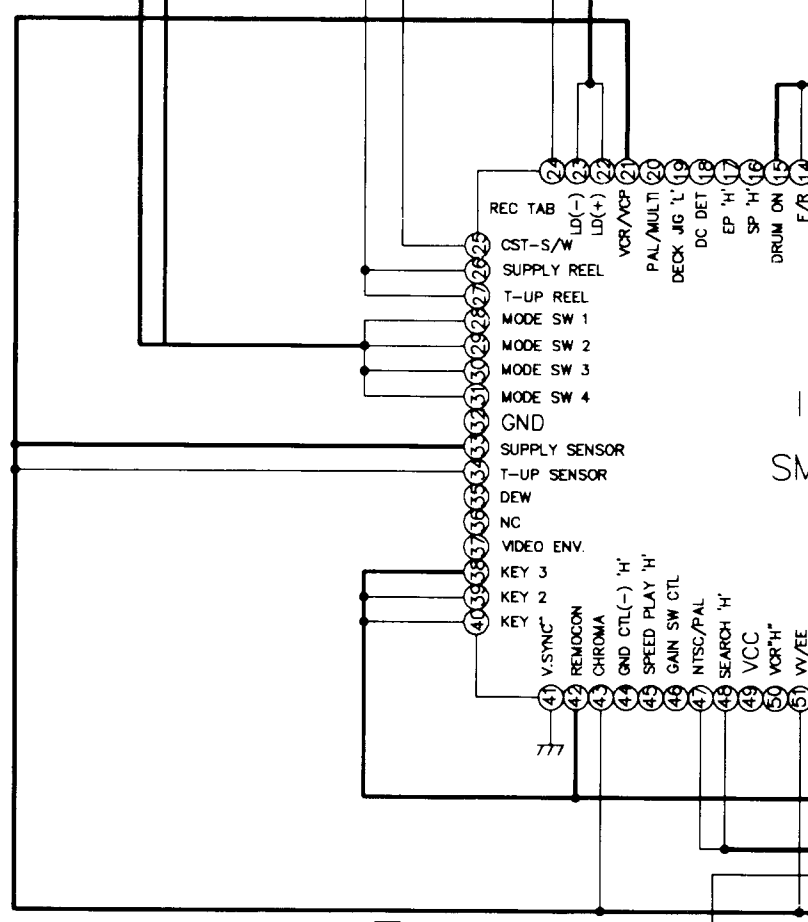
CAPSTAN
CONTROL

DRUM
CONTROL



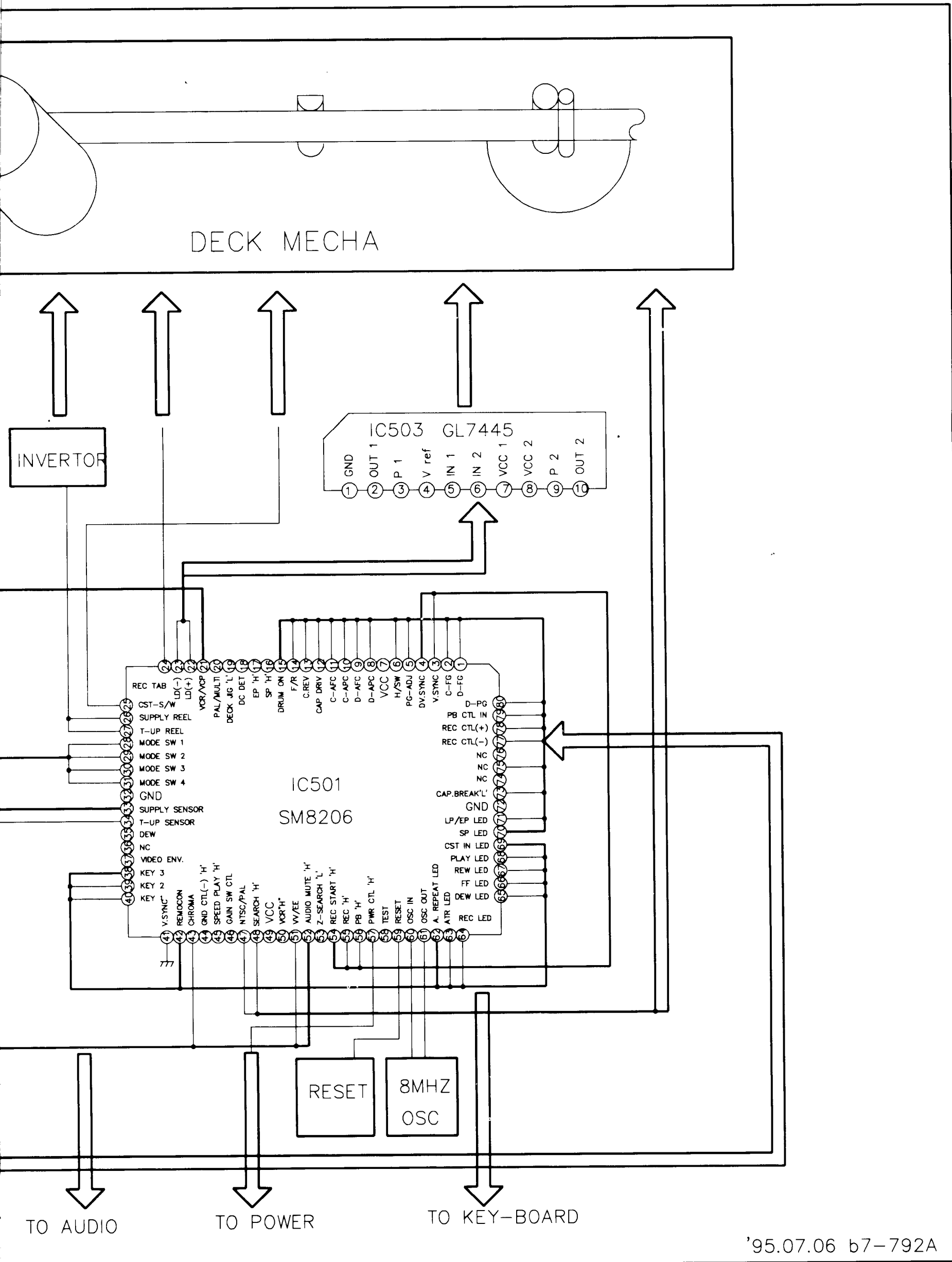
DECK M

INVERTOR



TO AUDIO

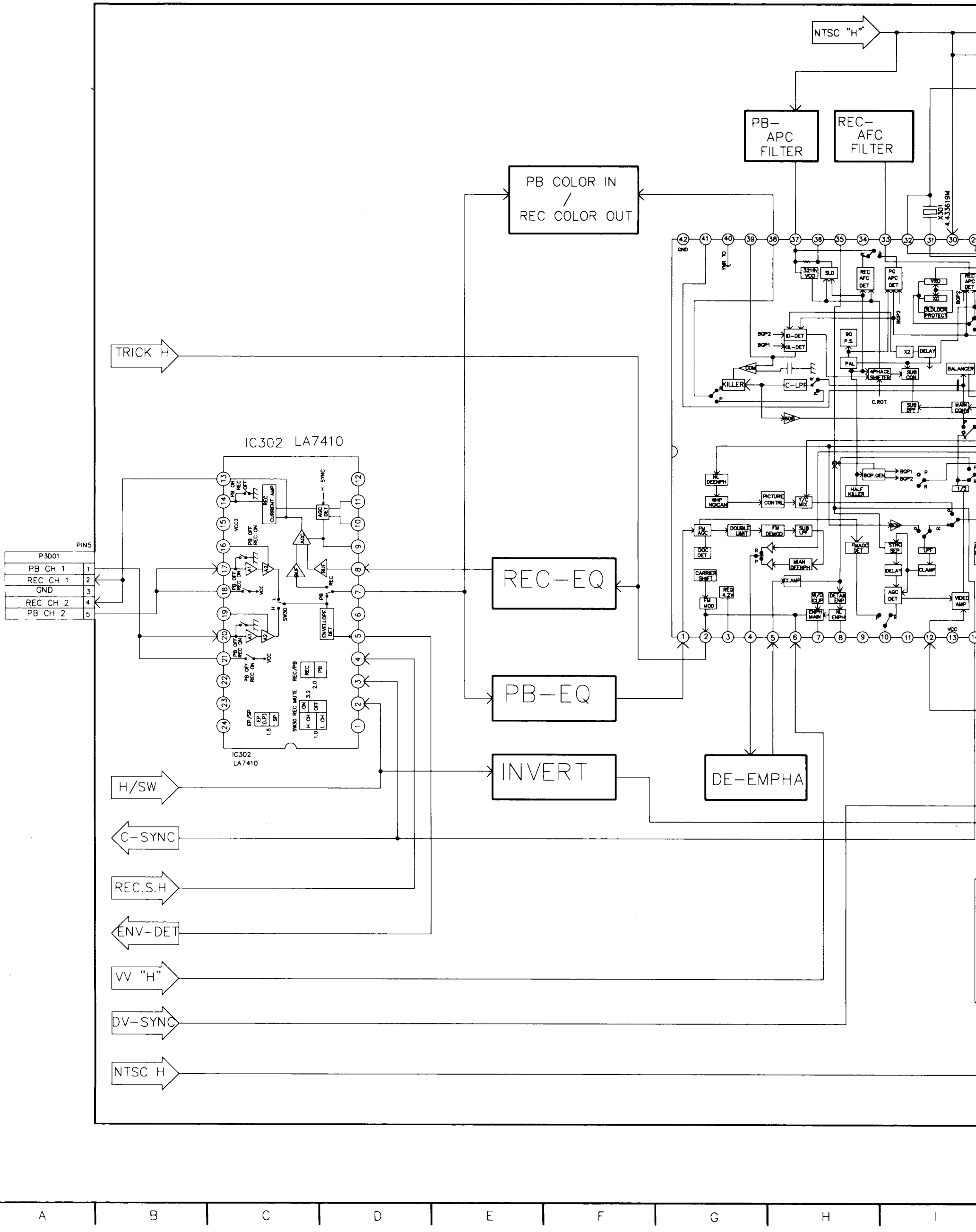
TO POWER

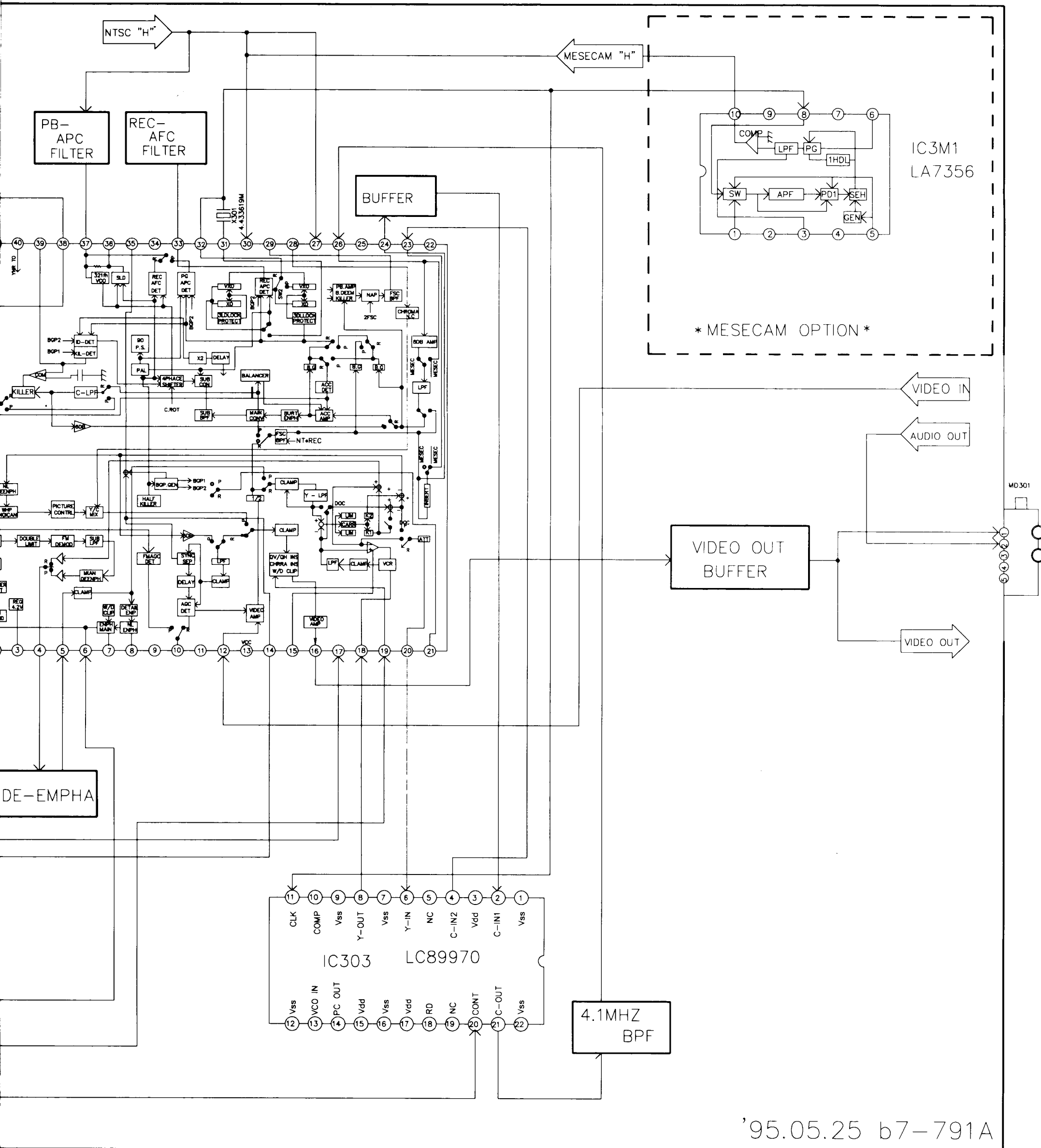


G H I J K L M N O

4. Y/C Block Diagram

11
10
9
8
7
6
5
4
3
2
1





'95.05.25 b7-791A