

<http://www.schematy-tv.prv.pl>

GoldStar
CF-20/21D30
CF-20D29
chassis: MC-64B

<http://www.servis.tv>
serwis Tv
- Włocławek, tel. 362-1439 -

TABLE OF A/V OPT

NO	C-NO	W/PK
1	R241	

NOTICE

<http://www.schematy-tv.prv.pl>

Since this is a basic schematic diagram, the value of components and some partial connection are subject to be changed for improvement without notice.

The components marked Δ conform VDE or IEC guidelines and essential for safe operation of the TV receiver, while those marked ∇ are required for correct operation. Use specified parts only when replacing.

VALUE OF RESISTER, CAPACITOR AND INDUCTOR

1. Resistance is shown in ohm, K=1.000 M=1.000.000.
2. Unless otherwise noted in schematic, all capacitor values less than 1 are expressed in uF and the values more than 1 in pF
3. Unless otherwise noted in schematic, all inductor values are expressed in uH.

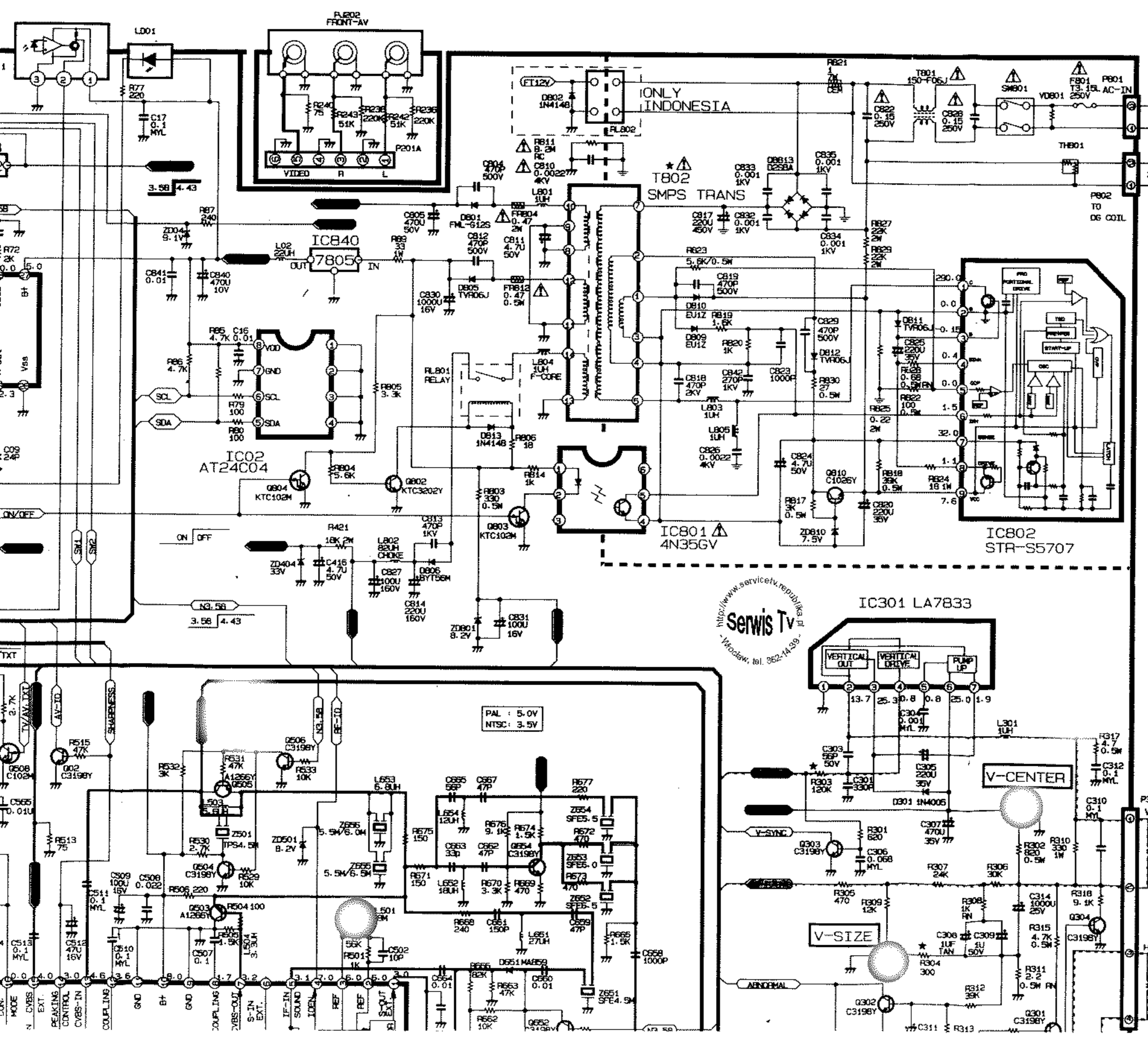
OBSERVATION OF VOLTAGE AND WAVEFORMS

1. Voltages read with VTVM from point to ground line voltages 180 - 270 volts, color bar signal.
2. Voltages reading may vary +/- 20 %.
3. The schematic shown is representative only.
4. All waveforms are taken using a wide band oscilloscope and a low capacity probe
5. Check FINE TUNING, AGC, BRIGHTNESS, CONTRAST and COLOR controls for best picture, make sure that BRIGHTNESS and COLOR controls are in mid position and CONTRAST control is almost in maximum position
6. Waveforms are taken using a standard color signal.

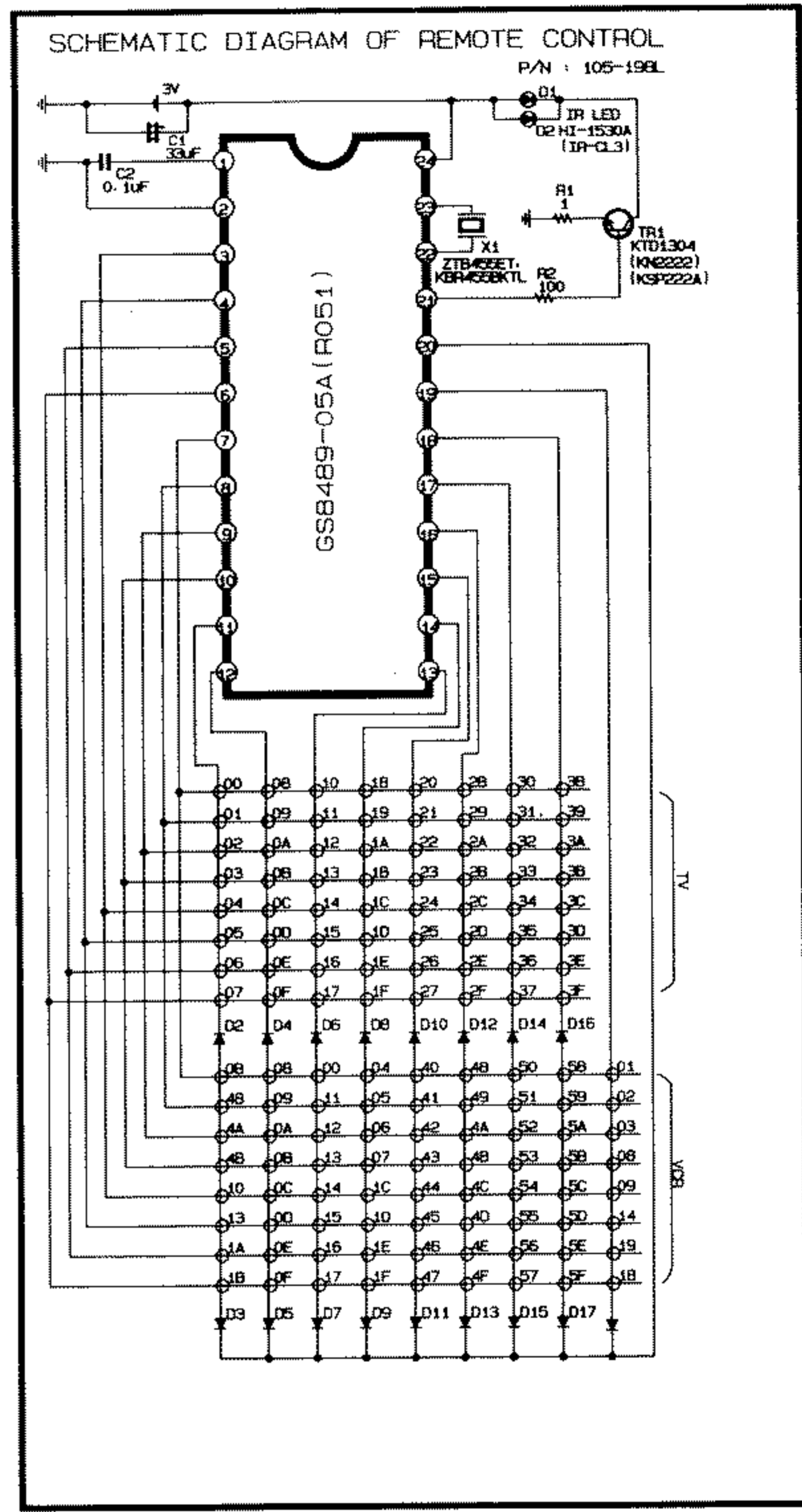
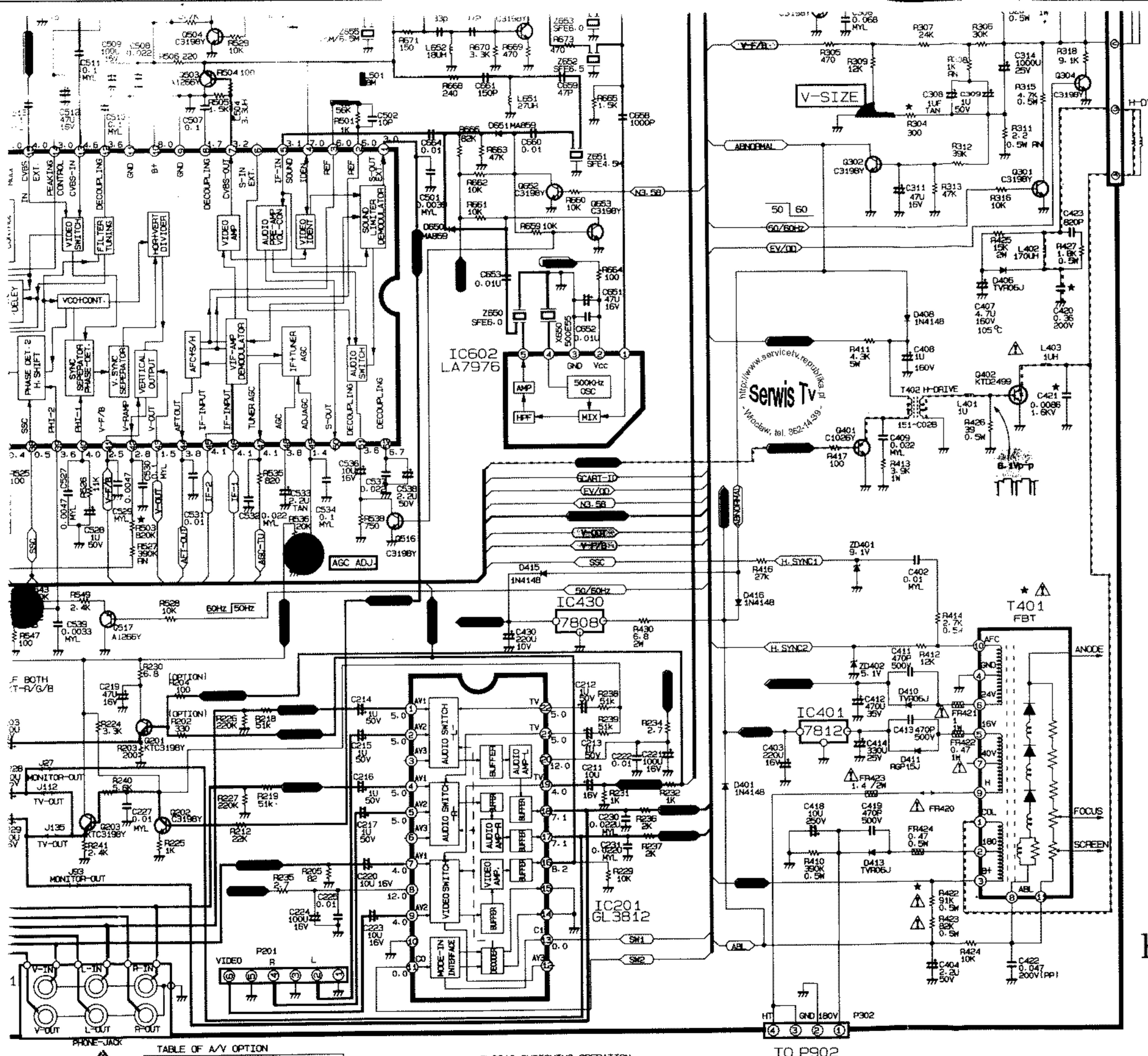
TABLE OF INCH CONVERSION (* : changing parts)

CIRCUIT NO.	INCH		REMARK
	20"	21"	
T401	154-375H	154-375F	FBT
T802	151-805K	151-805L	SMP5 TRANS
C420	0.36UF 200V	0.47UF 200V	MPP TYPE
R304	300 1/6W	350 1/6W	FD TYPE
R303	120K 1/6W	91K 1/6W	FD TYPE
R503	820K 1/6W	620K 1/6W	FD TYPE
R422	91K 1/2W	75K 1/2W	FD TYPE

SCHEMATIC DIAGRAM OF REMOTE CONTROL



serwis Tv
<http://www.servistv.republika.pl>
 -Wroclaw, tel. 352-14-29-



<http://www.schematy-tv.prv.pl>
 GoldStar CF-20/21D30, CF-20C29
 chassis: MC-64B