

<NOTE1>

Value of C264 is different from kinds of CRT and FBT.

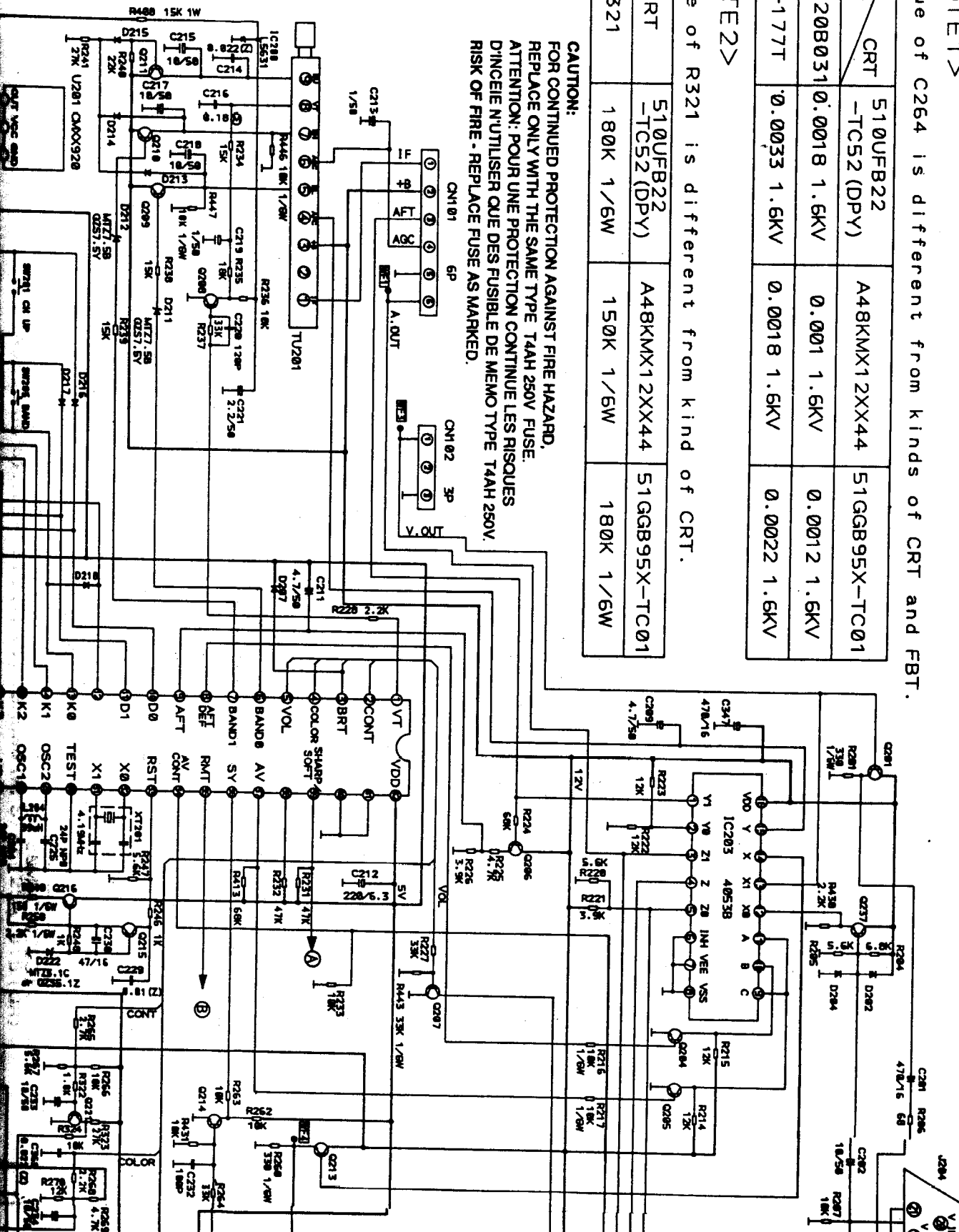
FBT	CRT	510UFB22 -TC52 (DPY)	A48KM12XX44	51GGB95X-TC01
FCM-20B031		0.0018 1.6KV	0.001 1.6KV	0.0012 1.6KV
154-177T		0.0033 1.6KV	0.0018 1.6KV	0.0022 1.6KV

<NOTE2>

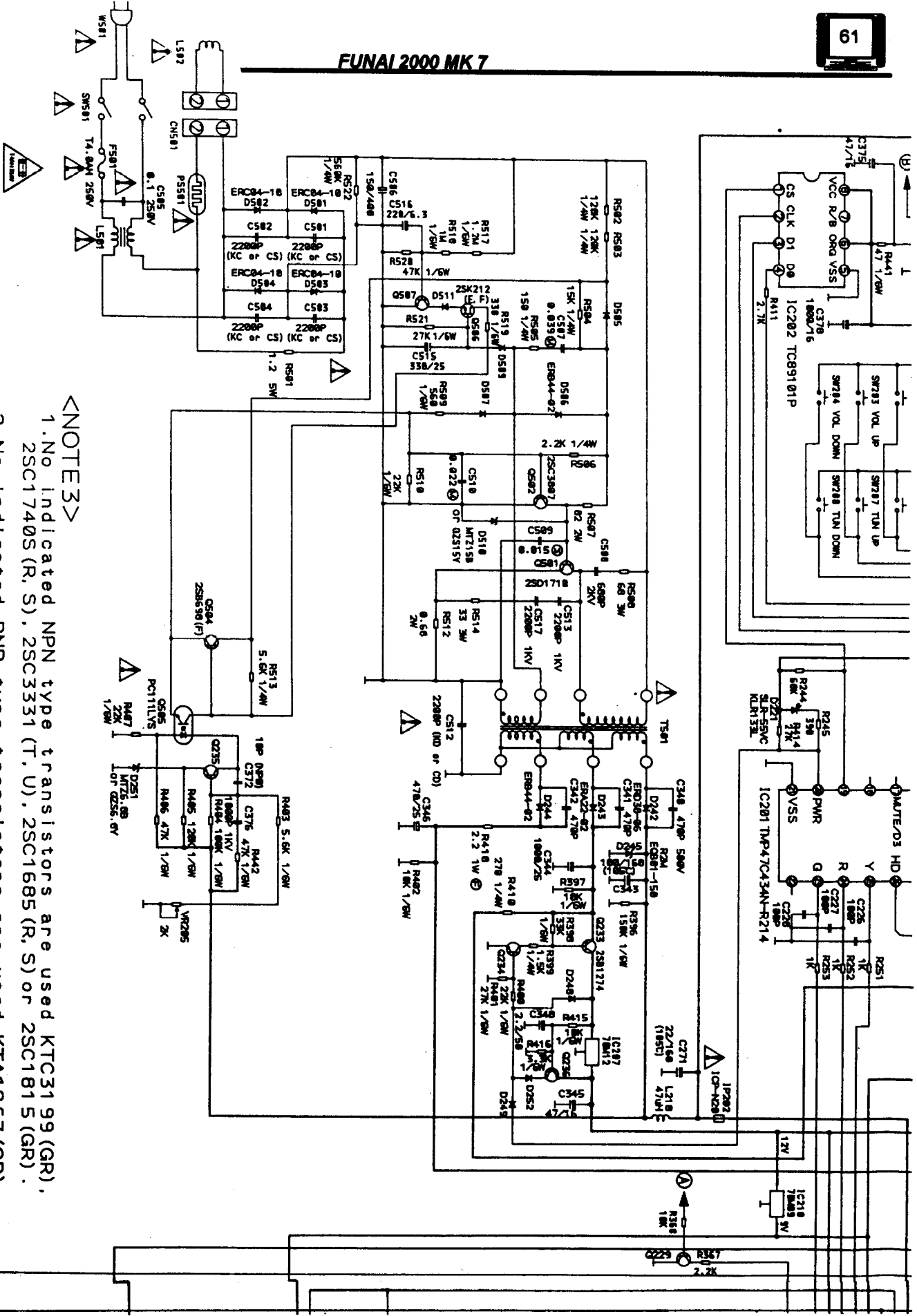
Value of R321 is different from kind of CRT.

CRT	510UFB22 -TC52 (DPY)	A48KM12XX44	51GGB95X-TC01
R321	180K 1/6W	150K 1/6W	180K 1/6W

**CAUTION:**  
 FOR CONTINUED PROTECTION AGAINST FIRE HAZARD,  
 REPLACE ONLY WITH THE SAME TYPE 14AH 250V FUSE.  
 ATTENTION: POUR UNE PROTECTION CONTINUE LES RISQUES  
 D'INCENDIE N'UTILISER QUE DES FUSIBLE DE MEMO TYPE 14AH 250V.  
 RISK OF FIRE - REPLACE FUSE AS MARKED.

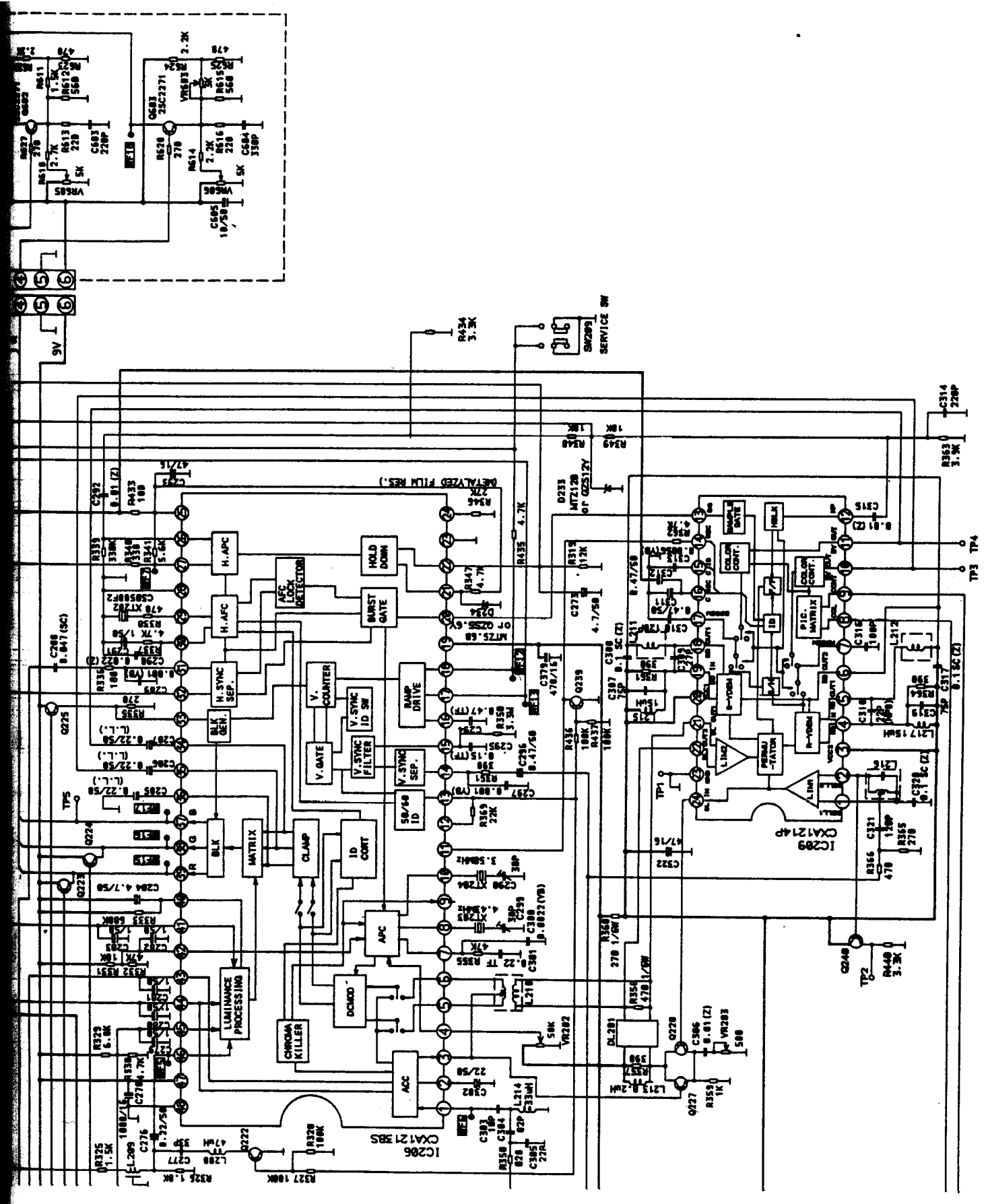


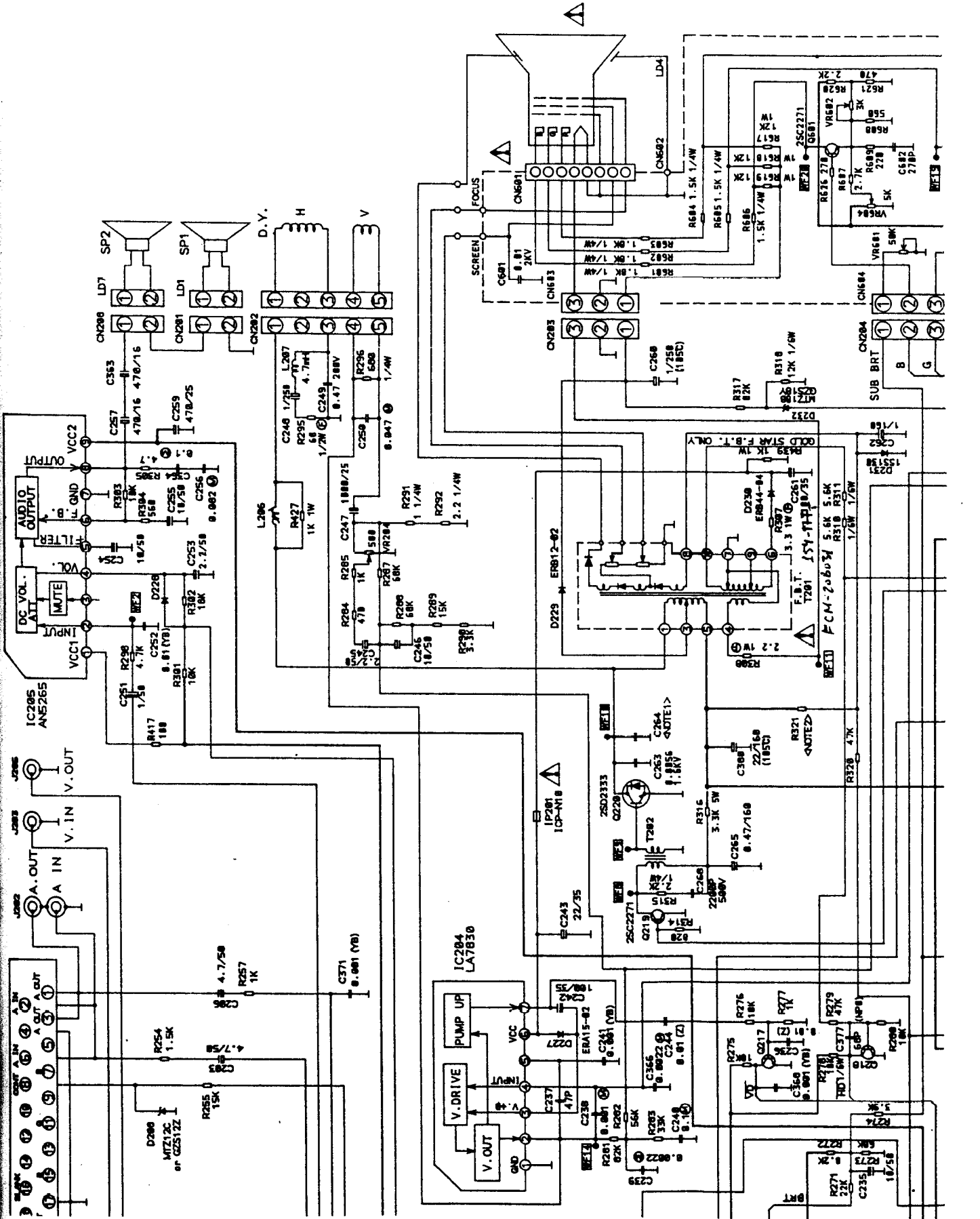
FUNAI 2000 MK 7



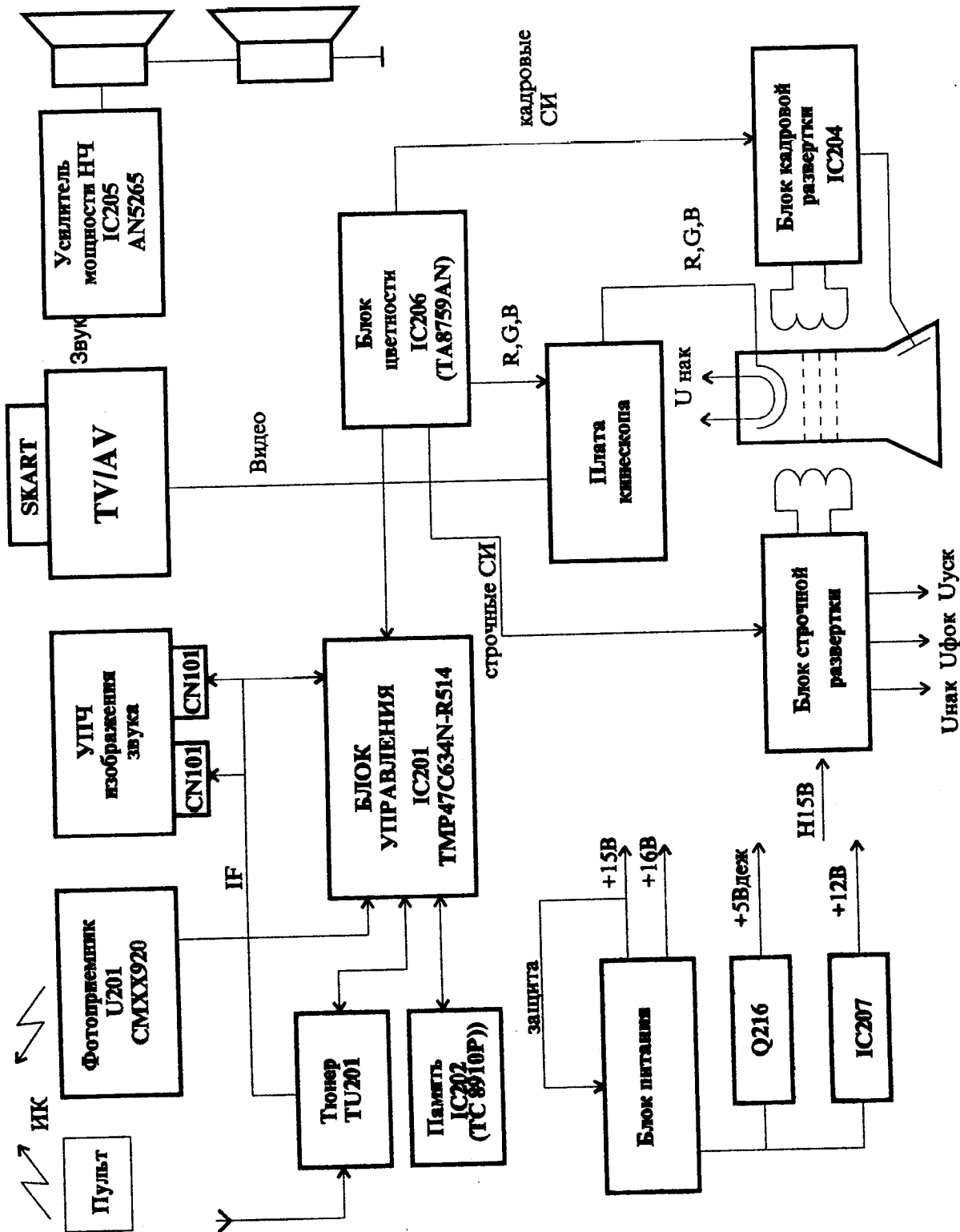
<NOTE3>

- 1.No indicated NPN type transistors are used KTC3199(GR), 2SC1740S(R,S), 2SC3331(T,U), 2SC1685(R,S) or 2SC1815(GR).
- 2.No indicated PNP type transistors are used KTA1267(GR), 2SA933S(R,S), 2SA1318(T,U), 2SA564(R,S) or 2SA1015(GR).

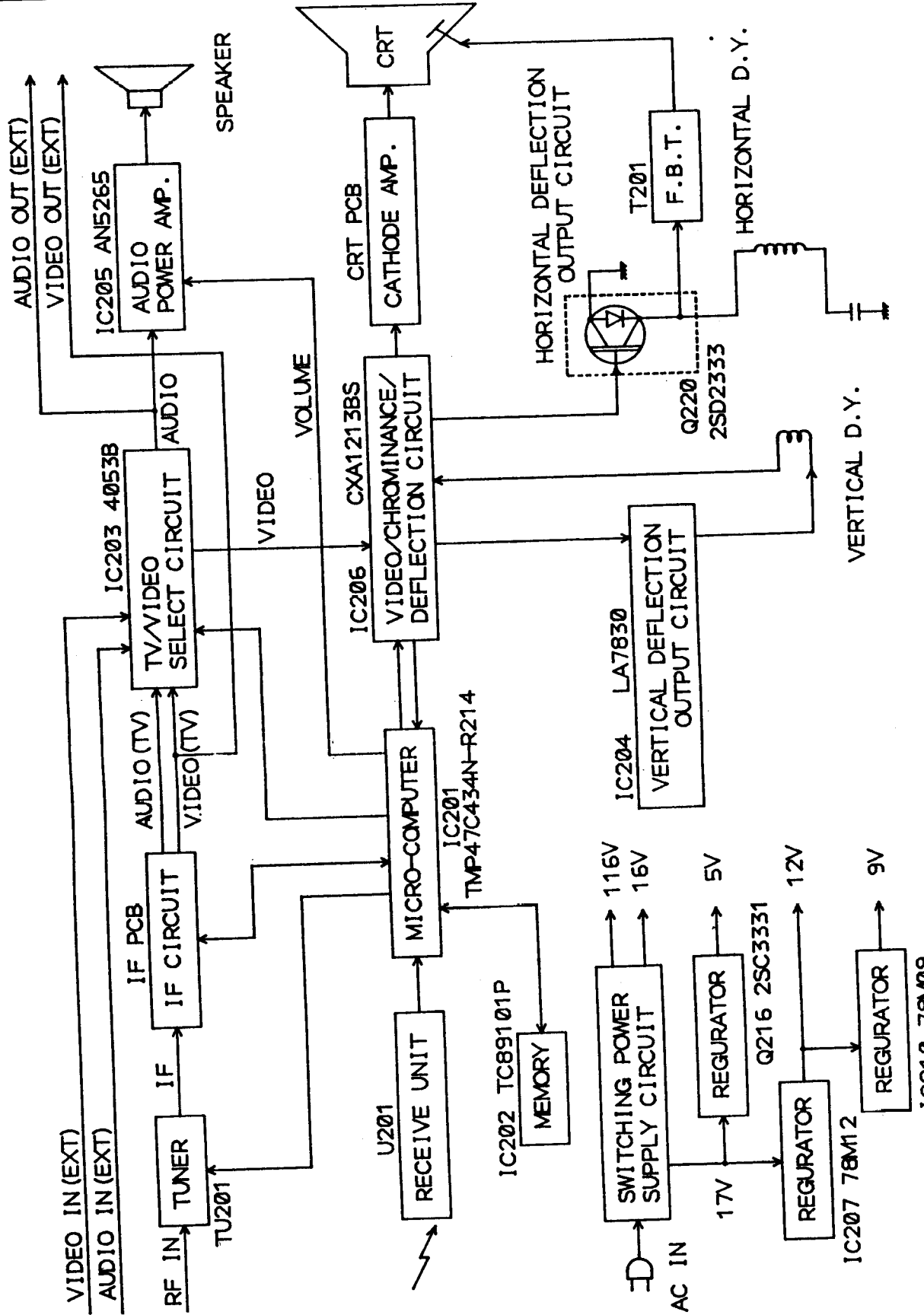




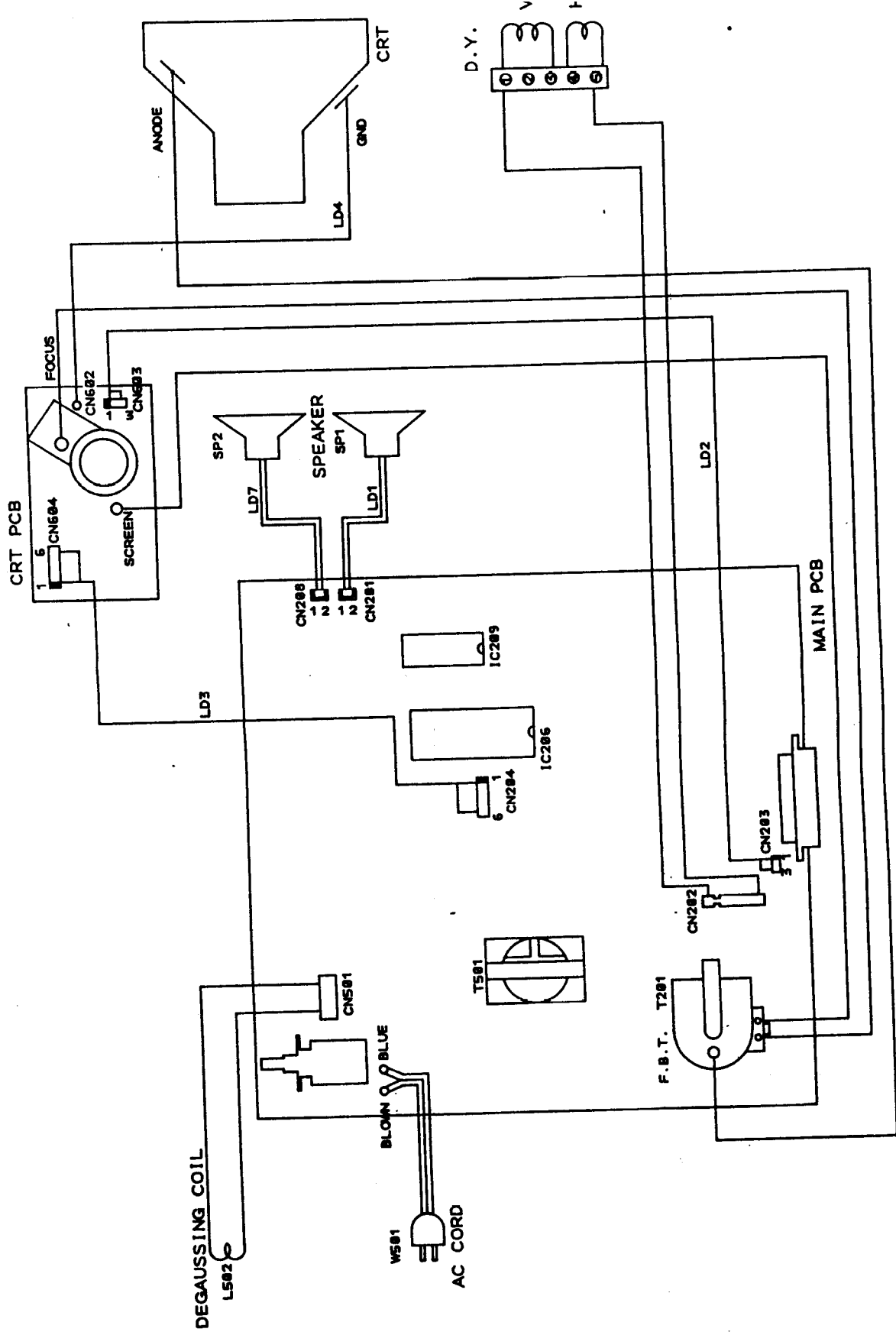
# Структурная схема.



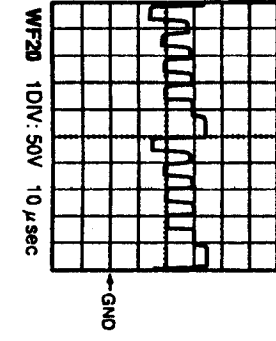
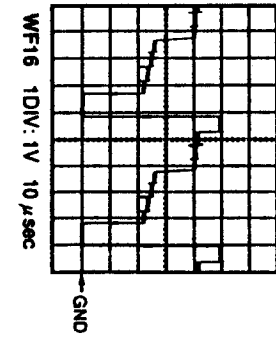
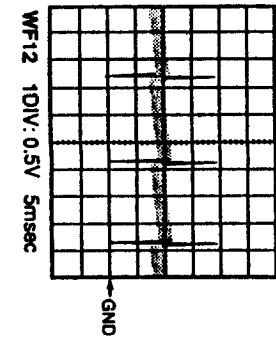
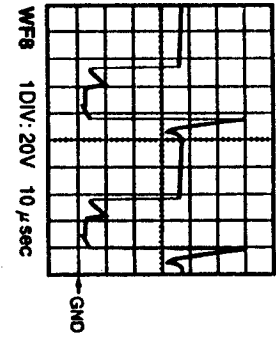
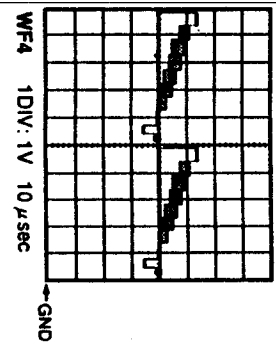
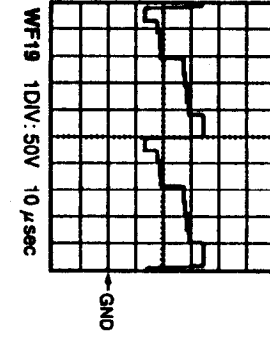
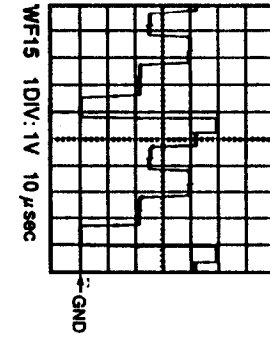
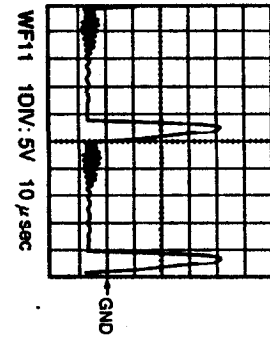
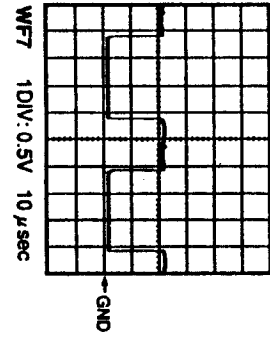
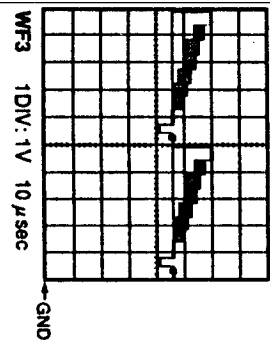
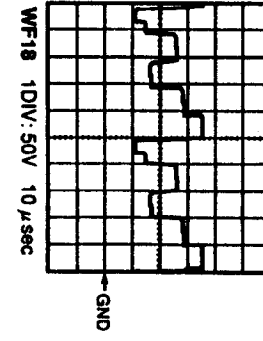
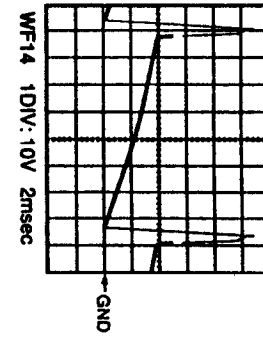
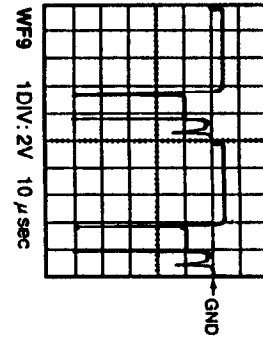
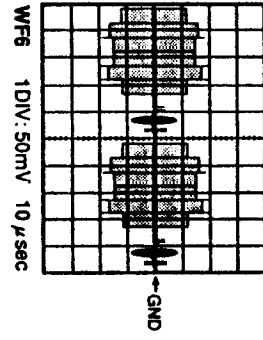
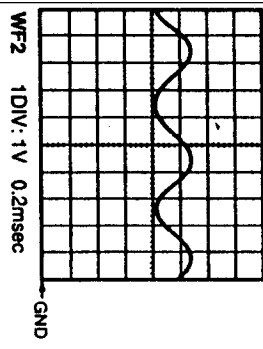
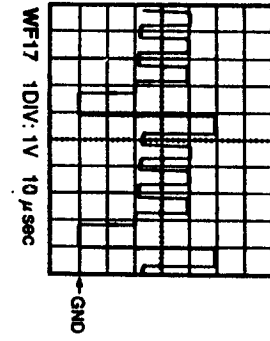
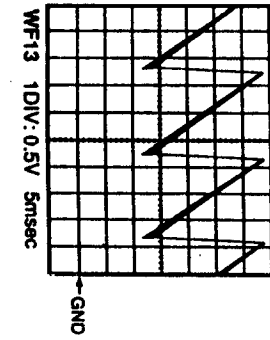
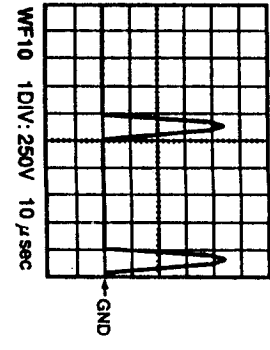
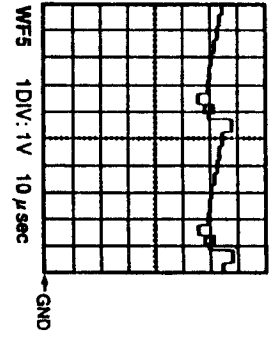
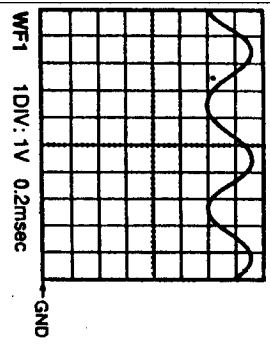
BLOCK DIAGRAM



# WIRING DIAGRAM



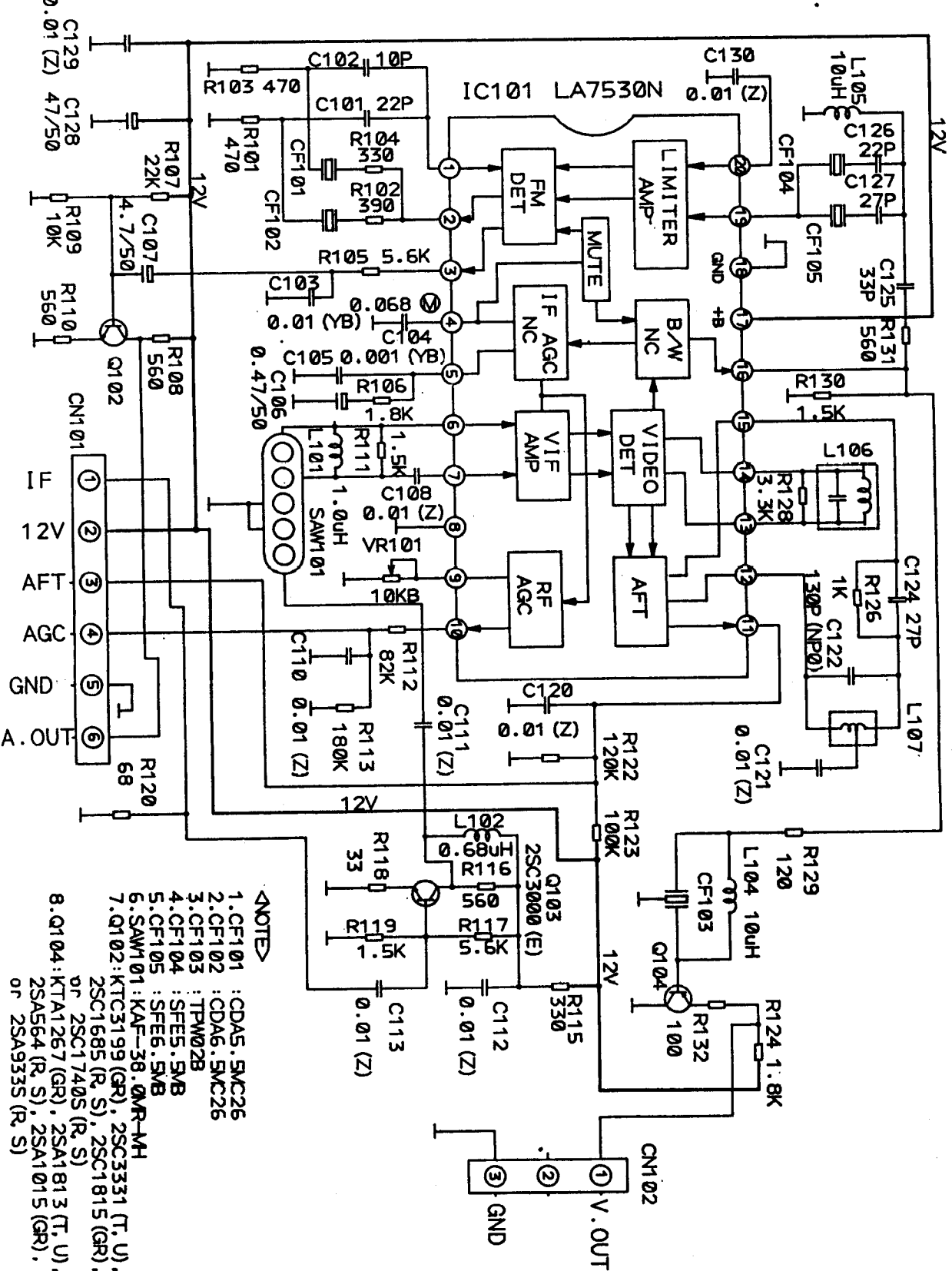
WF1 - WF20 = Waveforms to be observed at  
 Waveform check points.  
 (Shown in Schematic Diagram.)



INPUT : PAL Color Bar Signal (with 10Hz Audio Signal)  
 RECEIVING CH : E2 on (48.25 MHz)  
 PRESET MODE : Press Picture Select button on the remote control unit.  
 then press the number '1' button.  
 (Brightness—Center Color—Center Contrast—Approx 70%)



IF SCHEMATIC DIAGRAM



<NOTE>

1. CF101 : CDA5.5MC26
2. CF102 : CDA6.5MC26
3. CF103 : TPM02B
4. CF104 : SFE5.5MB
5. CF105 : SFE6.5MB
6. SAW101 : KAF-38.0MR-MH
7. Q102 : KTC3199 (GR), 2SC3331 (T, U),  
or 2SC1740S (R, S)
8. Q104 : KTA1267 (GR), 2SA1813 (T, U),  
2SA564 (R, S), 2SA1015 (GR),  
or 2SA933S (R, S)