

S/M No. : FR1700010

DAEWOO

Service Manual

Refrigerator

Model: FR-170

FR-171



DAEWOO ELECTRONICS CO., LTD.

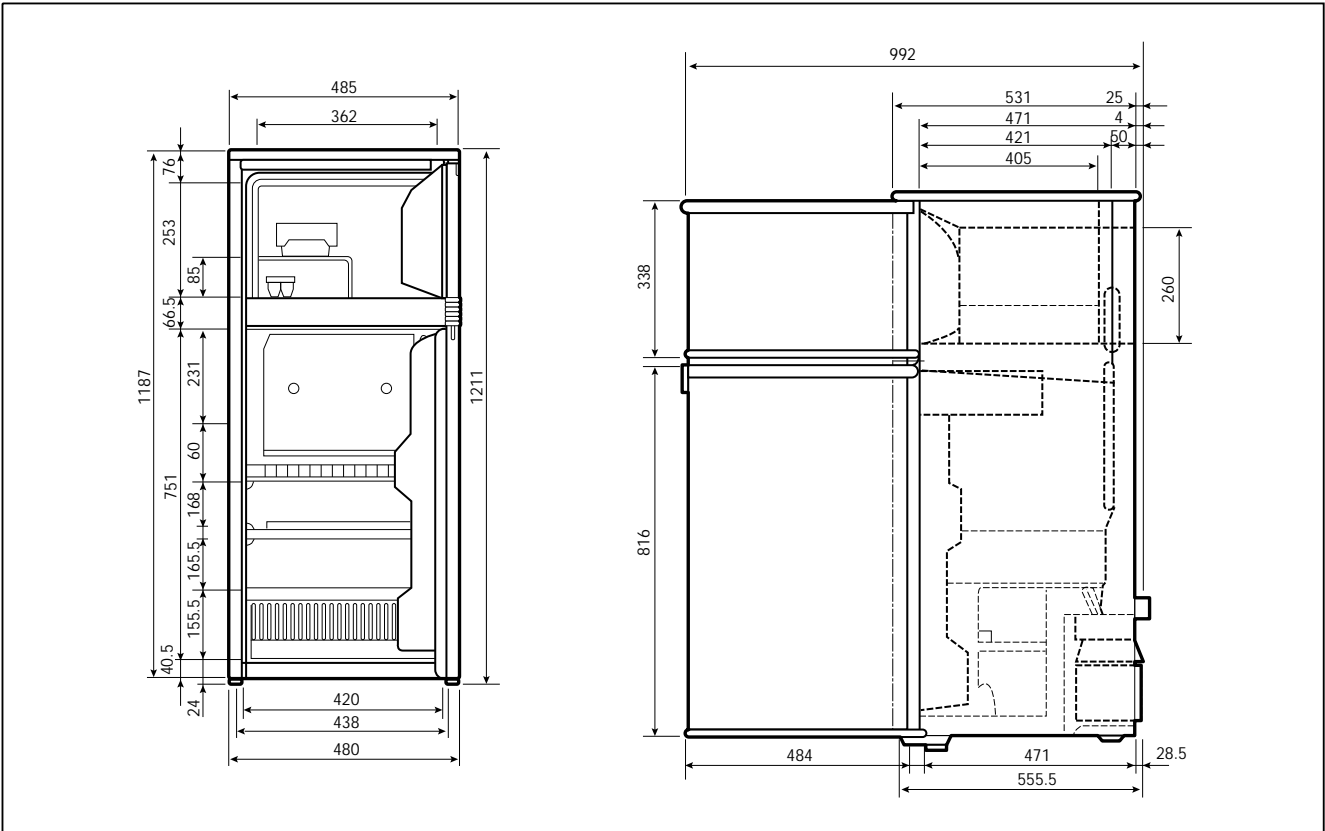
1. Specification	1
2. External view	2
3. Wire diagram	3
4. Name of parts.....	4
5. Refrigerant cycle diagram	5
6. Machine room view and part list.....	6
7. Main components	7
8. Door color specification	9
9. Exploded view and parts list	12

1. SPECIFICATION

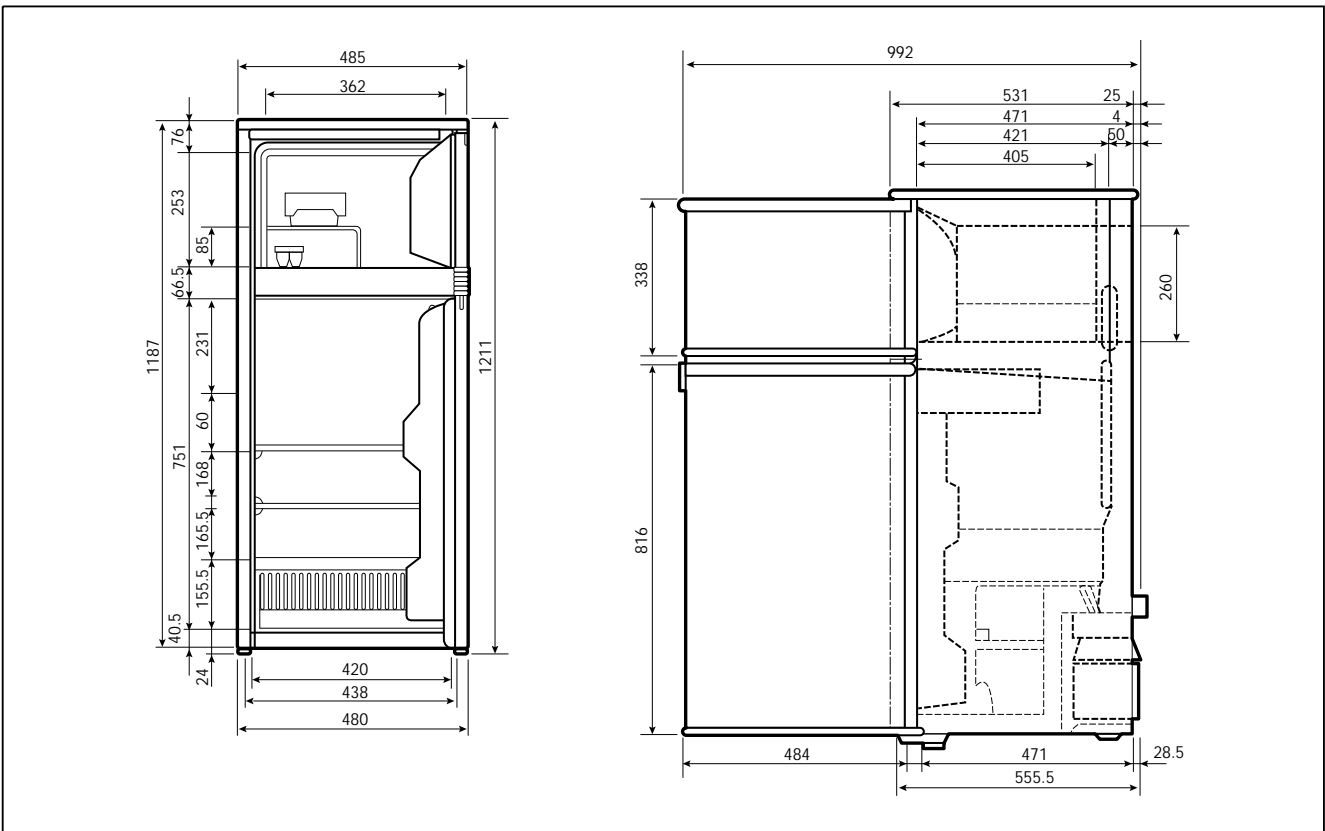
MODEL NAME		FR-170	FR-171
Refrigerant	R12	120g	120g
	R134a	105g	105g
Cooling System		Direct Cooling	
Refrigeration System		Natural Cold-air Convection	
Defrost System		Natural	
Defrost Operation		Freezer : Manual Start & Stop Refrigerator : Auto Start & Stop	
Cold Control		Adjustable Dial	
Capacity	Freezer	36 ℓ	36 ℓ
	Refrigerator	109 ℓ	109 ℓ
	Total	145 ℓ	145 ℓ
External Dimension	Height	1211mm	1211mm
	Width	486mm	486mm
	Depth	556mm	556mm
Net Weight		44Kg	44Kg

2. EXTERNAL VIEWS

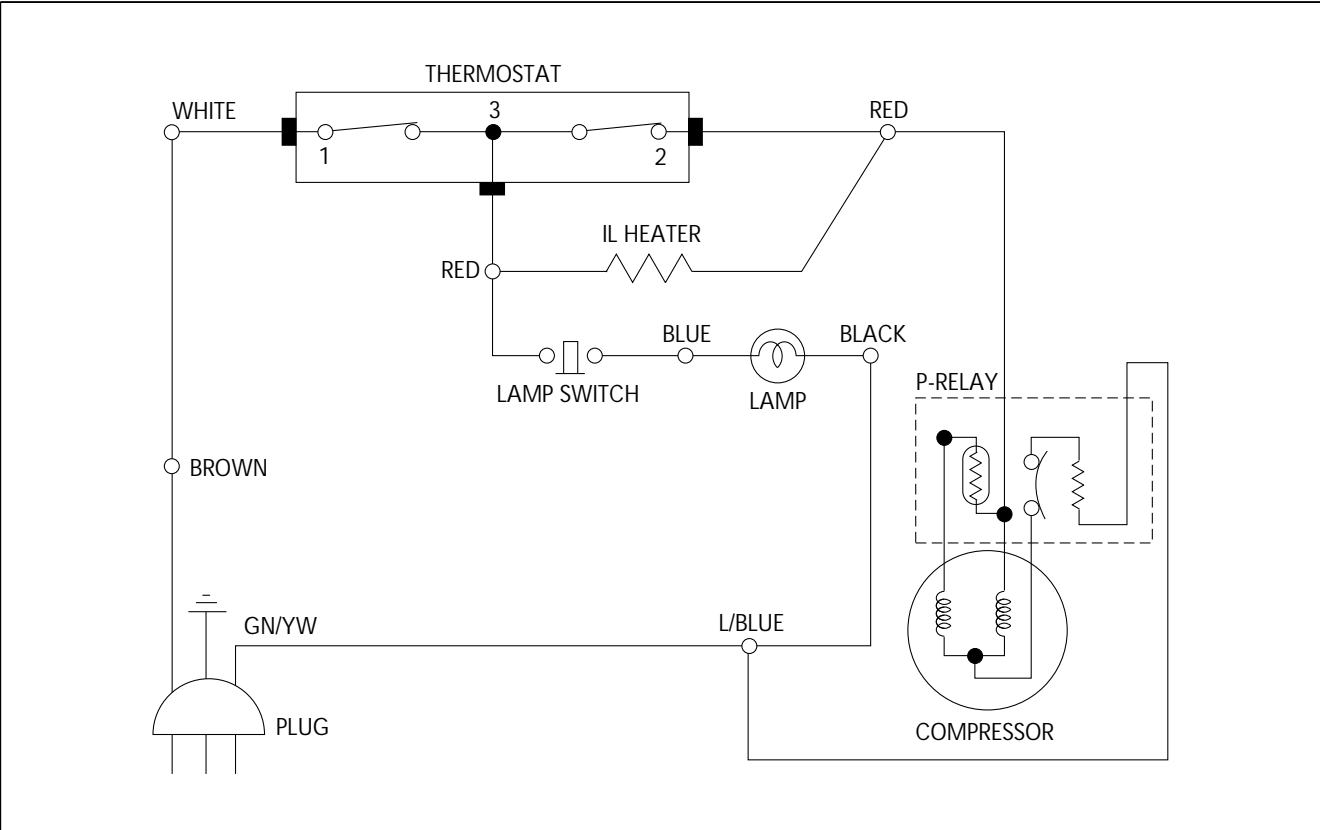
FR-170



FR-171

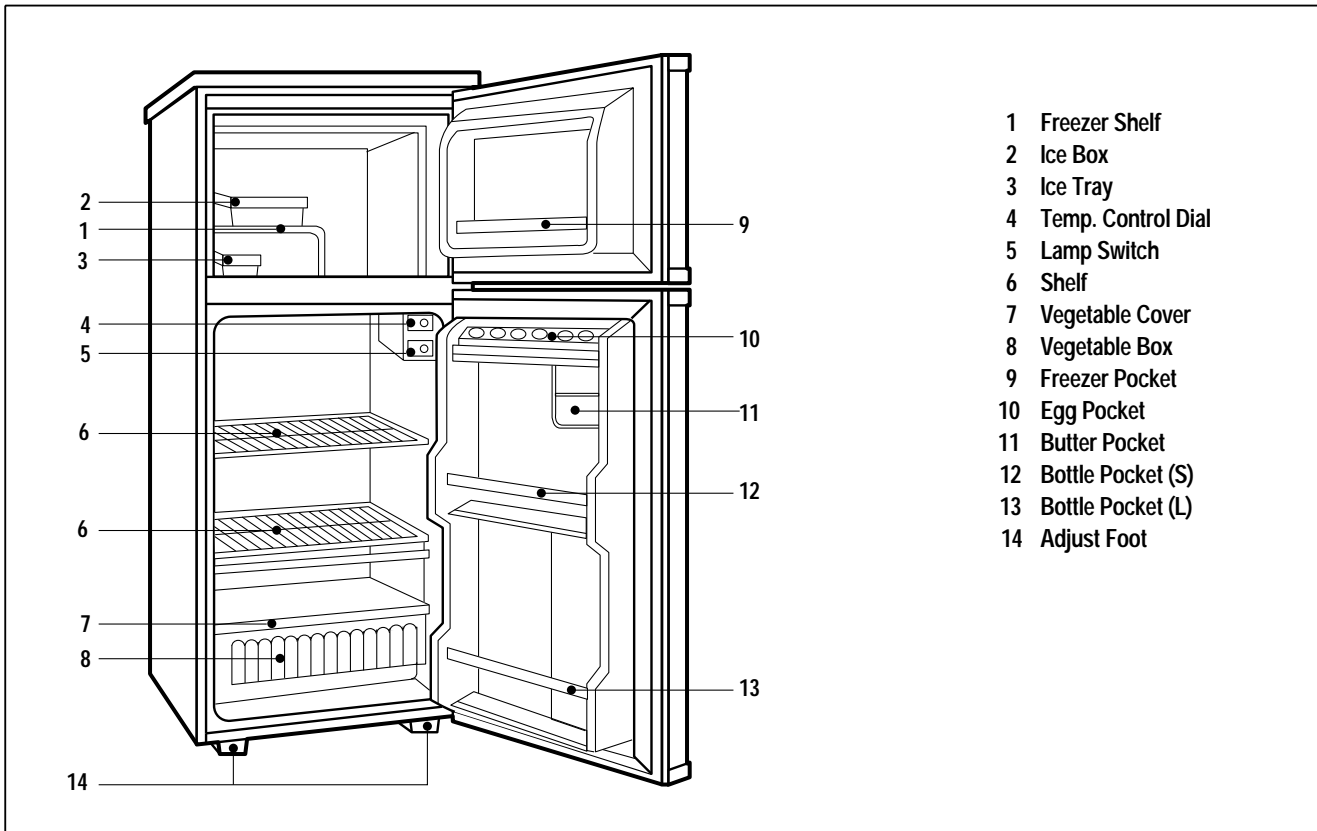


3. WIRE DIAGRAM

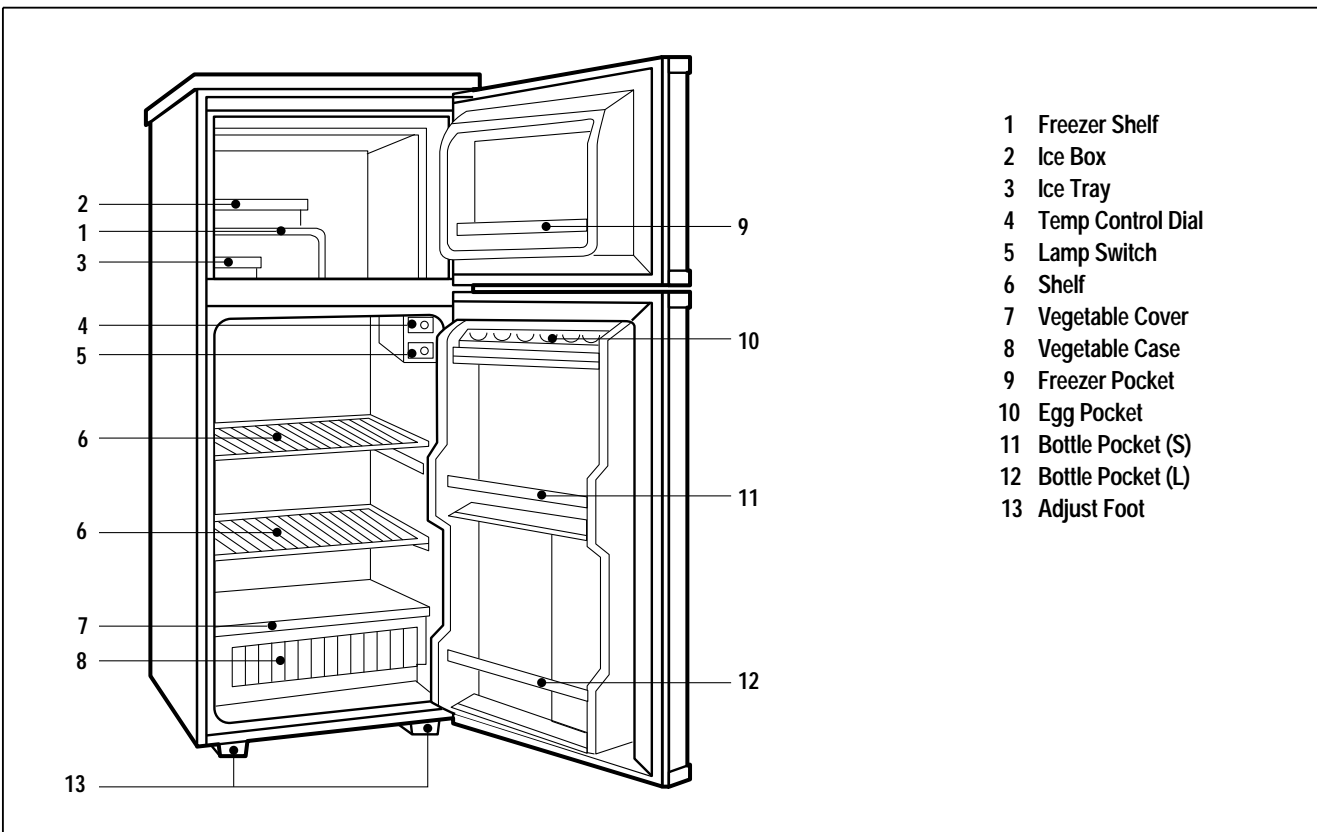


4. NAME OF PARTS

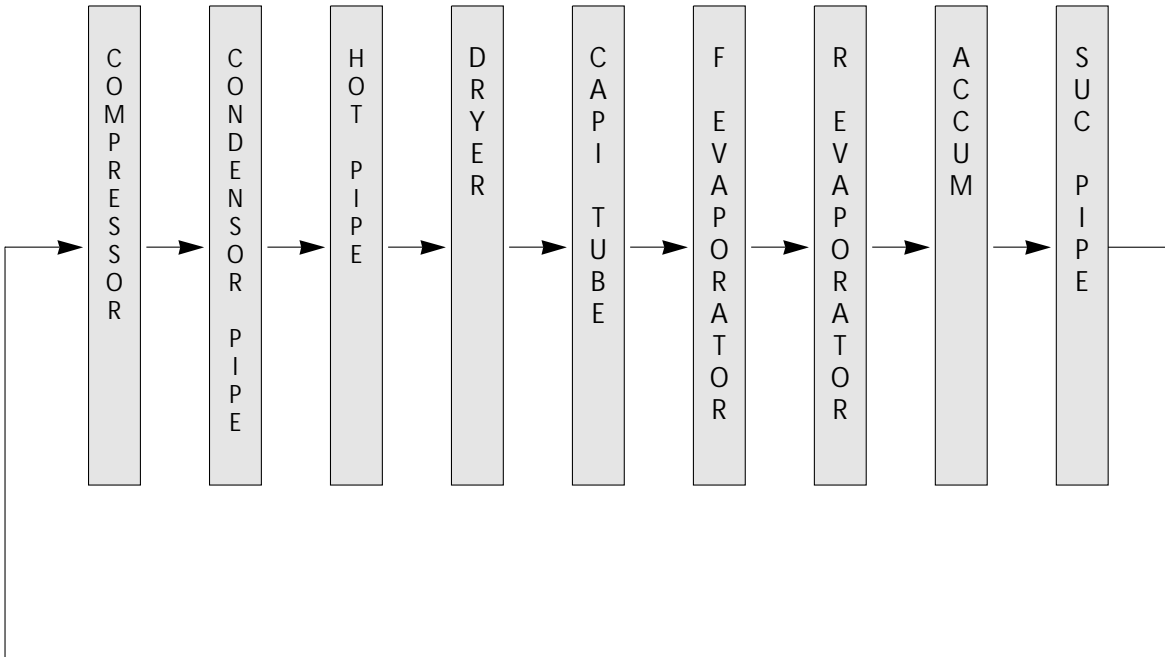
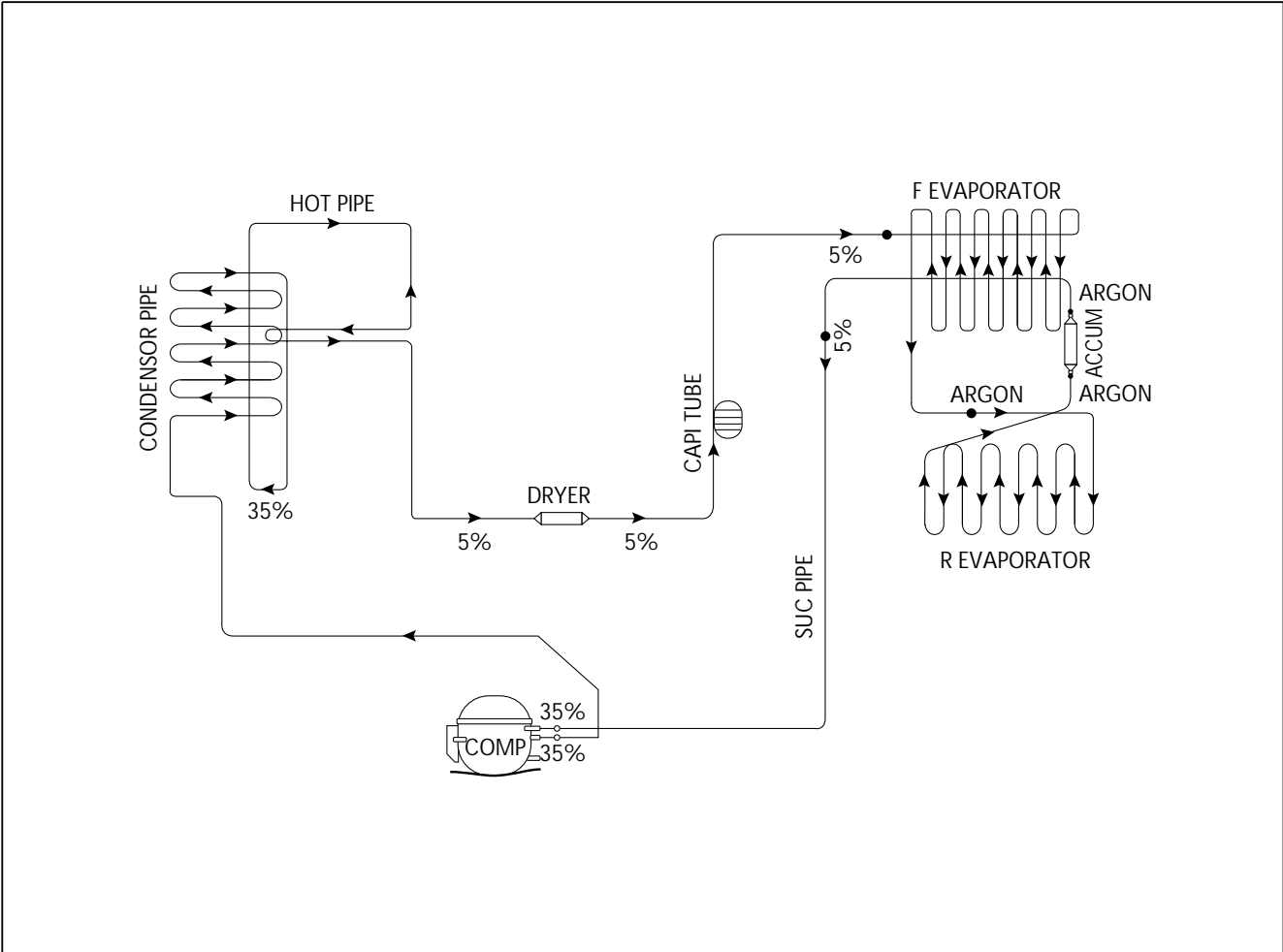
FR-170



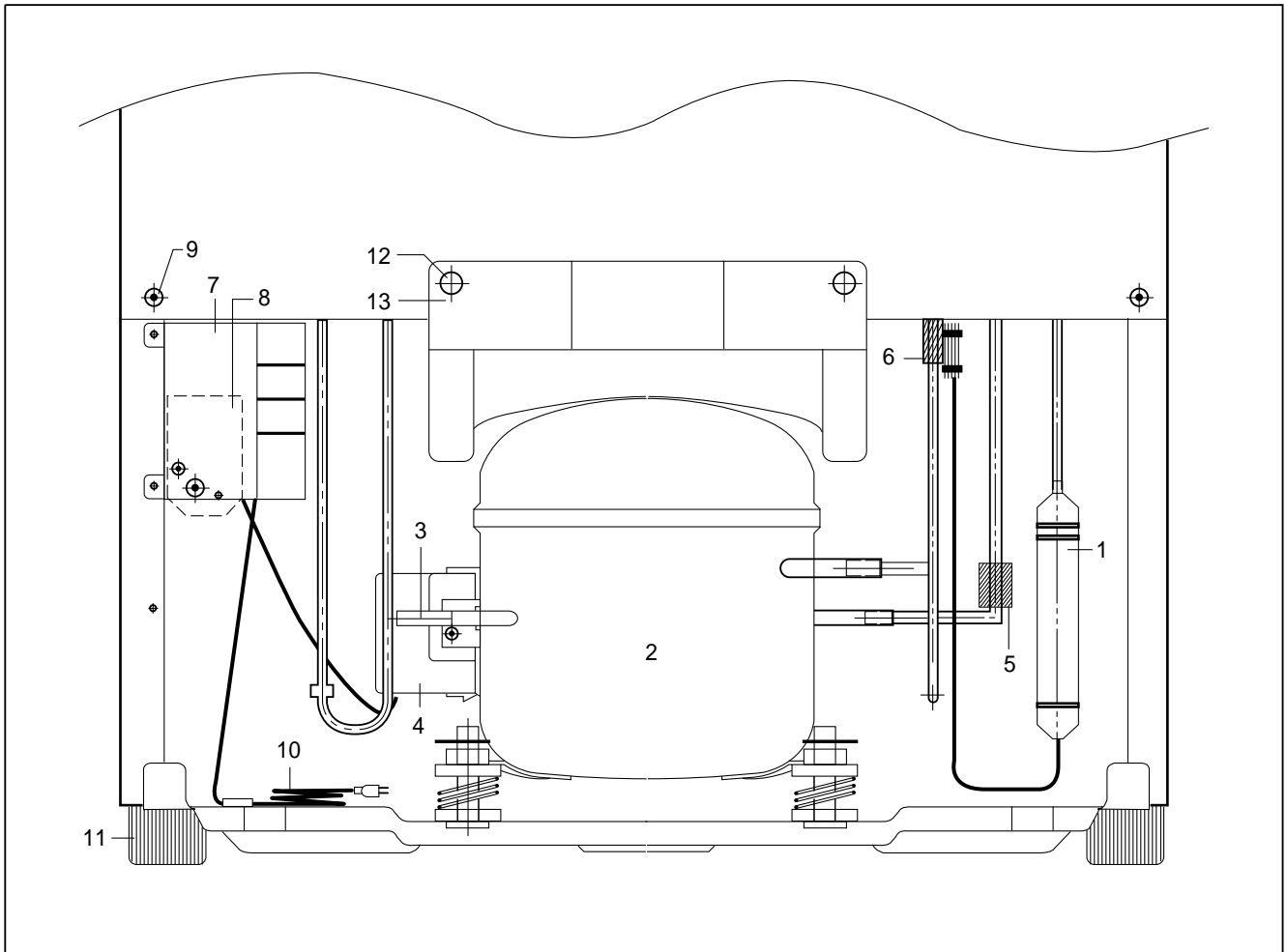
FR-171



5. REFRIGERANT CYCLE DIAGRAM



6. MACHINE ROOM VIEW AND PART LIST



NO	PART NAME	NO	PART NAME	NO	PART NAME
1	DRYER AS	6	VIBRATIONPROOF GUM	11	FOOT ADJ
2	COMPRESSOR	7	BOX POWER	12	FIXTURE VAPORI
3	PIPE SERVICE	8	CEC COVER	13	CASE VAPORI
4	SWITCH P-RELAY AS	9	SCREW TAPPING		
5	VIBRATIONPROOF MASS (A)	10	CORD POWER		

7. MAIN COMPONENTS

1. COMPRESSOR

Refrigerant	R12							
Voltage	100V/50,60Hz	110V/60Hz	115, 120V/60Hz	127V/60Hz	220V/50Hz	220V/60Hz	230V/50Hz	240V/50Hz
Comp. model	X	FL17J-3	X	FL15J-2	SL19J-5	PL17J-4	SL19J-5	X
Part code	X	3951117330	X	3951115320	3954119380	3956117340	3954119380	X
Strating type	X	RSIR	X	RSIR	RSIR	RSCR	RSIR	X

Refrigerant	R134a							
Voltage	100V/50,60Hz	110V/60Hz	115, 120V/60Hz	127V/60Hz	220V/50Hz	220V/60Hz	230V/50Hz	240V/50Hz
Comp. model	HEL19J	HEL15J-3	HEL15J-1	X	HSL19J-5	X	X	HSL19J-5
Part code	3953119E00	3953115E30	3953115E10	X	3954119E50	X	X	3954119E50
Strating type	RSCR	←	←	X	RSIR	X	x	RSIR

2. RELAY ASSEMBLY

Refrigerant	R12							
Voltage	100V/50,60Hz	110V/60Hz	115, 120V/60Hz	127V/60Hz	220V/50Hz	220V/60Hz	230V/50Hz	240V/50Hz
Relay model	X	317THBYY-52	X	276THBYY-52	174THBYY-52	129NHBYY-52	174HB77-52	X
Part code	X	3018108050	X	3018104860	3018104810	3018109610	3018104810	X

Refrigerant	R134a							
Voltage	100V/50,60Hz	110V/60Hz	115, 120V/60Hz	127V/60Hz	220V/50Hz	220V/60Hz	230V/50Hz	240V/50Hz
Relay model		213THBYY-52	232THBYY-52	X	213THBYY-52	X	X	213THBYY-52
Part code		3018104850	3018109600	X	3018108100	X	X	3018108100

3. RUNNING CAPACITOR

Refrigerant	R12							
Voltage	100V/50,60Hz	110V/60Hz	115, 120V/60Hz	127V/60Hz	220V/50Hz	220V/60Hz	230V/50Hz	240V/50Hz
Spec.	X	X	X	X	X	350V/5μF	X	X
Part code	X	X	X	X	X	400EL15110	X	X

Refrigerant	R134a							
Voltage	100V/50,60Hz	110V/60Hz	115, 120V/60Hz	127V/60Hz	220V/50Hz	220V/60Hz	230V/50Hz	240V/50Hz
Spec.	250V/16μF	230V/10μF	←	X	X	X	X	X
Part code	3816801900	400EL15130	←	X	X	X	X	X

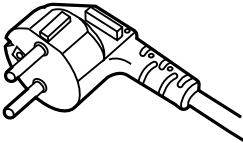
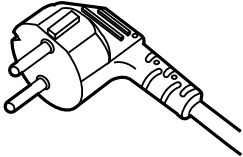
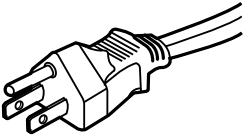
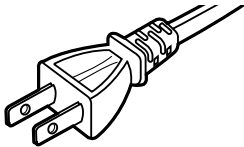
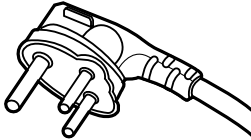
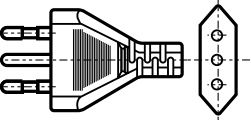
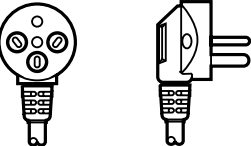
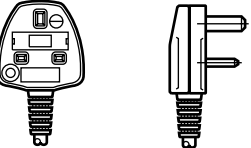

4. LAMP ASSEMBLY

Refrigerant	R12, R134a							
Voltage	100V/50,60Hz	110V/60Hz	115, 120V/60Hz	127V/60Hz	220V/50Hz	220V/60Hz	230V/50Hz	240V/50Hz
Spec.	15W	←	←	←	15W	←	←	←
Part code	400EL20111	←	←	←	3013600000	←	←	←

5. DRYER

Refrigerant	R12	R134a
Spec.	10 g	15 g
Part code	3016800103	3016801100

POWER CORD SPECIFICATION

NO	SHAPE OF POWER CODE	PART CODE	DESCRIPTION	REMARK
1		3011315000	CP-2PIN	FOR EUROPEAN COUNTRY
2		401RA17200	CP-2PIN	FOR OTHER COUNTRY
3		4006D17101	KP-30	FOR AMERICA
4		401PD17101	KP-211	FOR JAPAN & TAIWAN
5		3011300801	BP-3PIN	
6		3011303010	#267	FOR CHILE
7		3011315310		FOR ISRAEL
8		3011303050	BS-1363A	FOR U.K, MIDDLE ASIA SINGAPORE & MALAYSIA
9		3011301200	KP-551/550	FOR CHINA & AUSTRALIA

* Upper power cord's part code is only for lead wire, without any kinds of terminal or housing.

8. DOOR COLOR SPECIFICATION

FR-170

1. ASSEMBLY URETHAN FREEZER DOOR

Refrigerant	R12				R134a			
Color type	Dull lamina sheet	High glossy lamina sheet	Normal PCM	High glossy bright PCM	Dull lamina sheet	High glossy lamina sheet	Normal PCM	High glossy bright PCM
Part code	X	X	PFDT1UD210	X	X	X	PFDT1UD215	X

2. ASSEMBLY URETHAN REFRIGERATOR DOOR

1) Non key type

Refrigerant	R12				R134a			
Color type	Dull lamina sheet	High glossy lamina sheet	Normal PCM	High glossy bright PCM	Dull lamina sheet	High glossy lamina sheet	Normal PCM	High glossy bright PCM
Part code	X	X	PFDU2UD210	X	X	X	PFDU2UD125	X

FR-171

1. ASSEMBLY URETHAN FREEZER DOOR

Refrigerant	R12				R134a			
Color type	Dull lamina sheet	High glossy lamina sheet	Normal PCM	High glossy bright PCM	Dull lamina sheet	High glossy lamina sheet	Normal PCM	High glossy bright PCM
Part code	X	X	PFDT1UD020	PFDT1UD140	X	X	PFDT1UD025	PFDT1UD145

2. ASSEMBLY URETHAN REFRIGERATOR DOOR

1) Non key type

Refrigerant	R12				R134a			
Color type	Dull lamina sheet	High glossy lamina sheet	Normal PCM	High glossy bright PCM	Dull lamina sheet	High glossy lamina sheet	Normal PCM	High glossy bright PCM
Part code	X	X	PFDU2UD020	PFDU2UD120	X	X	PFDU2UD025	PFDU2UD215

COLOR TABLE

1. PCM type

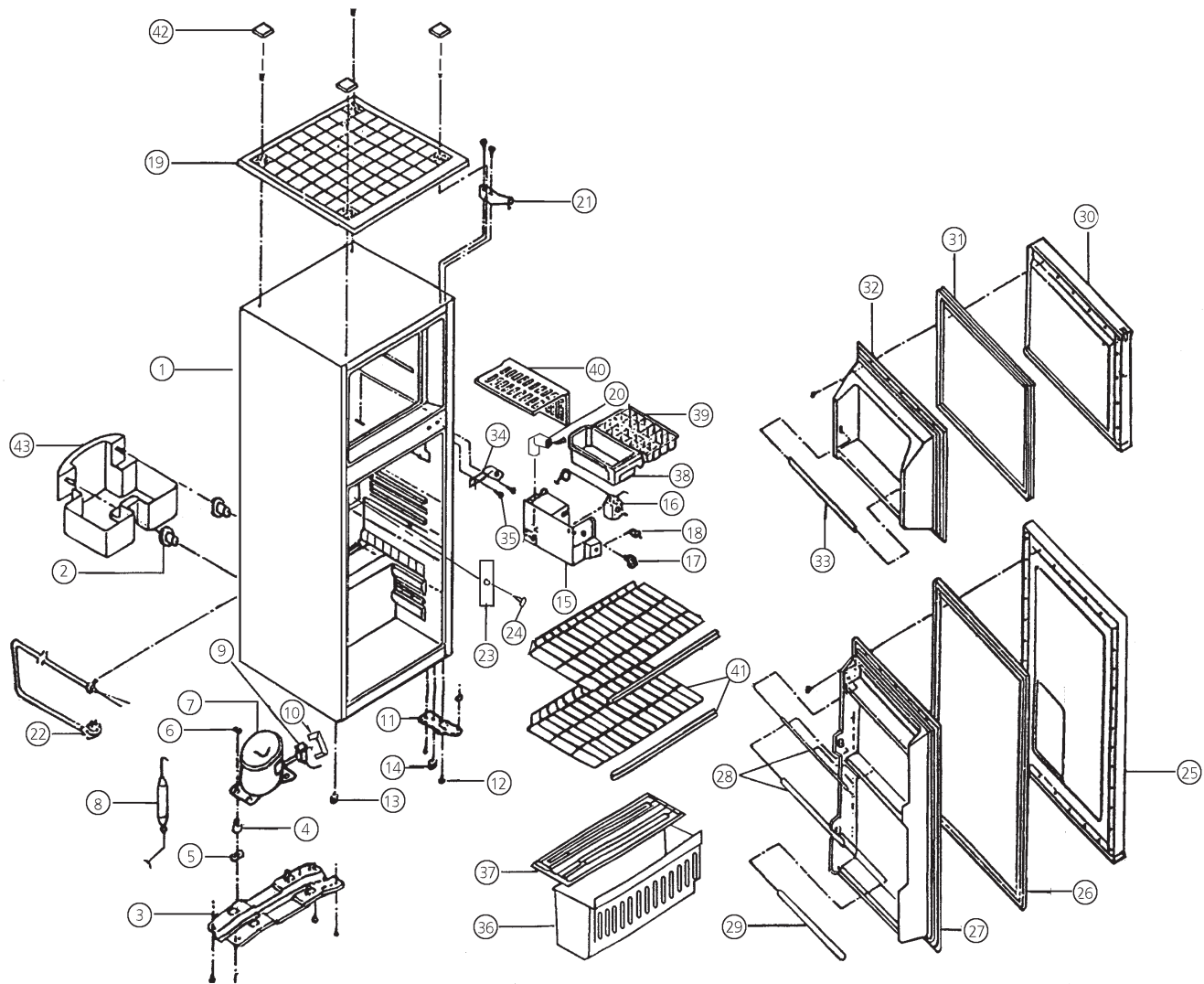
NO	COLOR CHIP	COLOR NAME
1		P/WITH (WH069)
2		'94 L/GRAY (GY158)
3		'95 L/GRAY (GY259)
4		'94 M/GRAY (GY331)
5		'95 M/GRAY (GY335)
6		'97 M/GRAY (GY267)
7		M. D/GRAY (GY750)
8		N/BUE (BL718)
9		MINT GREEN (GN206)
10		'97 BEIGE (BE215)

2. Lamina sheet type

NO	COLOR CHIP	COLOR NAME
1		P/WITH (WH069)
2		'94 L/GRAY (GY158)
3		'95 L/GRAY (GY259)
4		'94 M/GRAY (GY331)
5		'95 M/GRAY (GY335)
6		'97 M/GRAY (GY267)
7		M. D/GRAY (GY750)
8		N/BUE (BL718)
9		MINT GREEN (GN206)
10		S/GOLD
11		G/GREEN

9. EXPLODED VIEW AND PARTS LIST

1. Exploded view



2. Parts list

FR-170

NO	PART CODE	PART NAME	DESCRIPTION	QUANTITY	REMARK
1		ASSY URT CAB		1	
2	4018R30323	FIXTURE BOILD	PE-HD	2	
3	3010302420	BASE COMP		1	
4	4001E09013	ABSORBER COMP	NR-A	4	
5	4001E09021	WASHER SPECL	SPG T0.6	4	
6	4001E09030	WASHER SPECL	SPG T1.0	4	
7		COMPRESSOR		1	REFER TO # 7
8		DRYER AS		1	REFER TO # 7
9		SWITCH P RELAY AS		1	REFER TO # 7
10	3816100100	RELAY BAND	SK-5 0.7T ZN-3-A	1	
11	4017L51001	HINGE *U	T2.4	1	
12	7650602011	BOLT HEX	6B-1 6 X20 HS MFZN	2	
13	4017L32521	FOOT ADJ (L)	PP (JI-360)	1	
14	4017L32532	FOOT ADJ (R)	PP (JI-360)	1	
15	4018R72117	BOX CONTL		1	
16	3018110410	SWITCH CONTL AS	K-11DC M-151	1	
17	4005G70910	KNOB C/S	ABS	1	
18	4018R16002	SWITCH DR		1	
19	4017L58016	TABLE BOARD	ABS	1	
20	3012703131	HARNESS LAMP SOKT	MFG (151 UL)	1	
21	4017L51304	HINGE *T AS	SPHC T2.3	1	
22		CORD POWER AS		1	REFER TO # 8
23	3012000001	FIXTURE SENS	PE	1	
24	3016003900	SUS BOLT	SUS 304 T1 TRS 4 X12	1	
25		ASSY URT *U DOOR		1	REFER TO # 9
26	4017L47201	GASKET R DR AS	ROUND DR	1	
27	4017L37018	LINER R DR	ABS	1	
28	4017L37111	POCKET BAR L	PVC-H	2	
29	4017J37132	POCKET BOLT	PVC-H, L379	1	
30		ASSY URT *T DOOR		1	REFER TO # 9
31	4018R47100	GASKET F DR AS	ROUND DR	1	
32	4018R45112	LINER F DR	ABS	1	
33	4018R45012	POCKT BAR *T DR	PVC-H	1	
34	4018R51001	HINGE *M AS		1	
35	3016000210	SPECIAL SCREW	M5 X16 SWCH22A	2	
36	4017L30612	CASE VEGTB	HC-2	1	
37	4018R30421	COVER V/CASE	GP25SP	1	
38	4017Z99112	CASE ICE	HC-2	1	
39	4002A30420	CASE ICING	PE-HD	1	
40	4018R30453	SHELF F	PP	1	
41	3017803900	SHELF AS	SHELF+DEC	2	
42	4017L58020	COVER TB		4	
43	4018R30313	CASE VAPORI	PP	1	

FR-171

NO	PART CODE	PART NAME	DESCRIPTION	QUANTITY	REMARK
1		ASSY URT CAB		1	
2	4018R30323	FIXTURE BOILD	PE-HD	2	
3	3010302420	BASE COMP		1	
4	4001E09013	ABSORBER COMP	NR-A	4	
5	4001E09021	WASHER SPECL	SPG T0.6	4	
6	4001E09030	WASHER SPECL	SPG T1.0	4	
7		COMPRESSOR		1	REFER TO # 7
8		DRYER AS		1	REFER TO # 7
9		SWITCH P RELAY AS		1	REFER TO # 7
10	3816100100	RELAY BAND	SK-5 0.7T ZN-3-A	1	
11	3012903640	HINGE *U	T2.4	1	
12	7650602011	BOLT HEX	6B-1 6 X 20 HS MFZN	2	
13	4017L32521	FOOT ADJ (L)	PP (JI-360)	1	
14	4017L32532	FOOT ADJ (R)	PP (JI-360)	1	
15	4018R72117	BOX CONTL		1	
16	3018110410	SWITCH CONTL AS	K-11DC M-151	1	
17	4005G70910	KNOB C/S	ABS	1	
18	4018R16002	SWITCH DR		1	
19	4017L58019	TABLE BOARD	ABS	1	
20	3012703131	HARNESS LAMP SOKT	MFG (151 UL)	1	
21	3012903670	HINGE *T AS	SPHC T2.3	1	
22		CORD POWER AS		1	REFER TO # 8
23	3012000001	FIXTURE SENS	PE	1	
24	3016003900	SUS BOLT	SUS 304 T1 TRS 4 X 12	1	
25		ASSY URT *U DOOR		1	REFER TO # 9
26	3012302650	GASKET R DR AS	ROUND DR	1	
27	3017405910	LINER R DR	ABS 1.4 X 515 X 850	1	
28	4017L37111	POCKET BAR L	PVC-H	2	
29	4017J37132	POCKET BOLT	PVC-H, L379	1	
30		ASSY URT *T DOOR		1	REFER TO # 9
31	3012302640	GASKET F DR AS	ROUND DR	1	
32	3017405920	LINER F DR	ABS 1.4 X 515 X 365	1	
33	4018R45012	POCKT BAR *T DR	PVC-H	1	
34	3012903710	HINGE *M AS		1	
35	3016000210	SPECIAL SCREW	M5 X 16 SWCH22A	2	
36	4017L30612	CASE VEGTB	HC-2	1	
37	4018R30421	COVER V/CASE	GP25SP	1	
38	4017Z99112	CASE ICE	HC-2	1	
39	4002A30420	CASE ICING	PE-HD	1	
40	4018R30453	SHELF F	PP	1	
41	3017803900	SHELF AS	SHELF+DEC	2	
42	4017L58020	COVER TB		4	
43	4018R30313	CASE VAPORI	PP	1	